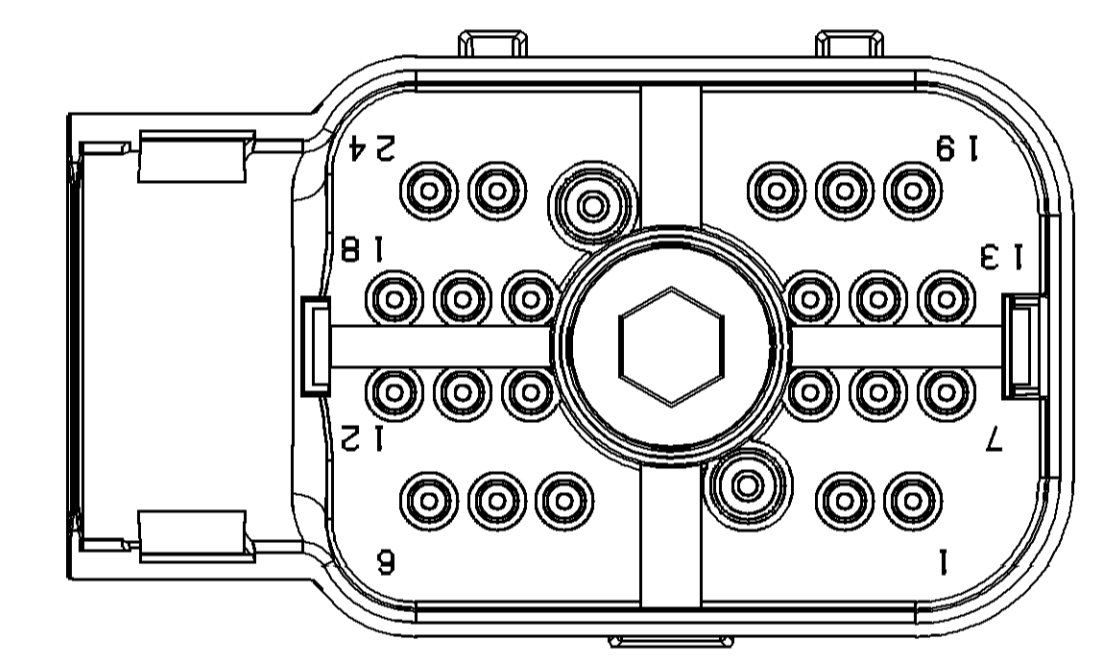
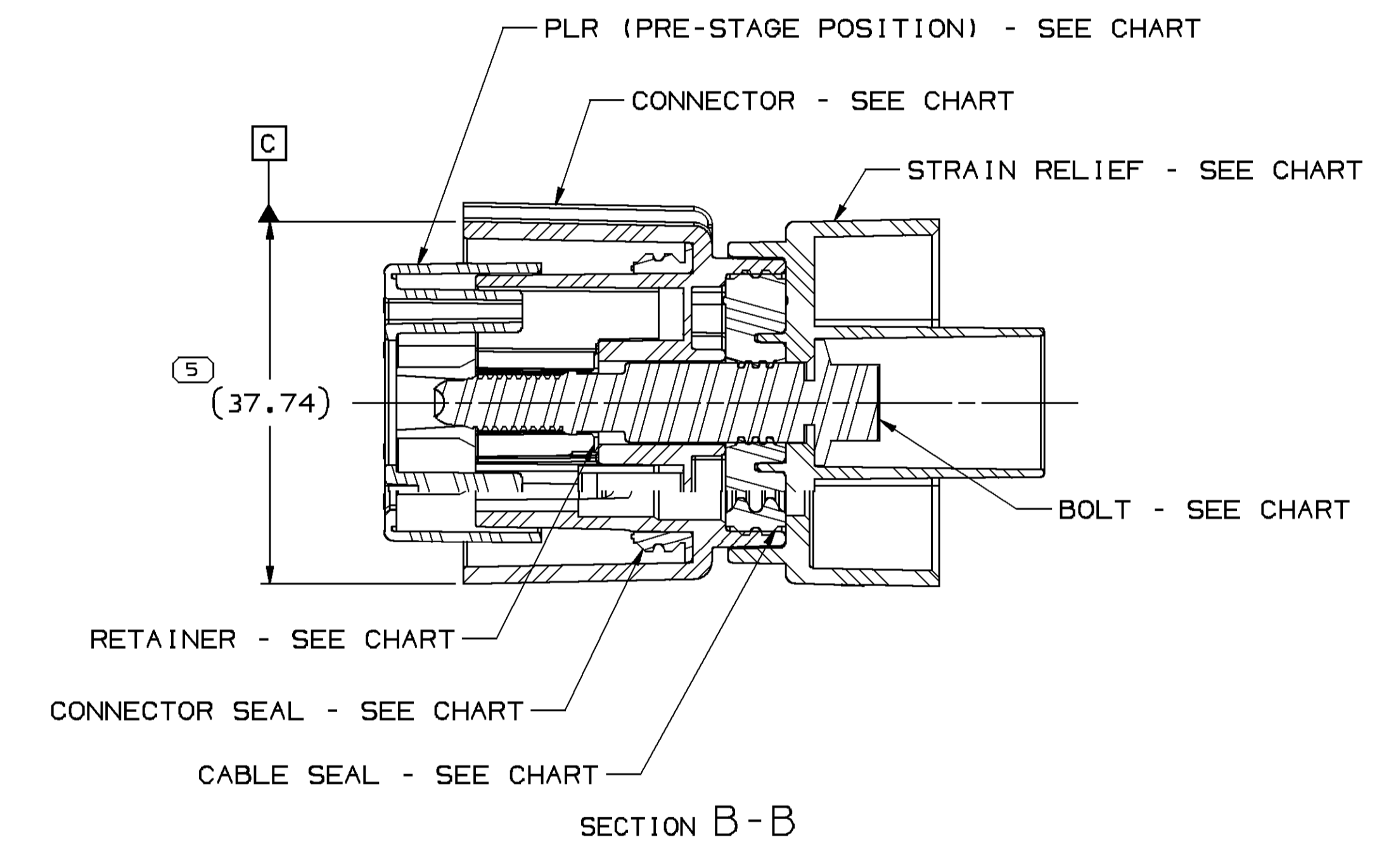
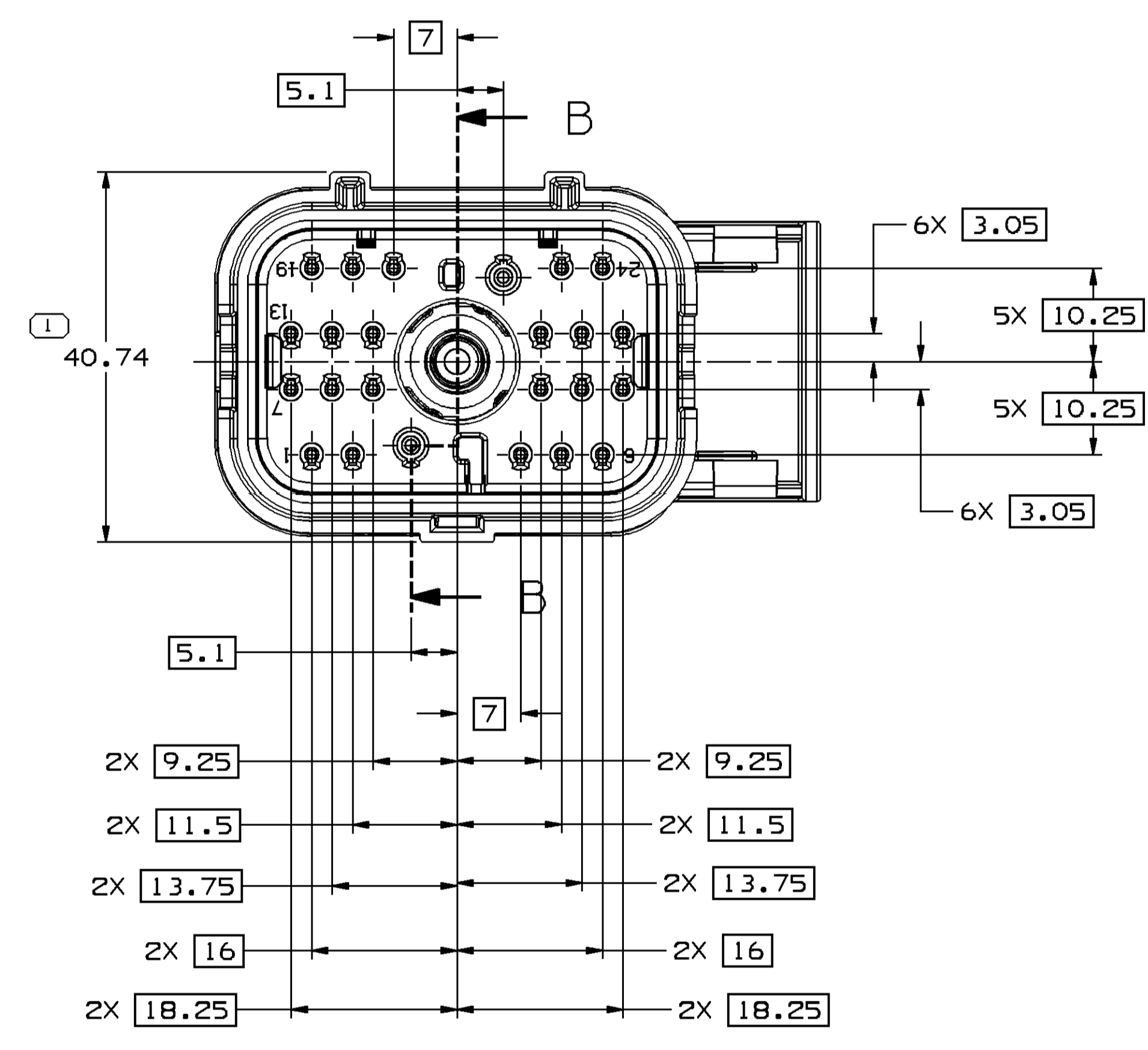
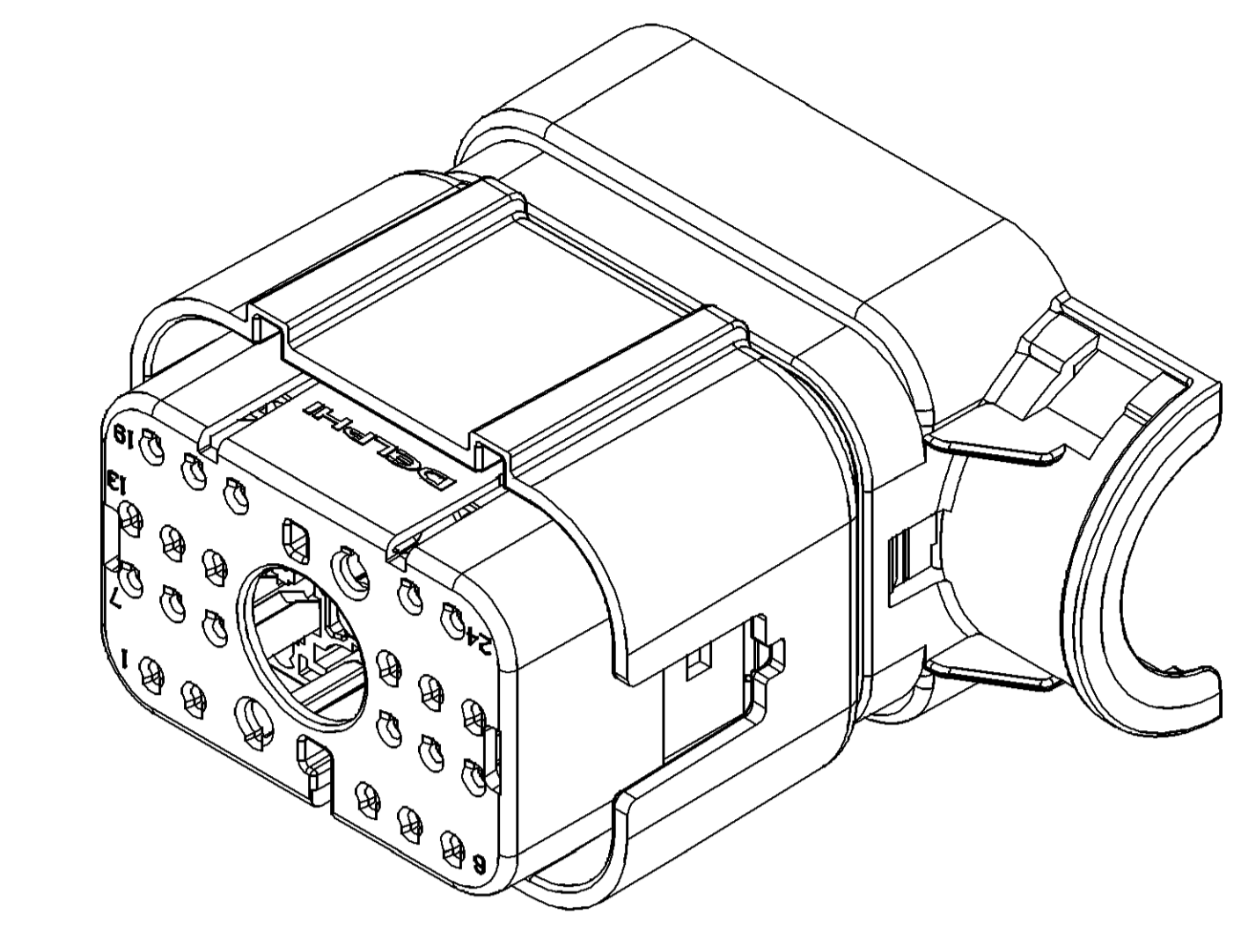
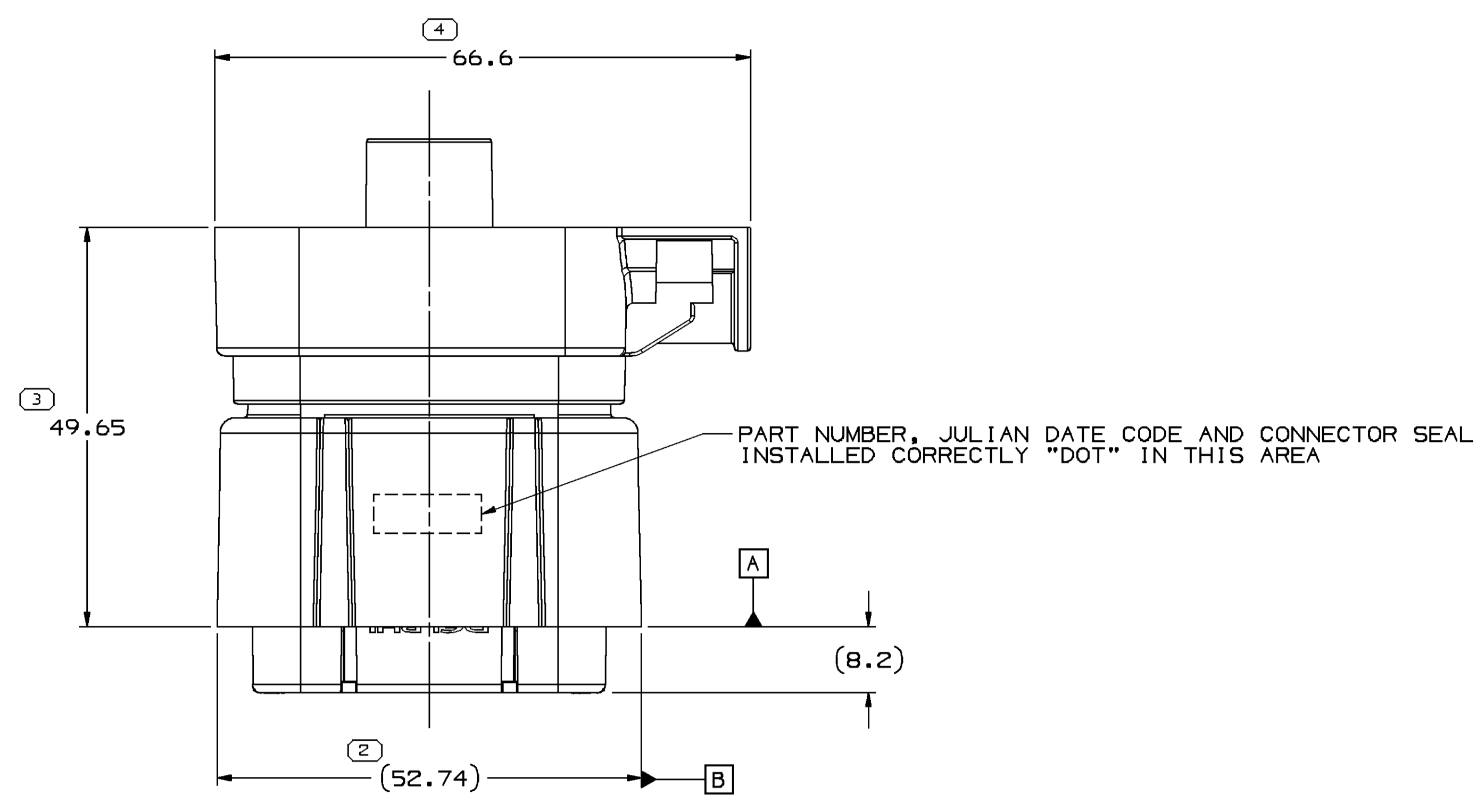


SYMBOL DEFINITION		MISSING SYMBOLS	
A DIMENSION WITHOUT AN INSPECTION REPORT SYMBOL () DOES NOT REQUIRE INSPECTION. IT MAY BE CONTROLLED ON THE INDIVIDUAL COMPONENT DRAWING.	TOTAL NO OF INSPECTIONS REQUIRED	NO MISSING SYMBOL NUMBER	
	5		
	LAST NO. USED		
	5		

DATE	STG	REV	W/P	CHG	ZONE	REVISION HISTORY	AUTH	DR	APVD	APV2
12JAN11	R	01	-	-		WAS PE197511 AND RELEASED	412659	BLJ	BLJ	CSD
22MR11	R	02	-	-		UPDATED PDM ATTRIBUTES	413251	JLJ	JLJ	CSD
14FE13	R	02	AA	-		ADDED P/N AND DATED CODE LABEL	421453	DMC	DMC	MR
06SE13	R	02	AB	-		ADDED "ENGAGE/DISENGAGE" PERFORMANCE REQUIREMENT NOTE	423752	JLP	JLP	MR
17SE13	R	02	AC	-		ADDED RECOMMENDED BOLT TORQUE NOTE	423858	JLP	JLP	MR



NOTES

- UNLESS OTHERWISE SPECIFIED AND/OR INDICATED:
DIMENSIONS ARE TO FACE OF VIEW SHOWN AND AUTOMATICALLY ROUNDED BY COMPUTER FOR INSPECTION (SEE MATH MODEL FOR PRECISE DIMENSIONS). FOR ALL OTHER DIMENSIONS NOT SHOWN BUT REQUIRED FOR TOOL BUILD, SEE MATH MODEL FOR PRECISE TOOL PATH DATA.
- THIS PRODUCT IS NOT CATEGORIZED AS AN APPEARANCE ITEM, MINOR IMPERFECTIONS INCLUDING, BUT NOT LIMITED TO, FLOW MARKS, COLOR BLEMISHES, GATE VESTIGE, AND SOFT FLASH THAT DO NOT AFFECT THE FIT, FORM, OR FUNCTION OF THE PART ARE PERMISSIBLE PER DPNP-4.7-CS-01.
- (2.3)X(0.1) DELPHI CORPORATE BRAND TO BE LOCATED ON ANY EXTERIOR SURFACE, PREFERABLY VISIBLE AT FINAL ASSEMBLY. OPTIONAL CONSTRUCTION FOR EXISTING TOOLING MAY BE "PED" OR NO LOGO.
- FOR APPLICATION DATA SEE THE APPLICATION DRAWING.
- PART NUMBER AND DATE STAMP MUST BE MARKED ON OUTSIDE OF CONNECTOR.
- CONNECTOR ASSEMBLY ACCEPTS 19MM CONDUIT.
- THIS CONNECTION MEETS OR EXCEEDS SAE/USCAR-2 R5 11/01/2007, SECTION 5.4.5 MISCELLANEOUS COMPONENT ENGAGE/DISENGAGE FORCE: ENGAGE PLR PRE-STAGE TO FINAL POSITION WITH TERMINALS REVISED LIMIT $\leq 87N$ AND DISENGAGE PLR FROM FINAL POSITION TO PRE-STAGE POSITION WITH TERMINALS REVISED LIMIT $\leq 205N$.
- RECOMMENDED BOLT TORQUE: $2.5 \pm 0.5 Nm$.

13844128	13844129	15492512	13844131	13844130	13844133	15488665	13844132
PART NO	CONNECTOR	RETAINER	PLR	CONNECTOR SEAL	STRAIN RELIEF	BOLT	CABLE SEAL

DIMENSIONAL RANGE (MM)		CHART E1	
FROM	> 0	> 20	> 30
TO	20	30	70
TOLERANCE UNLESS OTHERWISE SPECIFIED		ANGULAR TOLERANCE $\pm 2^\circ$	
UNLESS OTHERWISE SPECIFIED		USE MATH DATA	
THIRD ANGLE PROJECTION		DO NOT SCALE	
ALL DIMENSIONS ARE IN MILLIMETERS		REFERENCE	

DELPHI
CORPORATION
TROY, MI 48060
COPYRIGHT 2011 DELPHI CORPORATION AND/OR ITS AFFILIATES. ALL RIGHTS RESERVED.
THIS DRAWING IS THE PROPERTY OF DELPHI CORPORATION AND CONTAINS DELPHI CONFIDENTIAL INFORMATION. THE REPRODUCTION, DISTRIBUTION AND UTILIZATION OF THIS DOCUMENT OR ITS CONTENTS TO ANY OTHERS, WITHOUT EXPRESS AUTHORIZATION, IS PROHIBITED.

DR	DATE
APV01 G. LOPEZ G.	12JAN11
APV02 G. LOPEZ G.	12JAN11
APV03 C. DEPROFIO	13JAN11
APV04	
APV05	

SUBSTANCES OF CONCERN AND RECYCLED CONTENT, PER DELPHI (0944901)

MATERIAL: SEE DRAWING

DRAWING NAME: ASM CONN 24 F HD-V SLD

DRAWING NUMBER: 13844128

SIZE	SCALE	FRAME NO	SHEET NO	REV	W/P
A0	2:1	1 OF 1	1 OF 1	R	02 AC