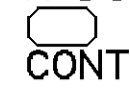
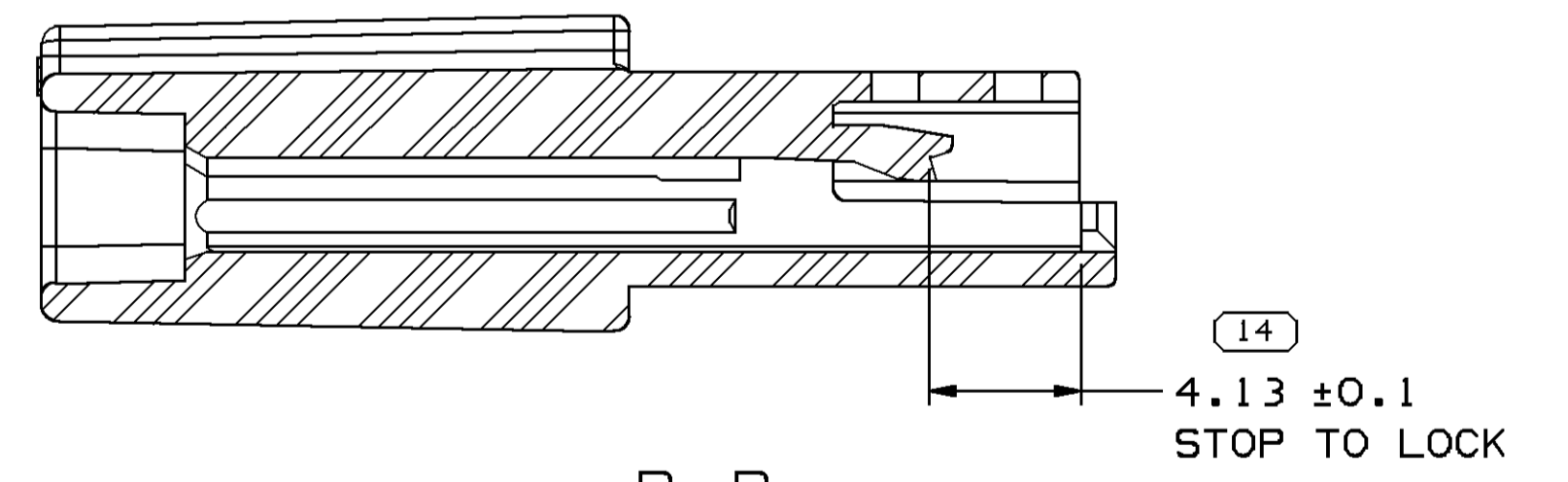
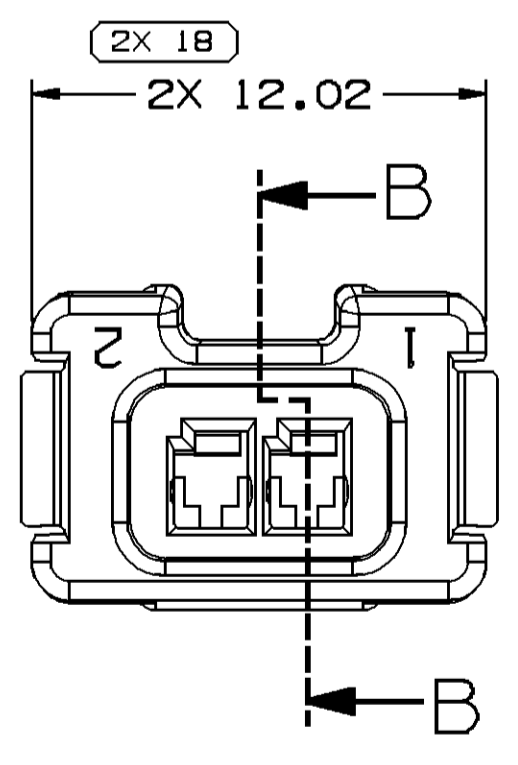
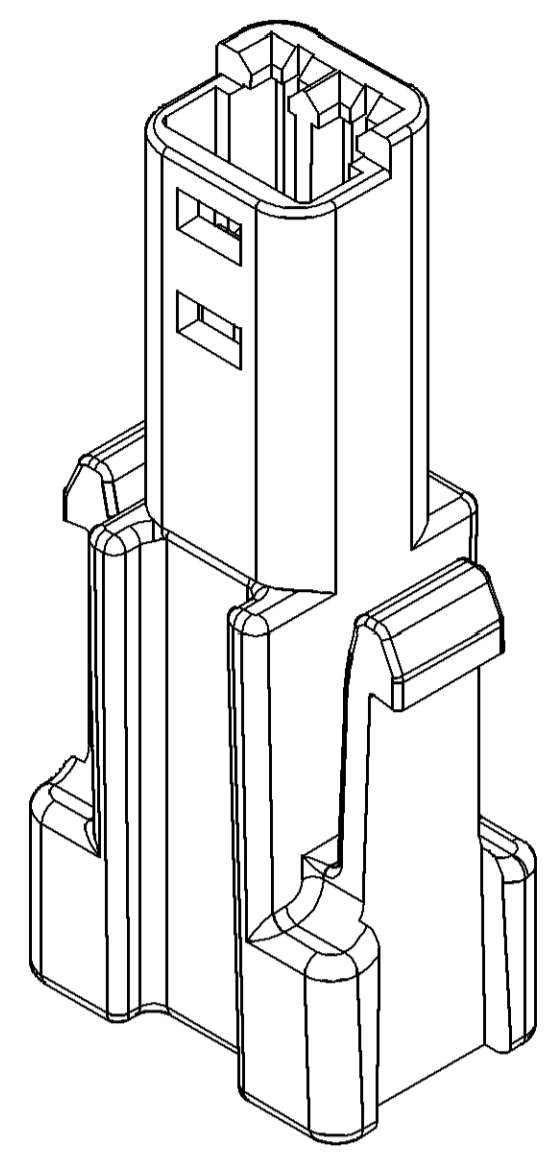
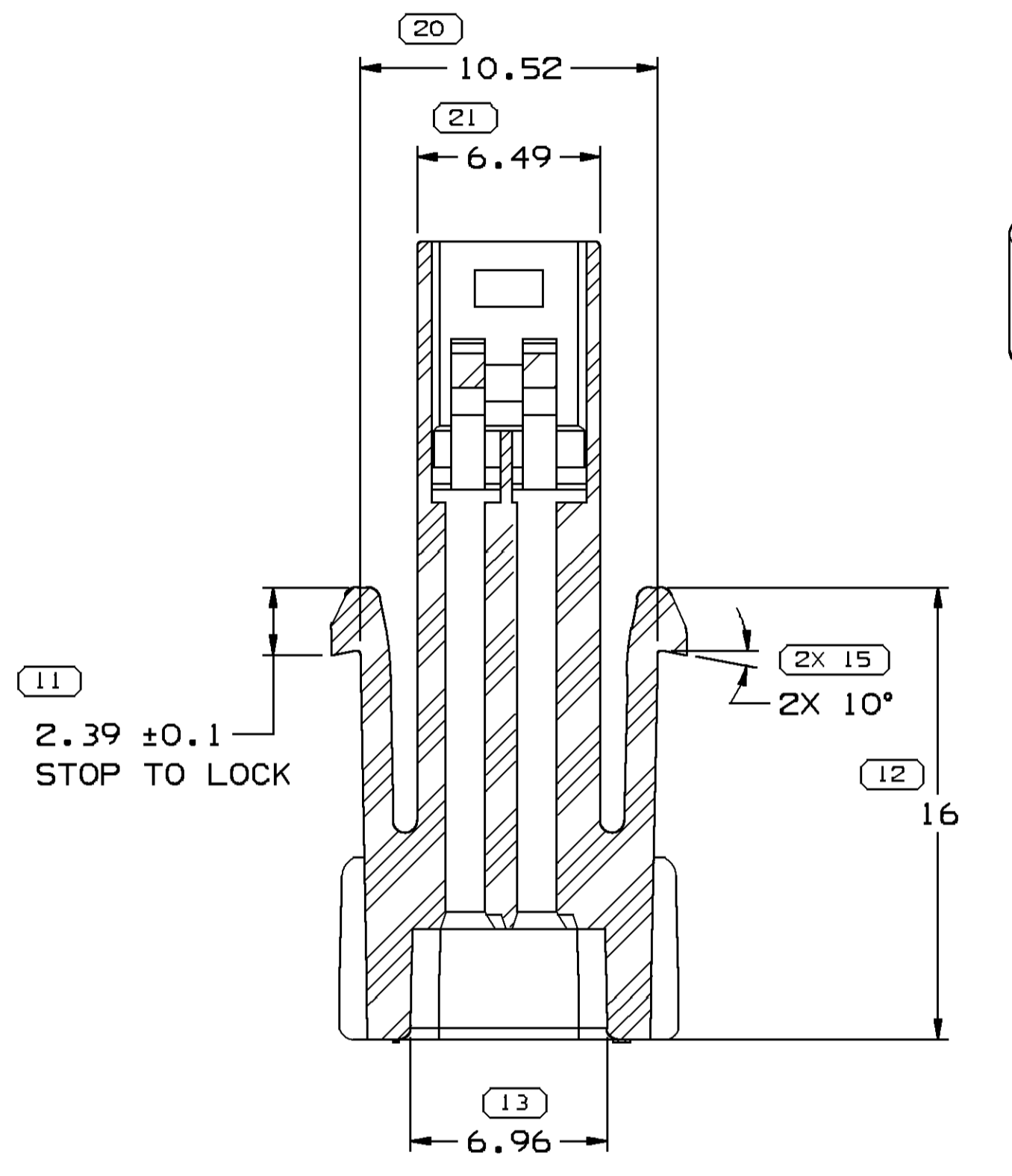
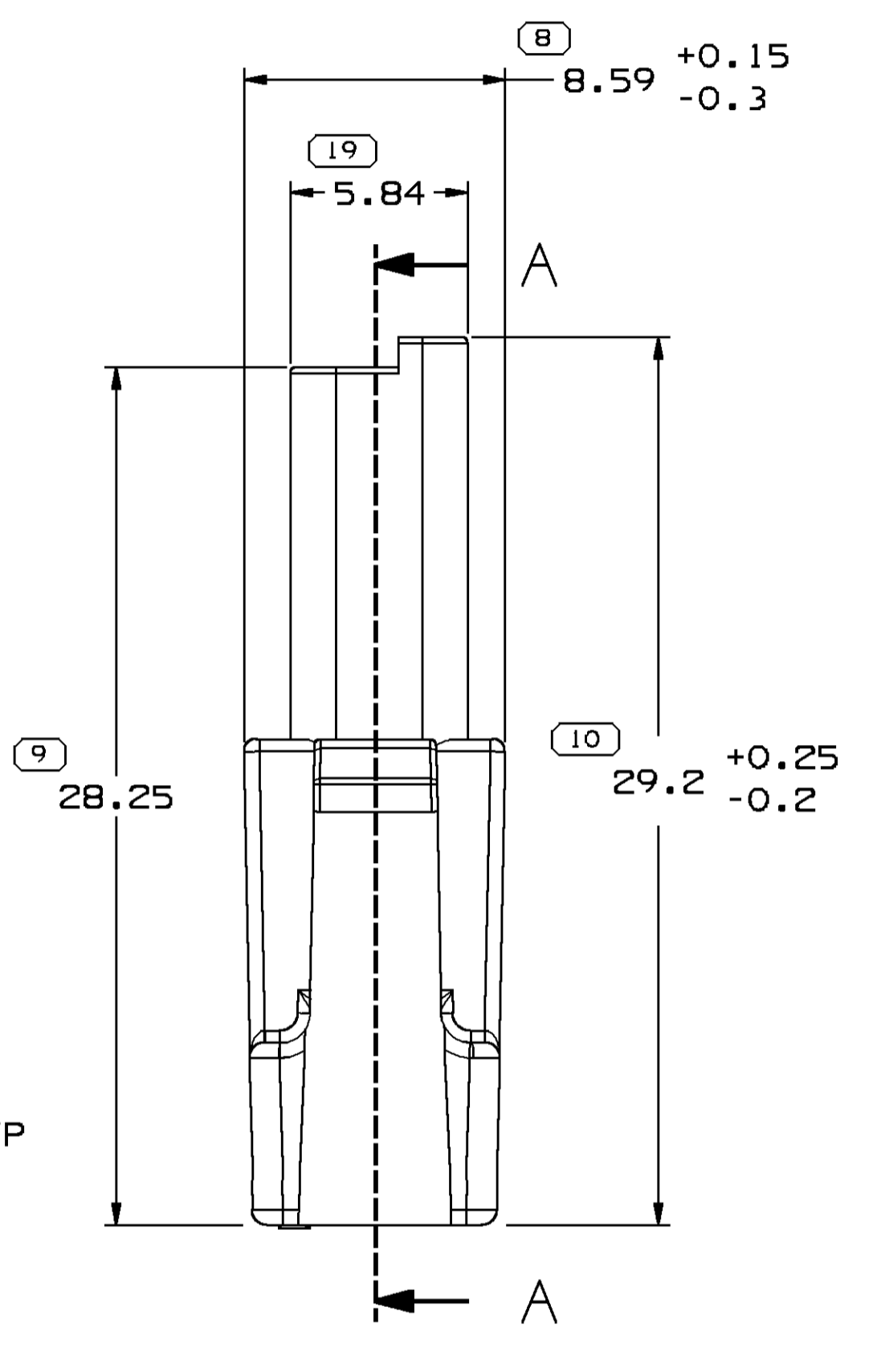
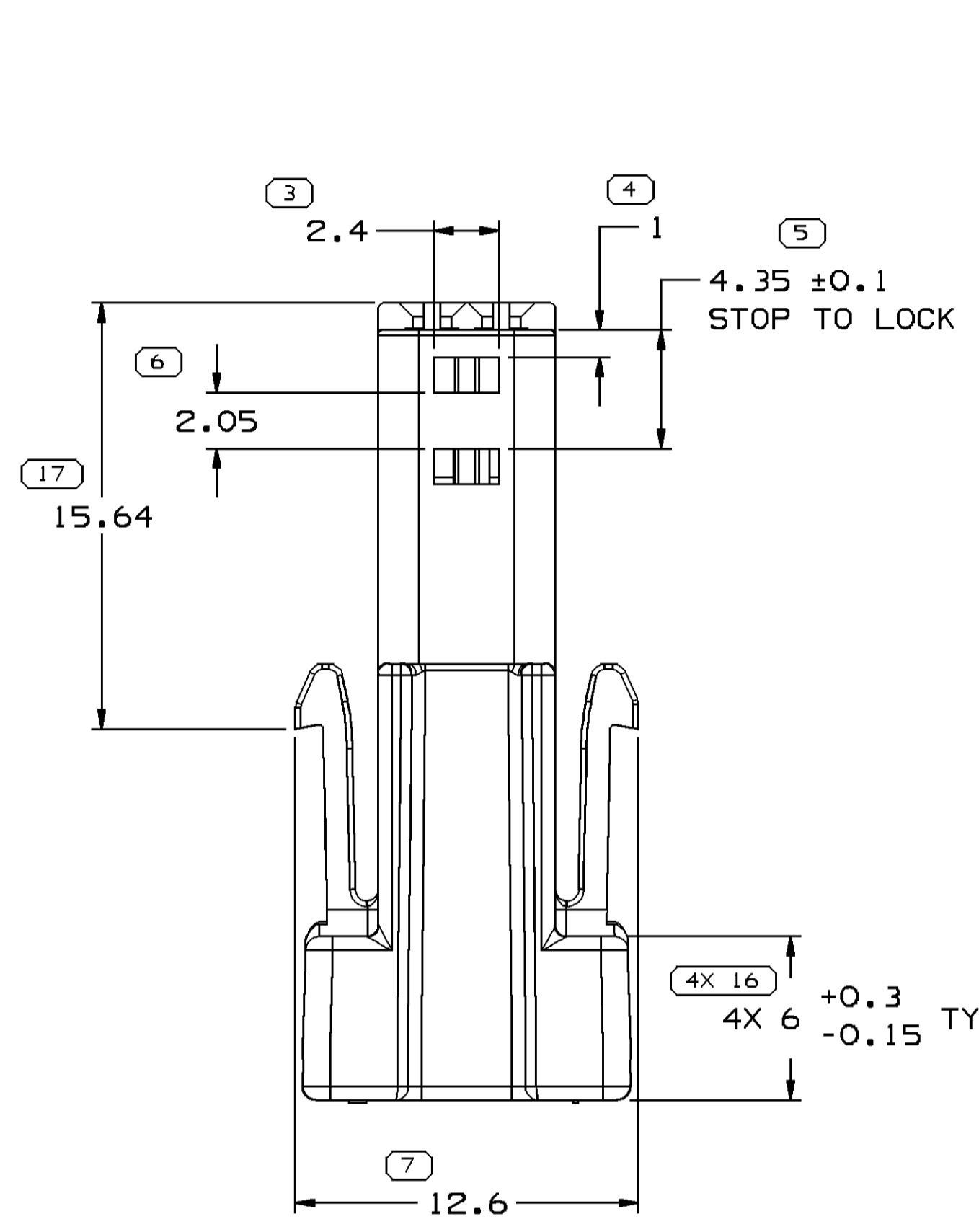
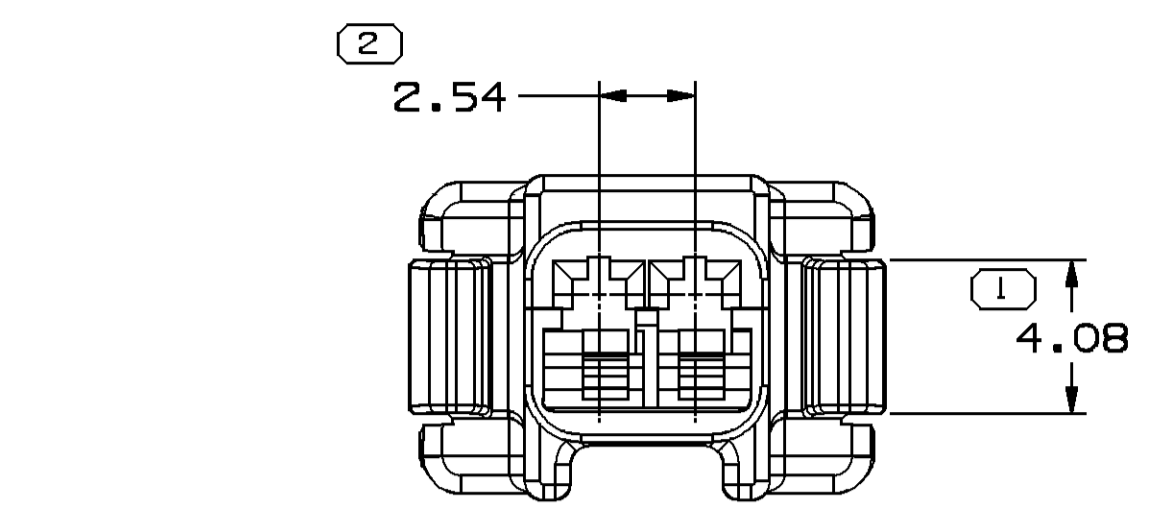


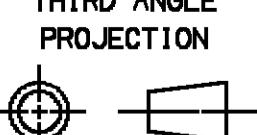
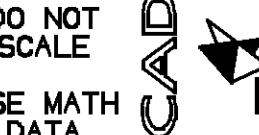

SYMBOL DEFINITION		MISSING SYMBOLS	
A DIMENSION WITHOUT AN INSPECTION REPORT SYMBOL  DOES NOT REQUIRE INSPECTION. IT MAY BE CONTROLLED ON THE INDIVIDUAL COMPONENT DRAWING.	TOTAL NO OF INSPECTIONS REQUIRED	NO MISSING SYMBOL NUMBER	26
	LAST NO. USED		21

DWG STATUS					REVISION HISTORY				AUTH	DR	APVD1	APVD2
DATE	STG	REV	N/P	CHG	ZONE							
30SE10	R	01	-	-		RELEASED		412145	TSH	TSH	RAB	
09FE11	R	01	AA			RELOCATED DIM #16 AND REVISED TOLERANCE		413238	ESC	ESC	TM	
22MR11	R	01	AB			8.59 +0.15/-0.3 WAS 8.59 AND 29.2 +0.25/-0.2 WAS 29.2		413691	AJP	JVM	TM	
27JL11	R	01	AC			ADDED CAVITY NUMBERS		414930	HC9	HC9	TM	
03NO11	R	02	-	-		REVISED CAVITY IDENTIFICATION		416037	CM	CM	TM	
16JA12	R	02	AA			ADDED NOTE #4		416755	BCK	BCK	TAM	
15FE12	R	02	AB			DRAWING NAME WAS CONN 2 F MICRO HVT 1.2		417071	JEG	JEG	JRV	



- NOTES**
- UNLESS OTHERWISE SPECIFIED AND/OR INDICATED:
DIMENSIONS ARE TO FACE OF VIEW SHOWN AND AUTOMATICALLY ROUNDED BY COMPUTER FOR INSPECTION (SEE MATH MODEL FOR PRECISE DIMENSIONS). FOR ALL OTHER DIMENSIONS NOT SHOWN BUT REQUIRED FOR TOOL BUILD, SEE MATH MODEL FOR PRECISE TOOL PATH DATA.
 - THIS PRODUCT IS NOT CATEGORIZED AS AN APPEARANCE ITEM, MINOR IMPERFECTIONS INCLUDING, BUT NOT LIMITED TO, FLOW MARKS, COLOR BLEMISHES, GATE VESTIGE, AND SOFT FLASH THAT DO NOT AFFECT THE FIT, FORM, OR FUNCTION OF THE PART ARE PERMISSIBLE PER DPNP-4.7-CS-01.
 - FOR APPLICATION DATA SEE THE APPLICATION DRAWING.
 - TERMINAL/CONNECTOR INSERTION W/PLR FULLY SEATED IS ≥ 16.5 N

DIMENSIONAL RANGE (MM)		CHART E1	
FROM	TO	> 0	> 300
> 0	> 20	> 30	> 100
> 20	> 30	> 70	> 150
> 30	> 70	> 100	> 200
> 70	> 100	> 150	> 250
> 100	> 150	> 200	> 300
> 150	> 200	> 250	> 400
TOLERANCE UNLESS OTHERWISE SPECIFIED		±0.15	±0.2
ANGULAR TOLERANCE		±0.3	±0.4
		±0.5	±0.6
		±0.8	±1
		±1	±1.2

DWG TYPE PART DRAWING	
STYLE	
VOLUME (CPI) 1.108	DISTR CODE D
UNLESS OTHERWISE SPECIFIED THIS DOCUMENT IS IN ACCORDANCE WITH ASME Y14.5M-1994 AS AMENDED BY THE GM GLOBAL DIMENSIONING AND TOLERANCING ADDENDUM-2001. SEPARATE PATTERNS OF FEATURES MAY BE GAGED SEPARATELY REGARDLESS OF DATUM REFERENCES.	
ALL DIMENSIONS ARE IN MILLIMETERS	
REFERENCE	
THIRD ANGLE PROJECTION	DO NOT SCALE
	
USE MATH DATA	

DELPHI
DELPHI PACKARD ELECTRICAL/ELECTRONIC ARCHITECTURE
WARREN, OH

DR	DATE
APVD1 THOMAS HUDA	30SE10
APVD2 THOMAS HUDA	30SE10
APVD3 RONALD BALDWIN	010C10
APVD4	
APVD5	
SUBSTANCES OF CONCERN AND RECYCLED CONTENT PER DELPHI 10949001	
MATERIAL W4629012 PLAS PBT 0F20 0RA LT	
DRAWING NAME CONN 2 F OCS 1.2	
DRAWING NUMBER 13848934	
SIZE A1	SCALE 5:1
FRAME NO 1 OF 1	SHEET NO 1 OF 1
STG R	REV 02
N/P AB	