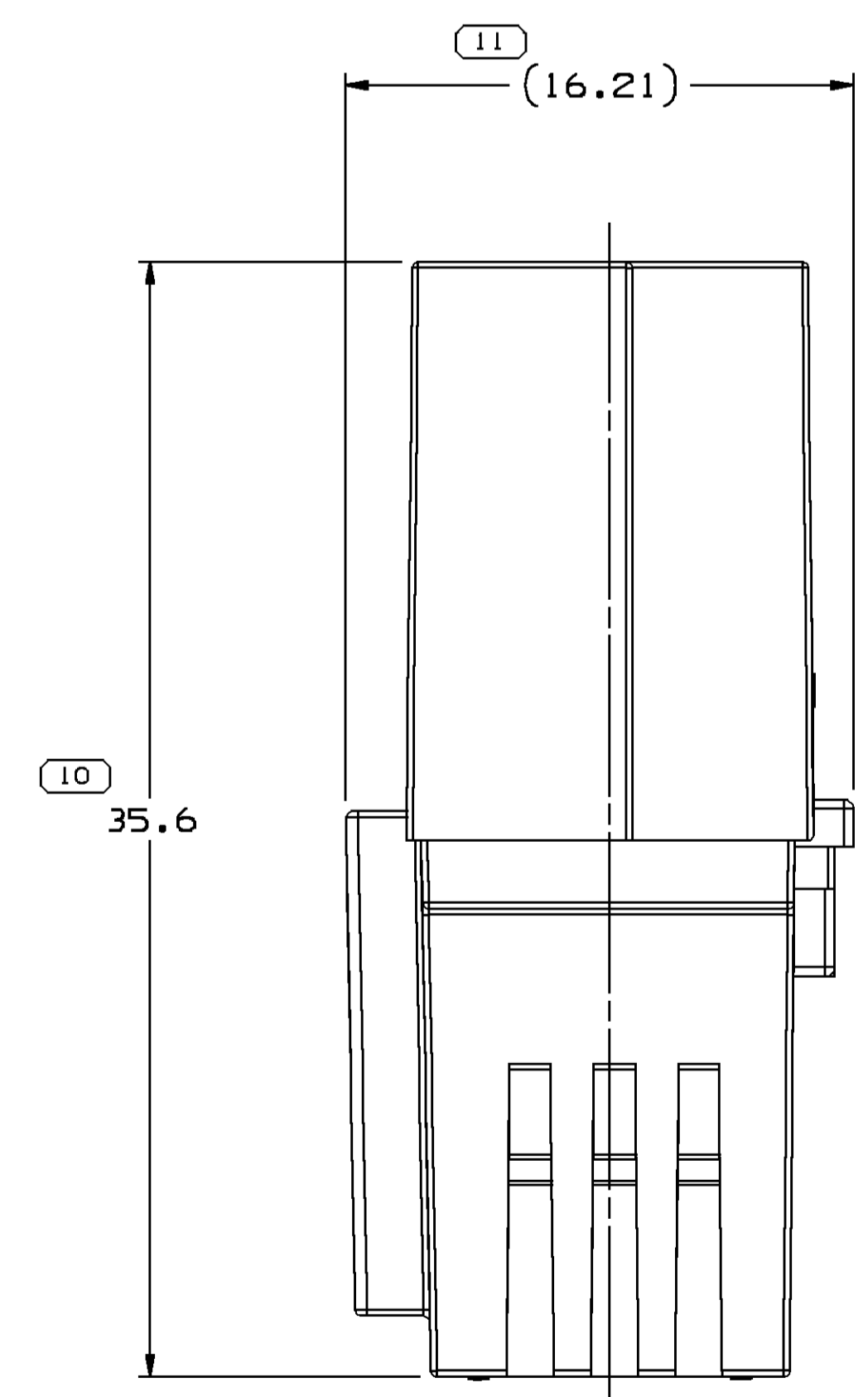
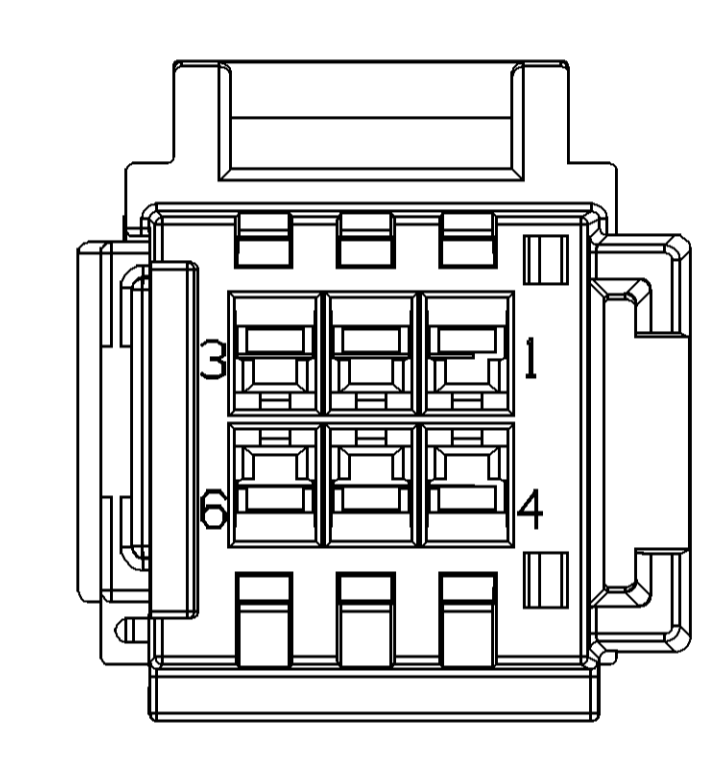
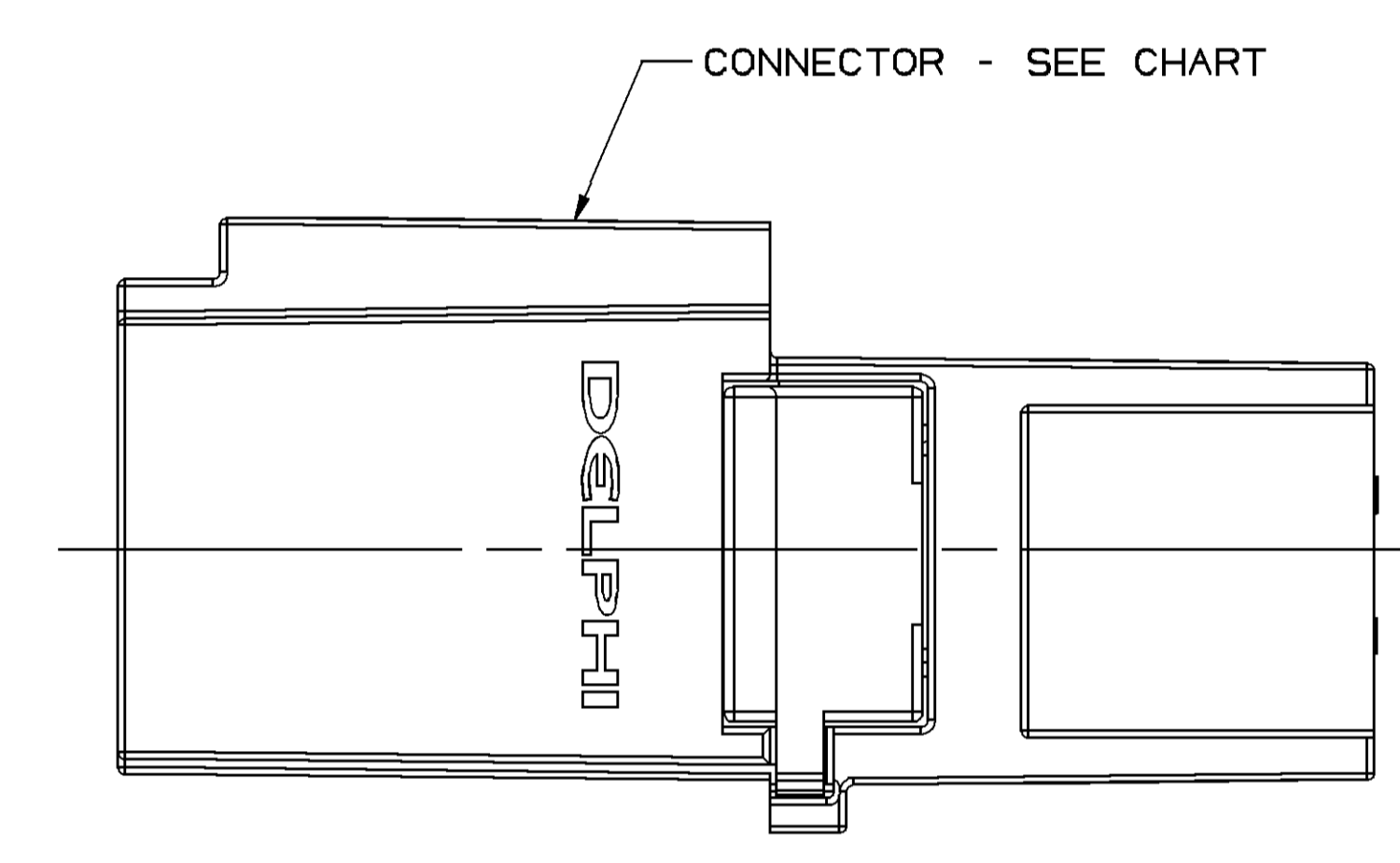
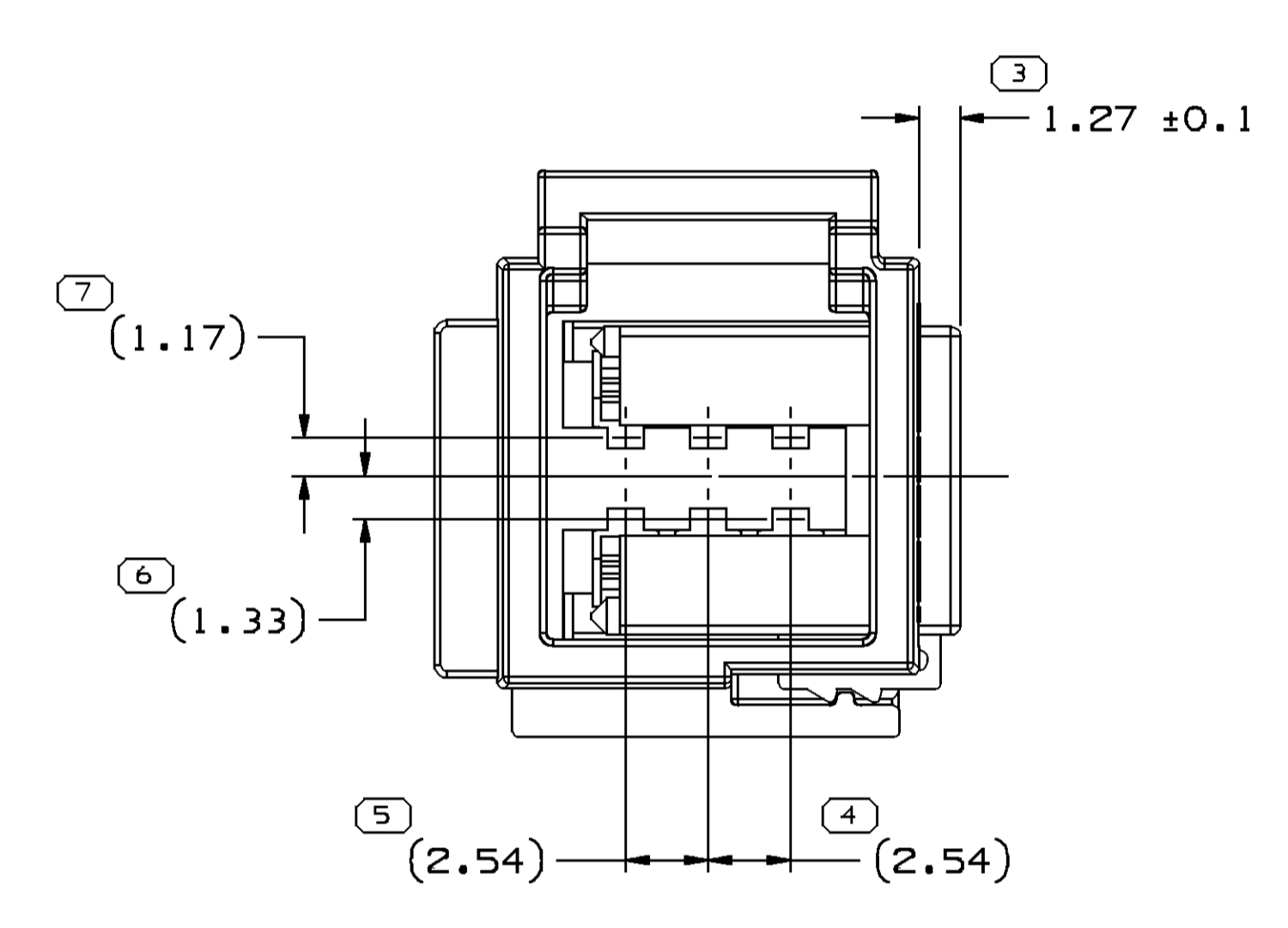
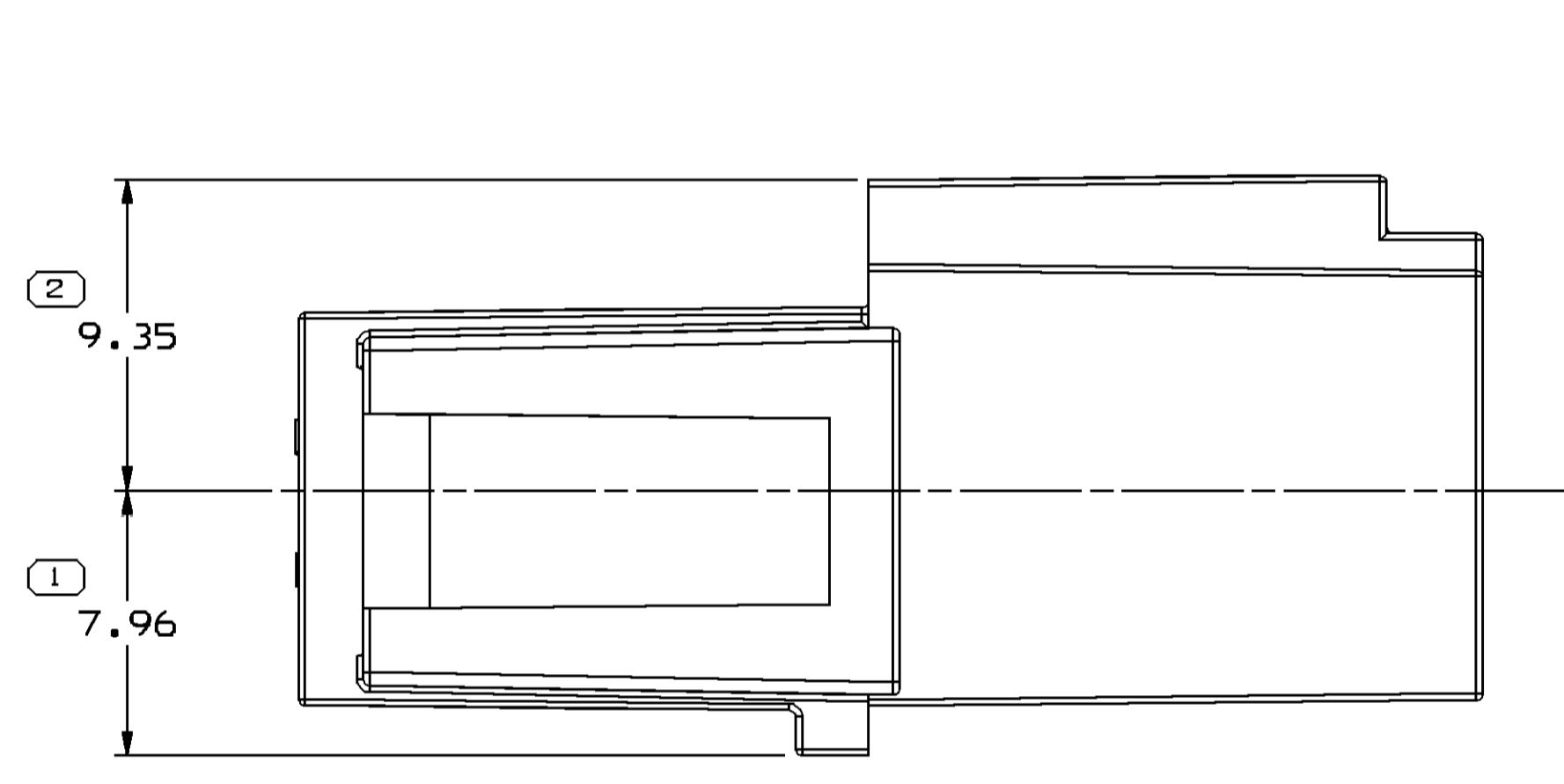
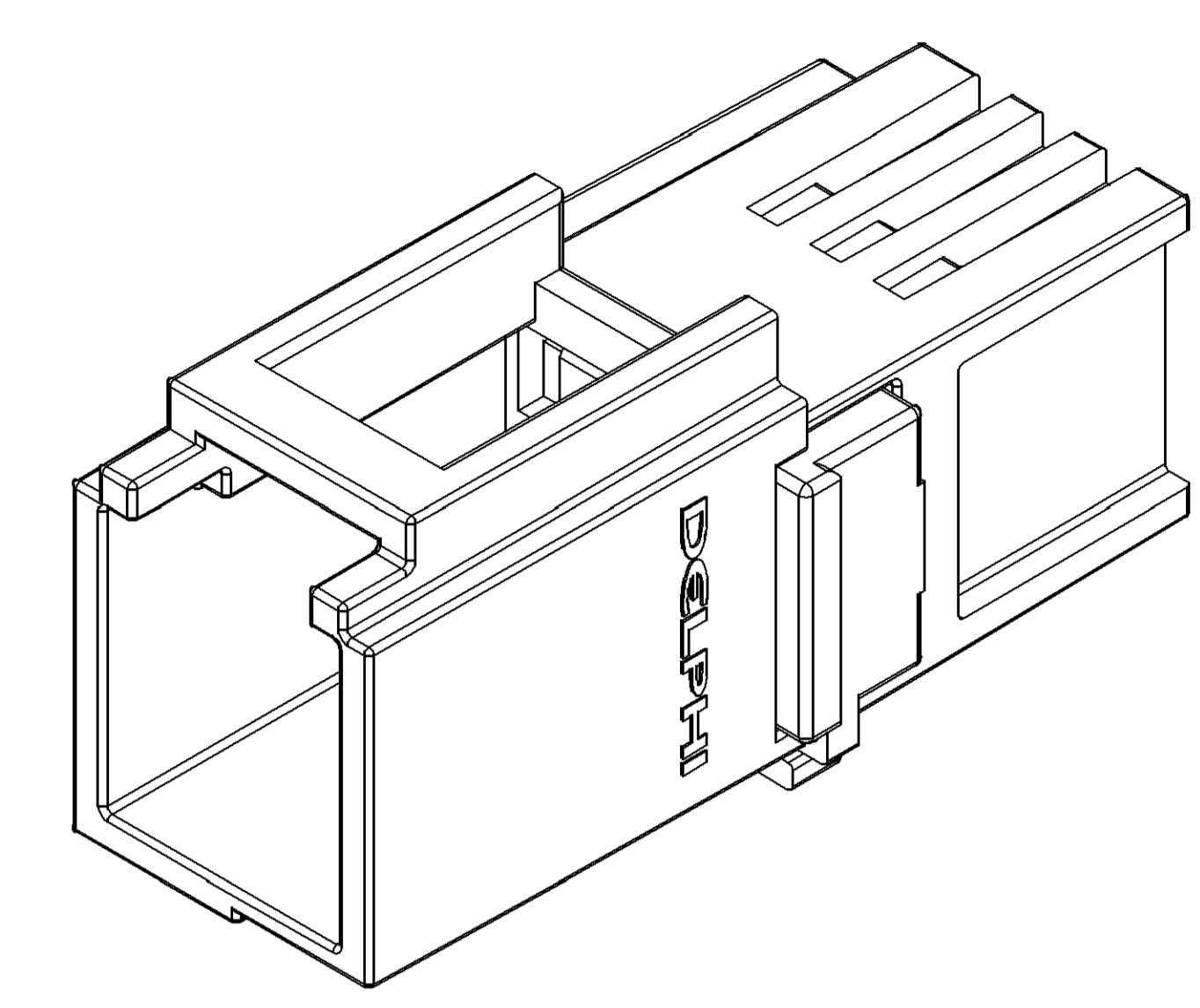
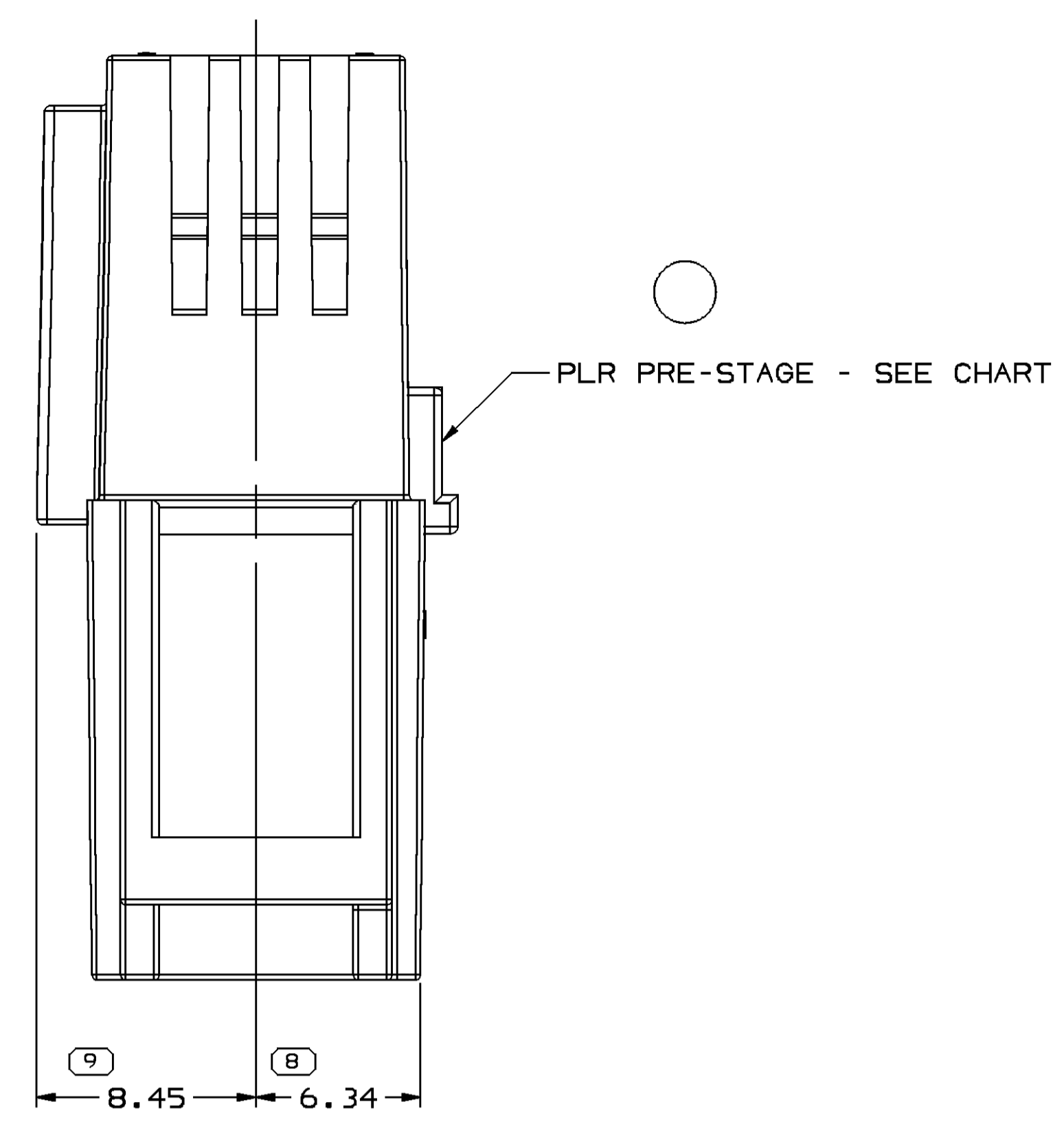


SYMBOL DEFINITION		MISSING SYMBOLS	
A DIMENSION WITHOUT AN INSPECTION REPORT SYMBOL DOES NOT REQUIRE INSPECTION. IT MAY BE CONTROLLED ON THE INDIVIDUAL COMPONENT DRAWING.	TOTAL NO OF INSPECTIONS REQUIRED	NO MISSING SYMBOL NUMBER	
	11		
	LAST NO. USED		
	11		

DWS STATUS						REVISION HISTORY			AUTH	DR	APVD	APV2
DATE	STG	REV	W/P	CHG	ZONE							
14MY12	R	01	-	-		CREATED PART DRAWING			418185	CFH	MMC	MMC
28NO12	R	02	-	-		REVISED CONN. CHANGED DIM 9.35 WAS 9.26, DIM 7.96 WAS 8.05, DIM 1.17 WAS 1.06 & DIM 1.33 WAS 1.22			420057	CFH	RGC	CFH
15JL13	R	02	AA	-		CHANGED "PLR" INSTEAD OF SLC FROM CHART & NOTES			423278	CFH	CFH	CFH



**NOTES**

- UNLESS OTHERWISE SPECIFIED AND/OR INDICATED:  
DIMENSIONS ARE TO FACE OF VIEW SHOWN AND AUTOMATICALLY ROUNDED BY COMPUTER FOR INSPECTION (SEE MATH MODEL FOR PRECISE DIMENSIONS). FOR ALL OTHER DIMENSIONS NOT SHOWN BUT REQUIRED FOR TOOL BUILD, SEE MATH MODEL FOR PRECISE TOOL PATH DATA.
- THIS PRODUCT IS NOT CATEGORIZED AS AN APPEARANCE ITEM, MINOR IMPERFECTIONS INCLUDING, BUT NOT LIMITED TO, FLOW MARKS, COLOR BLEMISHES, GATE VESTIGE, AND SOFT FLASH THAT DO NOT AFFECT THE FIT, FORM, OR FUNCTION OF THE PART ARE PERMISSIBLE PER DPNP-4.7-CS-01.
- FOR APPLICATION DATA SEE THE APPLICATION DRAWING.

13955963	13832941	13955964
PART NO	CONNECTOR	PLR

<p>(N/A) PROCESS SENSITIVE DIMENSION</p> <p>DIMENSIONS ENCLOSED IN ( ) INDICATE REFERENCE DIMENSIONS AND NO TOLERANCE LIMITS ARE ESTABLISHED</p>		<p>THIRD ANGLE PROJECTION</p>		<p>DO NOT SCALE</p>																					
<p>UNLESS OTHERWISE SPECIFIED</p> <p>THIS DOCUMENT IS IN ACCORDANCE WITH ASME Y14.5M-1994 AS MODIFIED BY THE 3D SURFACE DIMENSIONING AND TOLERANCING ADDENDUM-2001. SEPARATE PATTERNS OF FEATURES MAY BE SHOWN SEPARATELY, REGARDLESS OF REFERENCE.</p>		<p>ALL DIMENSIONS ARE IN MILLIMETERS</p>		<p>USE MATH DATA</p>																					
<p>DIMENSIONAL RANGE (MM)</p> <table border="1"> <tr> <th>FROM</th> <th>&gt; 0</th> <th>&gt; 20</th> <th>&gt; 30</th> <th>&gt; 70</th> <th>&gt; 100</th> <th>&gt; 150</th> <th>&gt; 200</th> <th>&gt; 250</th> <th>&gt; 300</th> </tr> <tr> <th>TO</th> <td>20</td> <td>30</td> <td>70</td> <td>100</td> <td>150</td> <td>200</td> <td>250</td> <td>300</td> <td>400</td> </tr> </table>		FROM	> 0	> 20	> 30	> 70	> 100	> 150	> 200	> 250	> 300	TO	20	30	70	100	150	200	250	300	400	<p>CHART E1</p>		<p>DATE</p>	
FROM	> 0	> 20	> 30	> 70	> 100	> 150	> 200	> 250	> 300																
TO	20	30	70	100	150	200	250	300	400																
<p>TOLERANCE UNLESS OTHERWISE SPECIFIED</p> <table border="1"> <tr> <th>DIMENSIONAL RANGE (MM)</th> <th>TOLERANCE</th> </tr> <tr> <td>0-15</td> <td>±0.2</td> </tr> <tr> <td>15-30</td> <td>±0.3</td> </tr> <tr> <td>30-70</td> <td>±0.4</td> </tr> <tr> <td>70-150</td> <td>±0.5</td> </tr> <tr> <td>150-250</td> <td>±0.6</td> </tr> <tr> <td>250-300</td> <td>±1</td> </tr> <tr> <td>300-400</td> <td>±1.2</td> </tr> </table>		DIMENSIONAL RANGE (MM)	TOLERANCE	0-15	±0.2	15-30	±0.3	30-70	±0.4	70-150	±0.5	150-250	±0.6	250-300	±1	300-400	±1.2	<p>ANGULAR TOLERANCE ±2°</p>		<p>DATE</p>					
DIMENSIONAL RANGE (MM)	TOLERANCE																								
0-15	±0.2																								
15-30	±0.3																								
30-70	±0.4																								
70-150	±0.5																								
150-250	±0.6																								
250-300	±1																								
300-400	±1.2																								

<p><b>DELPHI</b></p> <p>DELPHI PACKARD ELECTRICAL/ELECTRONIC ARCHITECTURE</p> <p>WARREN, OH</p> <p>COPYRIGHT 2012 DELPHI CORPORATION AND/OR ITS AFFILIATES. ALL RIGHTS RESERVED.</p> <p>THIS DRAWING IS THE PROPERTY OF DELPHI CORPORATION AND CONTAINS DELPHI CONFIDENTIAL INFORMATION. THE REPRODUCTION, DISTRIBUTION AND UTILIZATION OF THIS DOCUMENT OR ITS CONTENTS AND DATA, AS WELL AS COMMUNICATION OF ANY CONTENT TO OTHERS, WITHOUT EXPRESS AUTHORIZATION, IS PROHIBITED.</p>	
<p>DATE</p>	
<p>OR</p>	
<p>APV01 CYNTHIA FRAGA 14MY12</p> <p>APV02 MARIO MARTINEZ 14MY12</p> <p>APV03 MARIO MARTINEZ 14MY12</p> <p>APV04</p>	
<p>THIS DOCUMENT IS IN ACCORDANCE WITH ASME Y14.5M-1994 AS MODIFIED BY THE 3D SURFACE DIMENSIONING AND TOLERANCING ADDENDUM-2001. SEPARATE PATTERNS OF FEATURES MAY BE SHOWN SEPARATELY, REGARDLESS OF REFERENCE.</p>	
<p>SUBSTANCES OF CONCERN AND RECYCLED CONTENT, PER DELPHI (0944900)</p>	
<p>MATERIAL SEE CHART</p>	
<p>DRAWING NAME</p> <p>ASM CONN 6 M 0.64 11</p>	
<p>DRAWING NUMBER</p> <p>13955963</p>	
<p>SIZE</p> <p>A0</p>	<p>SCALE</p> <p>5:1</p>
<p>FRAME NO</p> <p>1 OF 1</p>	<p>SHEET NO</p> <p>1 OF 1</p>
<p>REV</p> <p>R 02</p>	<p>W/P</p> <p>AA</p>