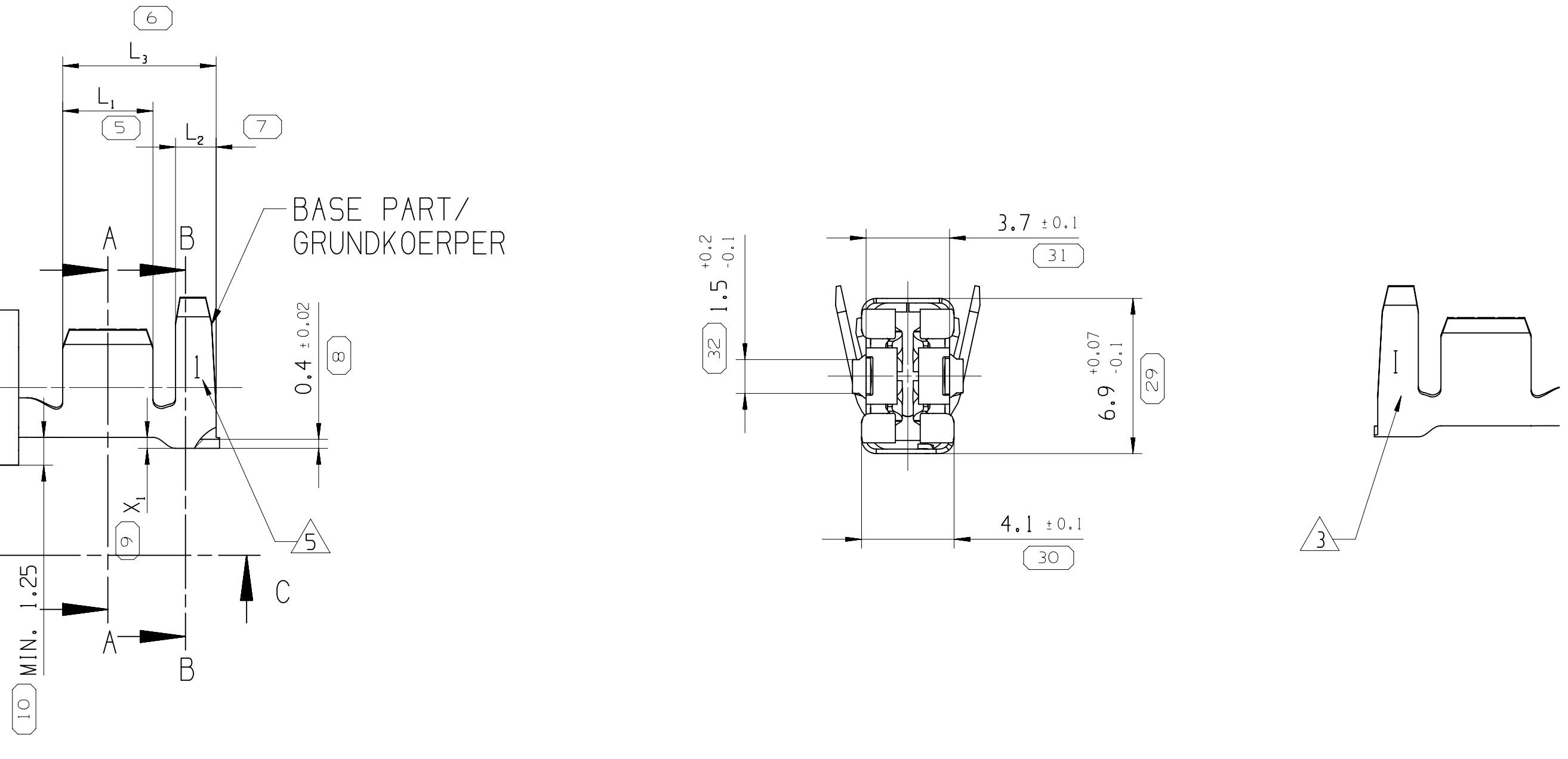
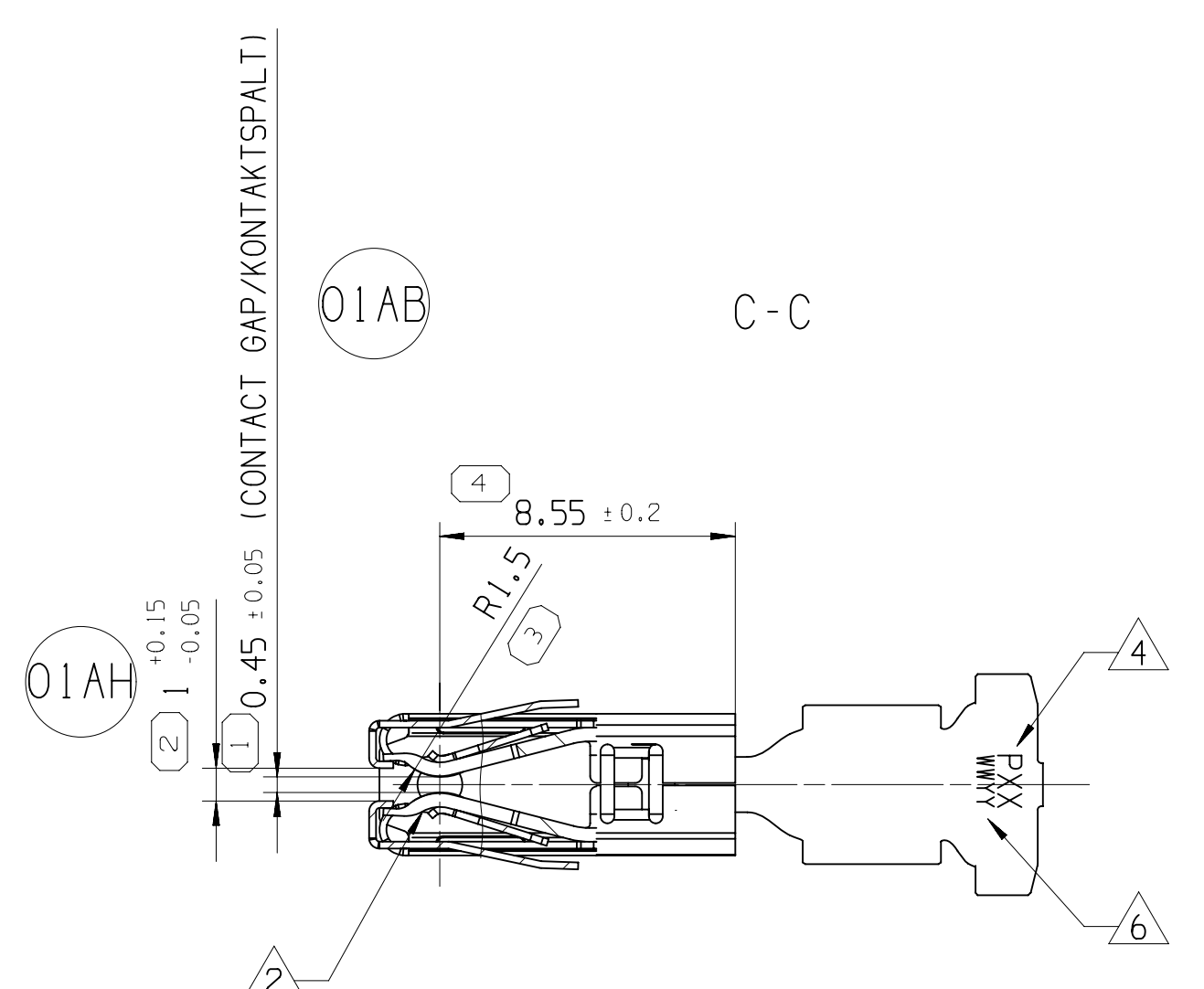


| DATE | REV | | ZONE | REVISION HISTORY | | | | AUTH | DR | APVD 1 | APVD 2 |
|--------|------|-----|------|--|----|-----|------|------|----|--------|--------|
| | DATE | STG | | REV | IN | PKT | CHKD | | | | |
| 14M13 | 01 | AA | K5 | | | | | | | | |
| 23SE13 | 01 | AB | H14 | CONTACT GAP 0,45 +/- 0,05 WAS 0,4 +/- 0,05 | | | | | | | |
| 30SE13 | 01 | AC | J6 | CROSS SECTIONS UPDATED | | | | | | | |
| 07OC13 | R | 01 | AD | TOLERANCES FOR CRIMPING METRY ADDED | | | | | | | |
| 10JM14 | 01 | AE | B5 | PICTURE KNURLS ADDED | | | | | | | |
| | 01 | AF | B12 | NOTE FOR 2,5MM2 AND SMALLER ... | | | | | | | |
| 12NO15 | 01 | AG | | IN CROSS SECTION MMF AND MMF | | | | | | | |
| 18NO15 | 01 | AH | G15 | DIM. 1+0,15/0,05 WAS 1+/-0,1 | | | | | | | |
| | | AI | B5 | NOTE: CROSS SECTION FOR ALL CABLE ... | | | | | | | |
| 05JN16 | R | 01 | AJ | SHEET 2 ADDED / BLATT 2 HINZU | | | | | | | |
| 28AP17 | R | 2 | C15 | EDIT THE SERATIONS FOR 0,5-1,0 MMF | | | | | | | |
| 28JN18 | R | 02 | AA | TYPING ERROR / SCHREIBFEHLER R1,5 MM/ R1 | | | | | | | |
| 09AU19 | R | 03 | | EDIT THE SERATIONS FOR 1,5-2,5 MMF | | | | | | | |

| L _{ges} | X ₁ | R ₂ | R ₁ | H ₂ | H ₁ | B ₂ | B ₁ | L ₃ | L ₂ | L ₁ | MAT * SIZE | SURFACE | MATERIAL | STRENGHT | CABLE TYPE | CROSS SECTION | TYPE | ASM P/N | SLEEVE P/N | BASE P/N | REV | DATE |
|------------------|----------------|----------------|----------------|----------------|----------------|----------------|----------------|----------------|----------------|----------------|-----------------|---------|----------|----------|------------|---------------|------|----------|------------|----------|-----|--------|
| 19,05 | 0,5 | 1,1 | 0,8 | 3,1 | 2,2 | 3,1 | 2,2 | 6,6 | 2,8 | 2,5 | 0,4 ± 0,02 × 24 | fSn | CuFe2P | 480-530 | | 0,35 | USLD | 13976098 | 13976088 | 13976092 | 01 | 01AU12 |
| 19,05 | 0,5 | 1,3 | 0,95 | 4,1 | 3 | 3,8 | 2,8 | 5,8 | 1,8 | 3 | 0,4 ± 0,02 × 24 | fSn | CuFe2P | 480-530 | | 0,5 - 1,0 | USLD | 13976099 | 13976088 | 13976093 | 01 | 01AU12 |
| 19,05 | 0,5 | 1,7 | 1,25 | 4,9 | 4 | 4,7 | 3,8 | 6,3 | 1,8 | 3,5 | 0,4 ± 0,02 × 24 | fSn | CuFe2P | 480-530 | | 1,5 - 2,5 | USLD | 13976100 | 13976088 | 13976094 | 01 | 01AU12 |
| 19,05 | 0,5 | 2,4 | 1,6 | 6,7 | 4,8 | 6,4 | 4,6 | 6,8 | 1,8 | 4 | 0,4 ± 0,02 × 24 | fSn | CuFe2P | 480-530 | | >2,5 - 4,0 | USLD | 13976101 | 13976088 | 13976095 | 01 | 01AU12 |
| 19,95 | 0,5 | 2,4 | 1,8 | 7 | 5,6 | 6,7 | 5,3 | 7,8 | 1,8 | 4,5 | 0,4 ± 0,02 × 24 | fSn | CuFe2P | 480-530 | | >4,0 - 6,0 | USLD | 13976102 | 13976088 | 13976096 | 01 | 01AU12 |
| 19,05 | 0,5 | 1,1 | 0,8 | 3,1 | 2,2 | 3,1 | 2,2 | 6,6 | 2,8 | 2,5 | 0,4 ± 0,02 × 24 | sel Ag | CuFe2P | 480-530 | | 0,35 | USLD | 13984278 | 13976088 | 13984310 | 01 | 01AU12 |
| 19,05 | 0,5 | 1,3 | 0,95 | 4,1 | 3 | 3,8 | 2,8 | 5,8 | 1,8 | 3 | 0,4 ± 0,02 × 24 | sel Ag | CuFe2P | 480-530 | | 0,5 - 1,0 | USLD | 13984290 | 13976088 | 13984315 | 01 | 01AU12 |
| 19,05 | 0,5 | 1,7 | 1,25 | 4,9 | 4 | 4,7 | 3,8 | 6,3 | 1,8 | 3,5 | 0,4 ± 0,02 × 24 | sel Ag | CuFe2P | 480-530 | | 1,5 - 2,5 | USLD | 13984291 | 13976088 | 13984317 | 01 | 01AU12 |
| 19,05 | 0,5 | 2,4 | 1,6 | 6,7 | 4,8 | 6,4 | 4,6 | 6,8 | 1,8 | 4 | 0,4 ± 0,02 × 24 | sel Ag | CuFe2P | 480-530 | | >2,5 - 4,0 | USLD | 13984302 | 13976088 | 13984318 | 01 | 01AU12 |
| 19,95 | 0,5 | 2,4 | 1,8 | 7 | 5,6 | 6,7 | 5,3 | 7,8 | 1,8 | 4,5 | 0,4 ± 0,02 × 24 | sel Ag | CuFe2P | 480-530 | | >4,0 - 6,0 | USLD | 13984307 | 13976088 | 13984319 | 01 | 01AU12 |

| FLRY / ISO 6722-1 | ONLY CUP WIRE / NUR CULLITZEN | CROSS SECTION | TYPE | ASM P/N | SLEEVE P/N | BASE P/N | REV | DATE |
|-------------------|-------------------------------|---------------|------|----------|------------|----------|-----|--------|
| | | 0,35 | USLD | 13976098 | 13976088 | 13976092 | 01 | 01AU12 |
| | | 0,5 - 1,0 | USLD | 13976099 | 13976088 | 13976093 | 01 | 01AU12 |
| | | 1,5 - 2,5 | USLD | 13976100 | 13976088 | 13976094 | 01 | 01AU12 |
| | | >2,5 - 4,0 | USLD | 13976101 | 13976088 | 13976095 | 01 | 01AU12 |
| | | >4,0 - 6,0 | USLD | 13976102 | 13976088 | 13976096 | 01 | 01AU12 |
| | | 0,35 | USLD | 13984278 | 13976088 | 13984310 | 01 | 01AU12 |
| | | 0,5 - 1,0 | USLD | 13984290 | 13976088 | 13984315 | 01 | 01AU12 |
| | | 1,5 - 2,5 | USLD | 13984291 | 13976088 | 13984317 | 01 | 01AU12 |
| | | >2,5 - 4,0 | USLD | 13984302 | 13976088 | 13984318 | 01 | 01AU12 |
| | | >4,0 - 6,0 | USLD | 13984307 | 13976088 | 13984319 | 01 | 01AU12 |

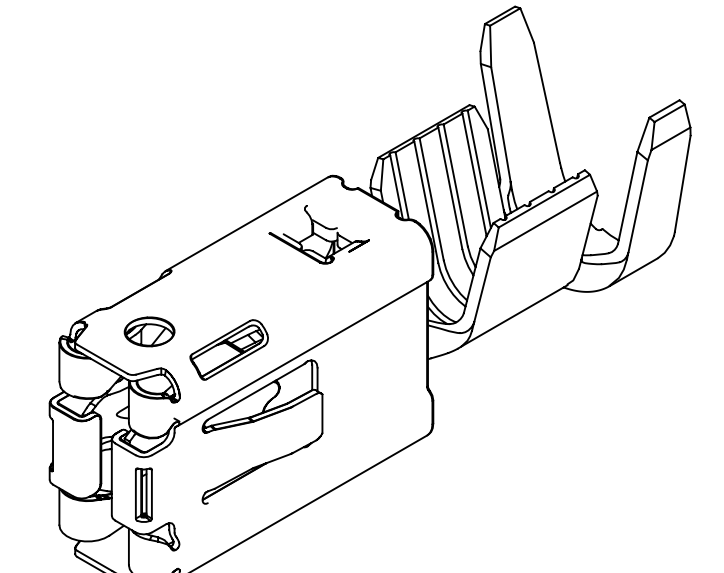


ONLY CROSSSECTION 1.5-2.5 MM²
NUR FUER QUERSCHNITT 1.5-2.5 MM²
DEVIATION FROM ESD S2700901
ABWEICHEND VON ESD S2700901

ONLY CROSSSECTION 0.5-1.0 MM²
NUR FUER QUERSCHNITT 0.5-1.0 MM²
DEVIATION FROM ESD S2700901
ABWEICHEND VON ESD S2700901

ANSICHT NUR FUER 0,35qmm /
VIEW ONLY FOR 0,35qmm

- NOTES / BEMERKUNG
- BURRS ACC. DIN 9830-1
- SCHNITTGRAT NACH DIN 9830-1
- CRIMP MANUFACTURING PARAMETERS AND TOOLING ACCORDING TO DELPHI-SPECIFICATION
- CRIMPVERARBEITUNGSPARAMETER UND WERKZEUGE GEMÄSS DELPHI-SPECIFICATION
- MAX. AXIAL MOVEMENT 0,1mm BETWEEN SLEEVE AND BODY TERMINAL
- MAX. AXIALES SPIEL 0,1mm ZWISCHEN UEBERFEDER UND BASISSTELL
- FOR VERSION sel Ag IN THE CONTACTAREA (INSIDE): MIN 2,0µm Ag OVER MIN 1,0µm Ni
FUER VARIANTE sel Ag IM KONTAKTBEREICH (INNEN): MIN 2,0µm Ag OVER MIN 1,0µm Ni
- THIS AREA SELECTIVE Ag
DIESER BEREICH SELEKTIV Ag
- PLATING INDEX (Psn: I; Ag: II; Au: III)
BESCHÜTTUNGSKENNZEICHNUNG (Psn: I; Ag: II; Au: III)
- COMPANY LABEL
HERSTELLERKENNZEICHNUNG
- REVISION INDEX
REVISIONSSTAND
- INDEX FOR PRODUCTIONWEEK AND YEAR
KENNZEICHNUNG HERSTELLUNGSWOCHE UND JAHR



USABLE MALE BLADE / GEEIGNETE FLACHSTECKER
4,8±0,1 × 0,8±0,03 mm
5,8±0,1 × 0,8±0,03 mm
6,3±0,1 × 0,8±0,03 mm

| KEY PRODUCT CHARACTERISTICS | | | | |
|-----------------------------|-----------------|-----------|-----|------|
| NO & TYPE | DESCRIPTION | RATIONALE | PTS | ZONE |
| SAFETY/COMPLIANCE | FIT/FUNCTION | | 0 | |
| S/C CHECKPOINTS | F/F CHECKPOINTS | | 0 | |

DELPHI
DELPHI DEUTSCHLAND GMBH
D-42119 WUPPERTAL
COPYRIGHT 2012 DELPHI CORPORATION AND/OR ITS AFFILIATES.
ALL RIGHTS RESERVED.

CUSTOMER PART DRAWING

DATE: 04AP12
DR: J. VILLARREAL
APVD1: K. WIRTH
APVD2: R. GUTENSWAGNER

SIZE: A0
SCALE: 5:1
FRAME NO: 1 OF 2
SHEET NO: 1 OF 2
REV: R 03