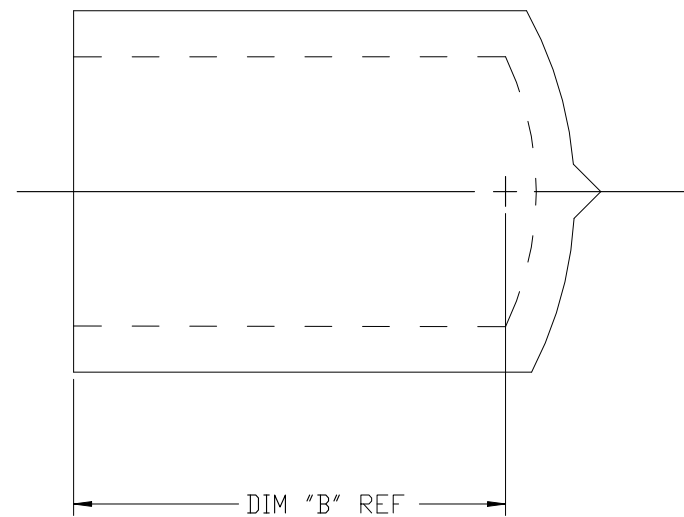
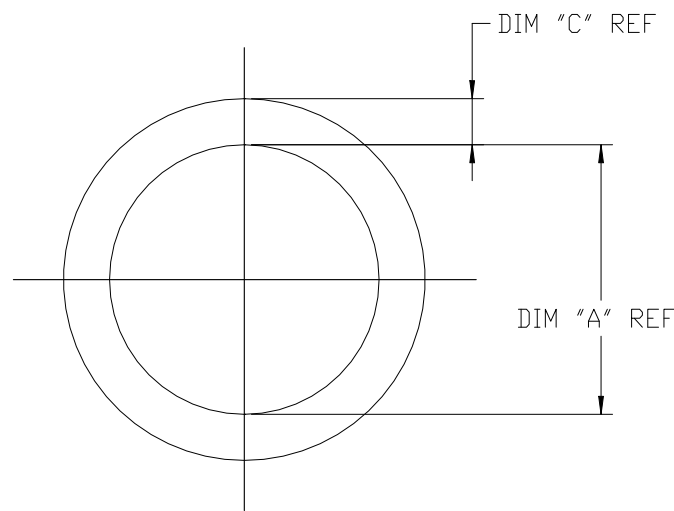


REVISIONS				
P	LTR	DESCRIPTION	DATE	APVD
	A1	REVISED PER ECN-21-116504	07SEP2021	RZ WK



.250	1.000	.048	BLACK	1-1403137-3
.625	1.000	.060	BLACK	1-1403137-2
.187	.900	.055	BLACK	1-1403137-1
.137	.075	.040	RED	1-1403137-0
.250	.500	.040	RED	1403137-9
.137	.375	.040	RED	1403137-8
.812	.625	.060	RED	1403137-7
.437	.500	.055	GREEN	1403137-6
.172	.500	.040	RED	1403137-5
.375	.500	.050	RED	1403137-4
.625	.500	.060	RED	1403137-3
.207	.375	.040	BLACK	1403137-2
.234	.375	.040	RED	1403137-1
DIM "A"	DIM "B"	DIM "C"	COLOR	PART NUMBER

THIS DRAWING IS A CONTROLLED DOCUMENT.		DWN VM	09-27-01	STE TE Connectivity	
DIMENSIONS: INCHES		CHK	-		
TOLERANCES UNLESS OTHERWISE SPECIFIED:		APVD	-	NAME	
0 PLC ± -		PRODUCT SPEC		CAP	
1 PLC ± -		APPLICATION SPEC		(2003-24)	
2 PLC ± -		WEIGHT		RESTRICTED TO	
3 PLC ± .005		0.000000		-	
4 PLC ± -		A3 00779		SIZE CAGE CODE DRAWING NO	
ANGLES ± 1°		C-1403137		SCALE	
MATERIAL		CUSTOMER DRAWING		1:1	
FINISH		SCALE		SHEET	
-		1:1		1 OF 1	
		REV		A1	