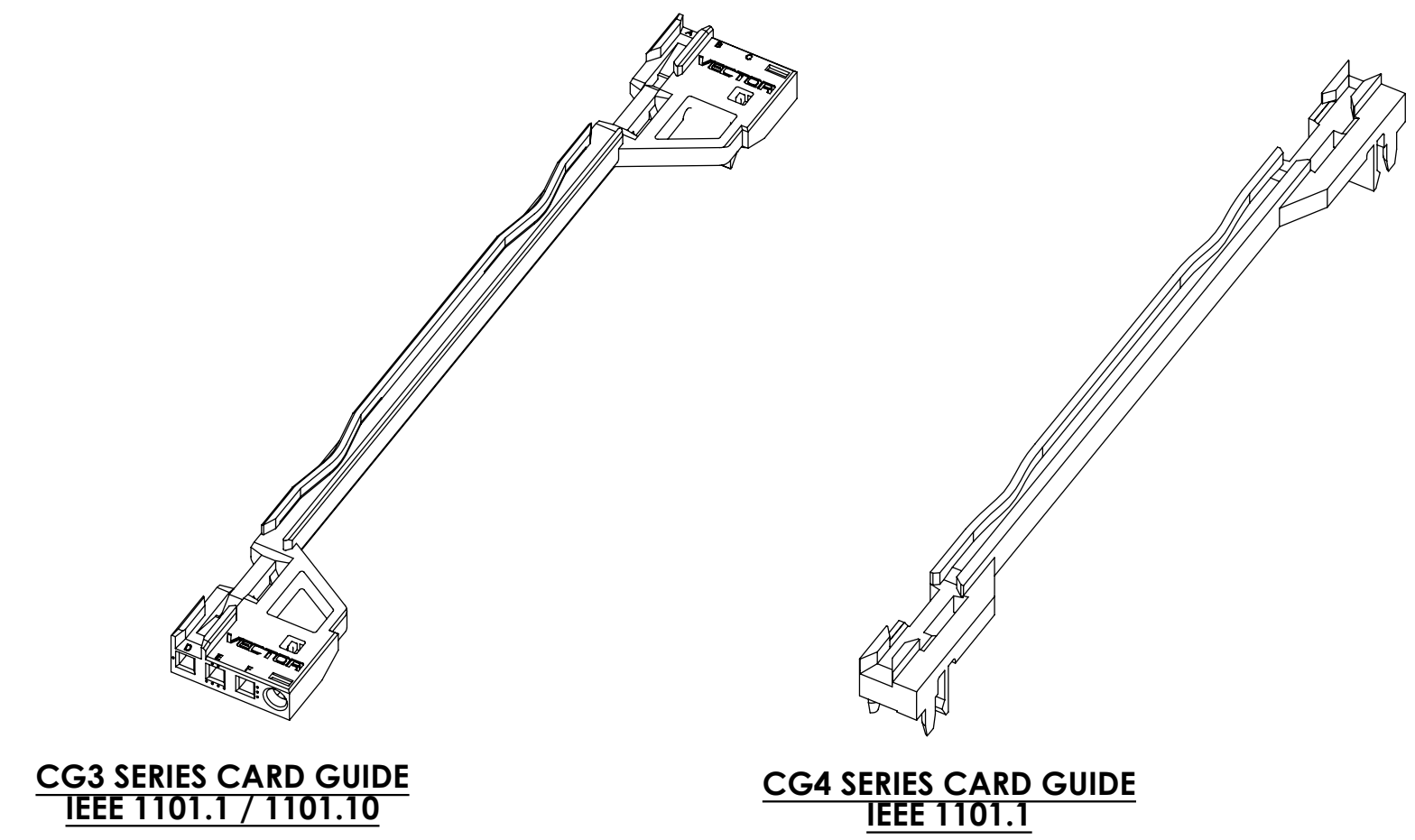
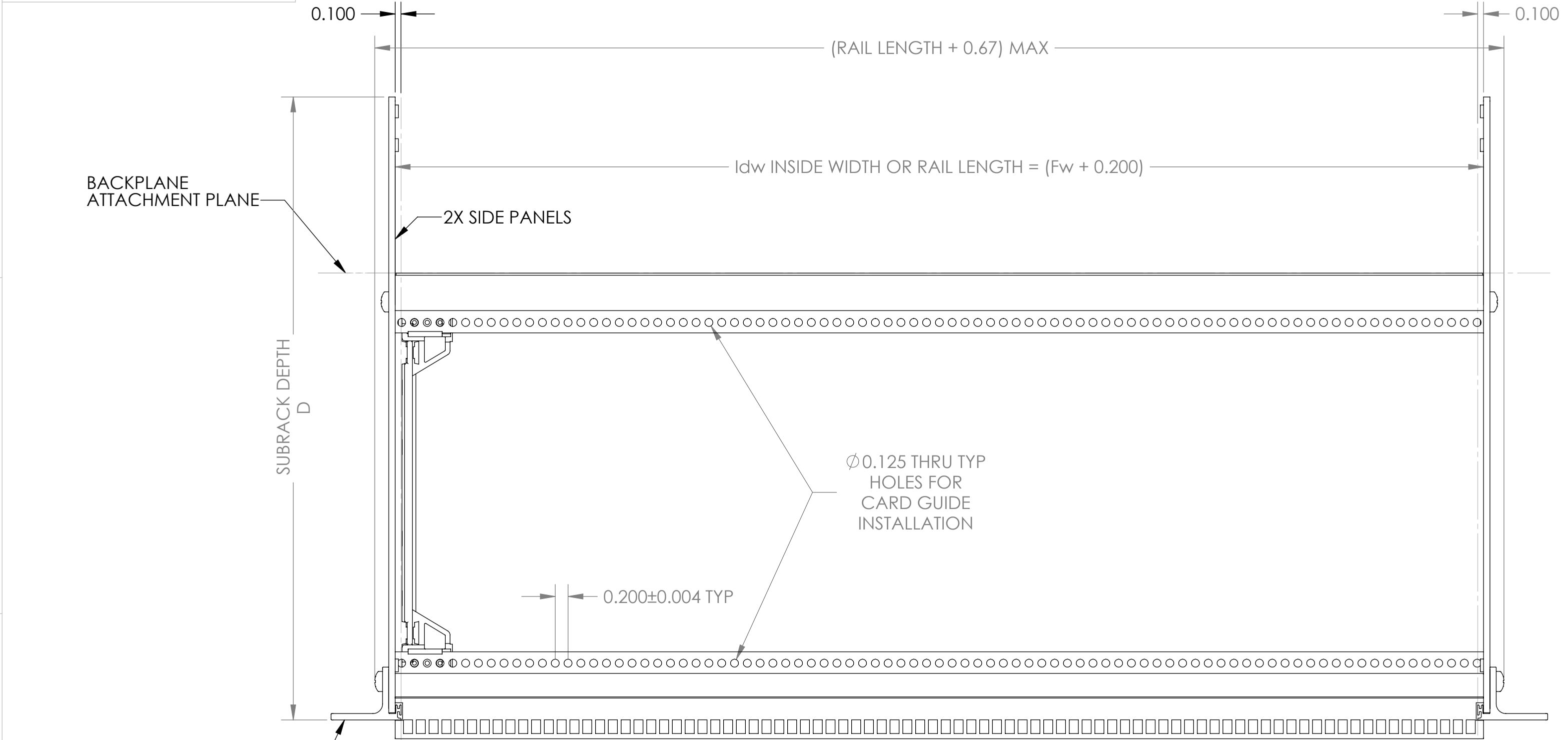


PROPRIETARY AND CONFIDENTIAL
 THE INFORMATION CONTAINED IN THIS DRAWING IS THE SOLE PROPERTY OF
 VECTOR ELECTRONICS & TECHNOLOGY, INC. ANY REPRODUCTION IN PART
 OR AS A WHOLE WITHOUT THE WRITTEN PERMISSION OF VECTOR ELECTRONICS
 & TECHNOLOGY, INC IS PROHIBITED.

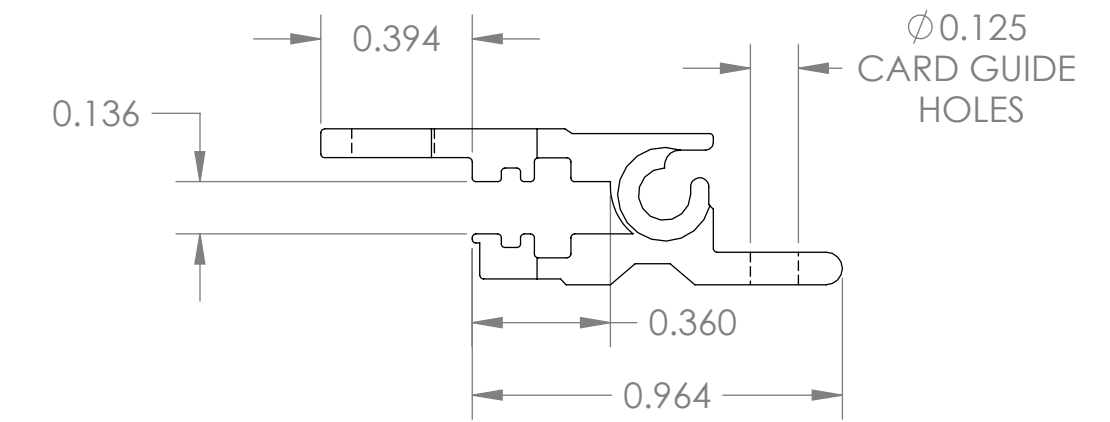
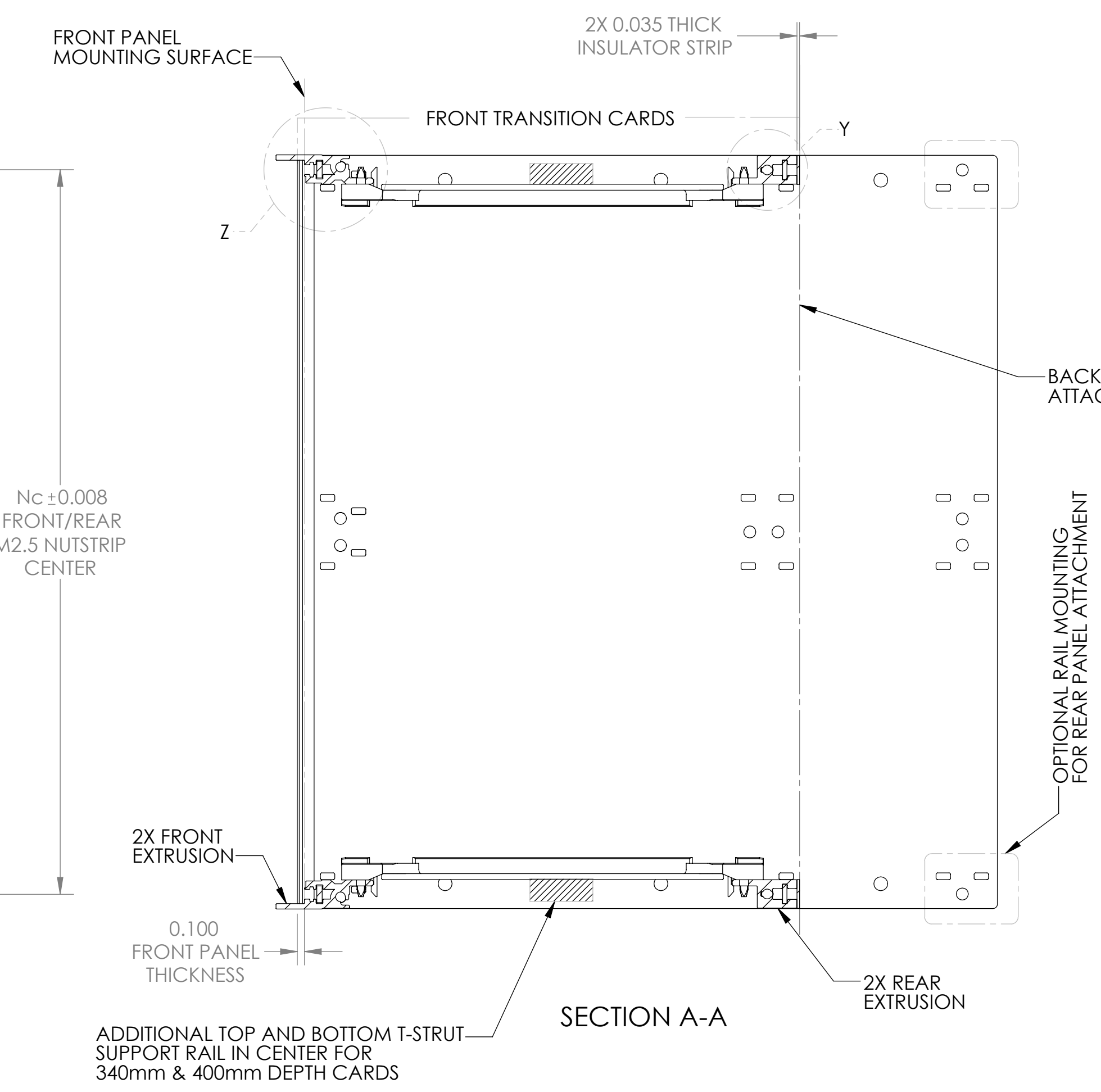
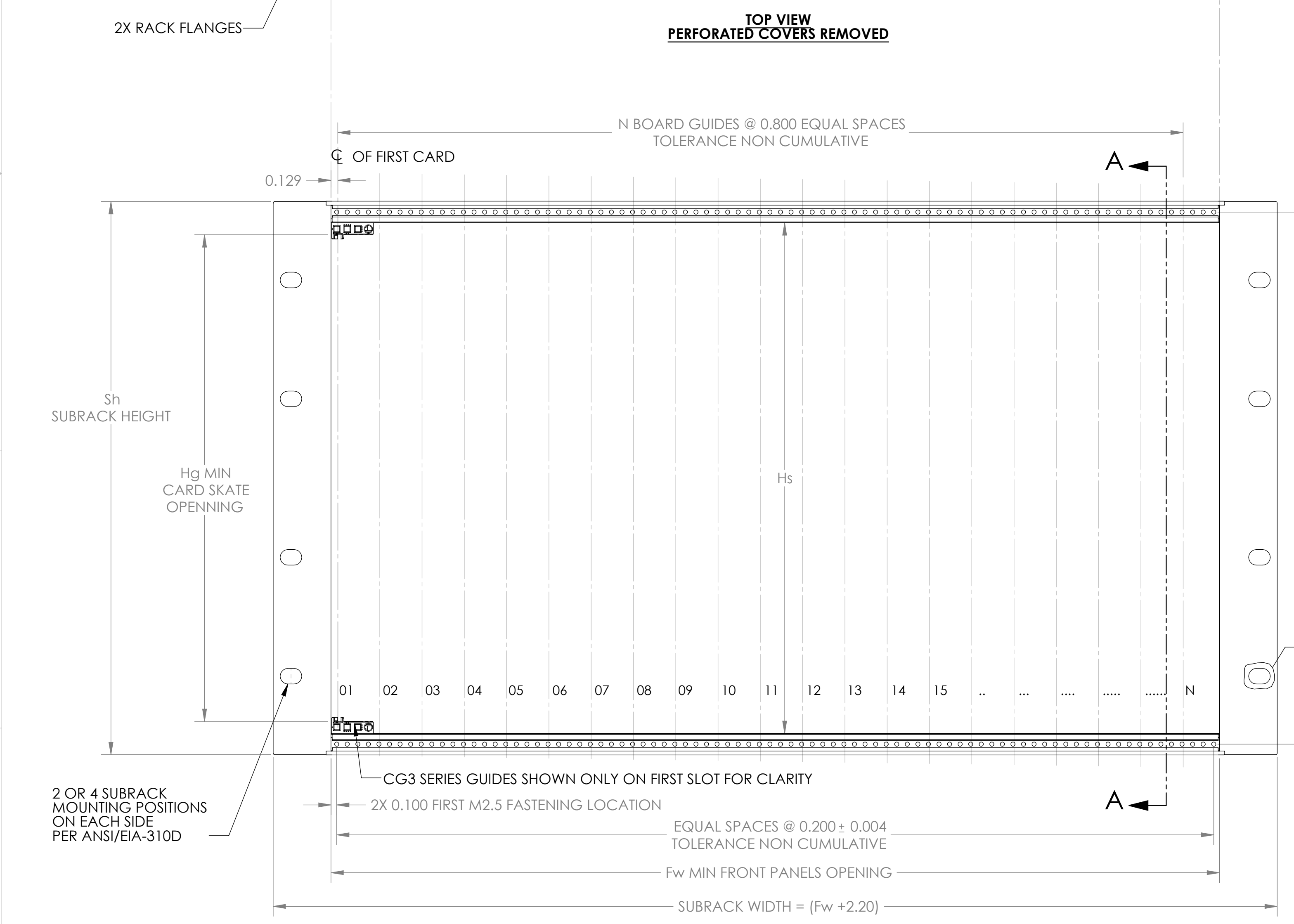
REVISIONS				
ZONE	REV	DESCRIPTION	DATE	APPROVED
ALL	A	INITIAL RELEASE	09/23/11	



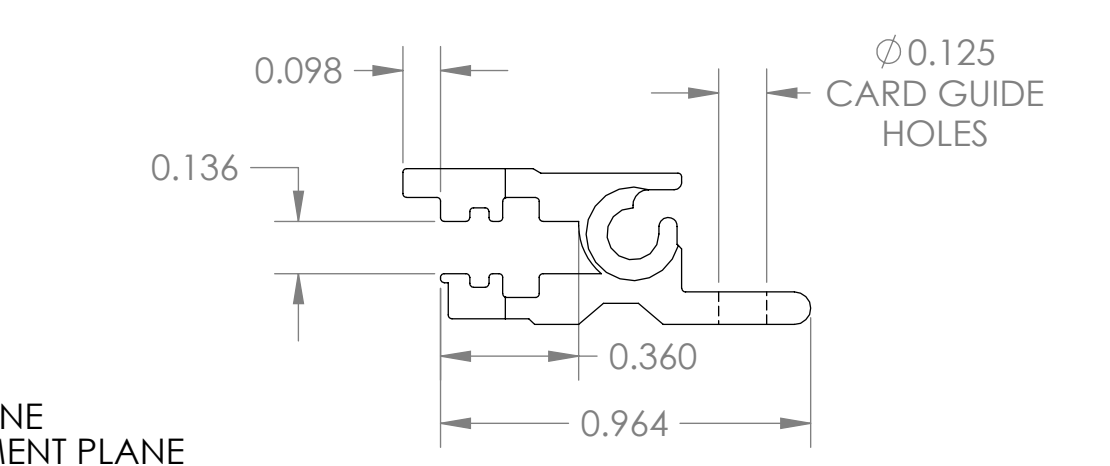
CARD CAGE HEIGHT			
DIM	3U	6U	9U
Sh	5.22	10.47	15.72
Hg	3.945	9.195	14.445
Hs	4.422	9.672	14.922
Nc	4.823	10.073	15.323

CARD CAGE WIDTH				
DIM	36HP	44HP	64HP	84HP
Fw	7.200	8.800	12.800	16.800
ldw	7.400	9.000	13.000	17.000
N	9	11	16	21

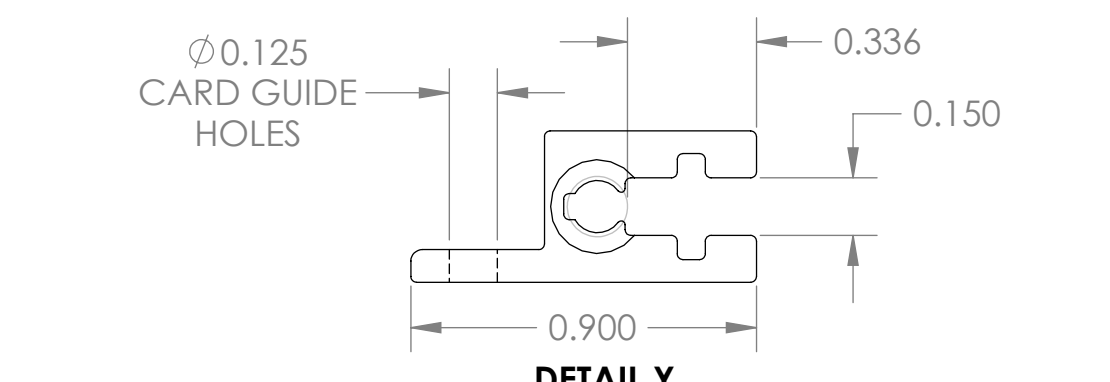
1U = 1.75" (44.45mm)
 1HP = 0.200" (5.08mm)



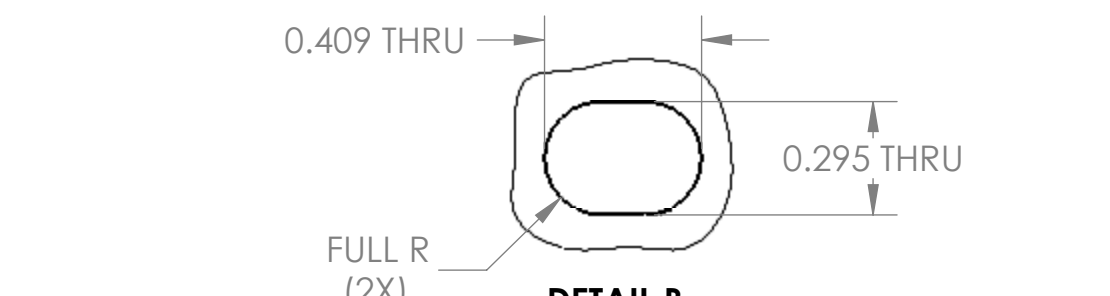
DETAIL Z
 FRONT HORIZONTAL RAIL
 IEEE 1101.10



DETAIL Z
 FRONT HORIZONTAL RAIL
 IEEE 1101.1



DETAIL Y
 REAR HORIZONTAL RAIL



DETAIL B
 SCALE 2 : 1
 RACKMOUNT HOLE

UNLESS OTHERWISE SPECIFIED:
 DIMENSIONS ARE IN INCHES
 TOLERANCES:
 DEC .X.X ±0.1
 DEC .X.XX ±0.03
 DEC .X.XXX ±0.010
 FRACTIONS ±0.000
 ANGLES ±1°
 THIRD ANGLE PROJECTION

DRAWN	TRISHAR	DATE	09/23/11
CHECKED			
ENG APPR.			
MFG APPR.			
Q.A.			

MATERIAL: _____
 FINISH: _____

11115 VANOWEN ST., NORTH HOLLYWOOD, CA 91605
VECTOR
 ELECTRONICS & TECHNOLOGY, INC. www.vectorelec.com

VECTOR
 1101.1 / 1101.10
 CARD CAGE DETAIL

SIZE DWG. NO. REV
D VCC1101 A

SCALE: 2:3 CAGE CODE: 82893 SHEET 1 OF 1