

LOC	DIST	REVISIONS					
GP	00	P	LTR	DESCRIPTION	DATE	BY	APPD
		A		REV PER ECO-06-005380	13MAR2006	BC	GG

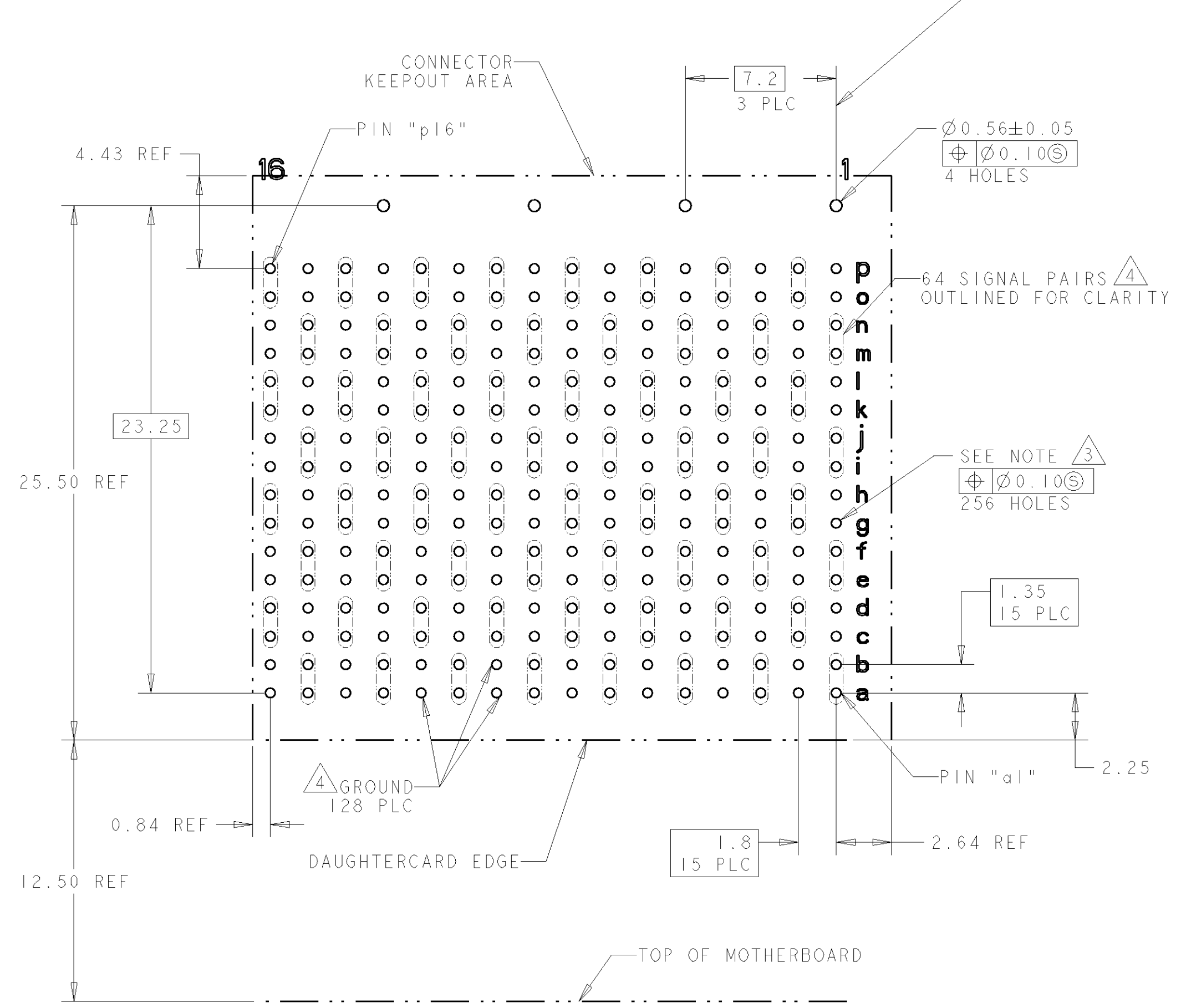
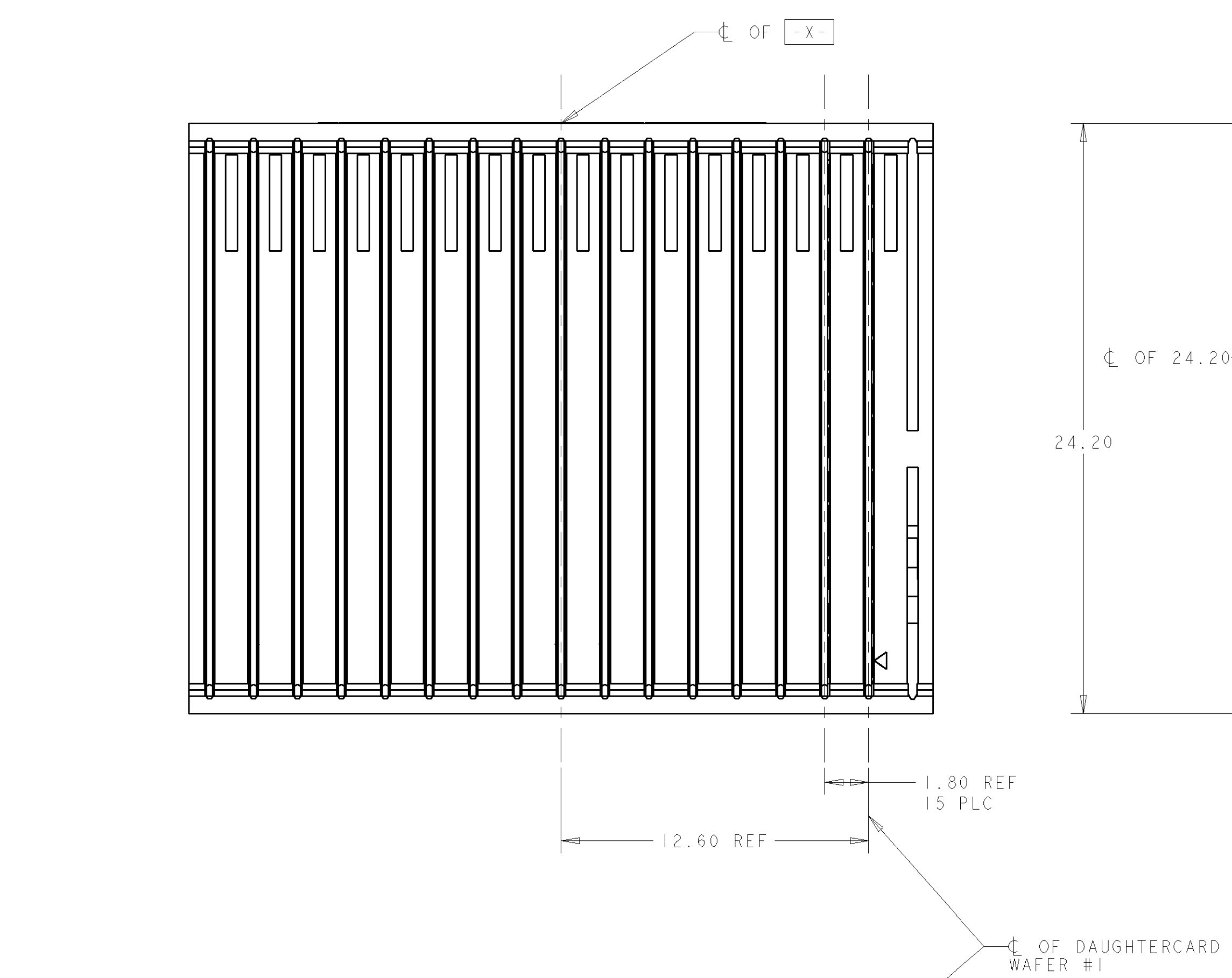
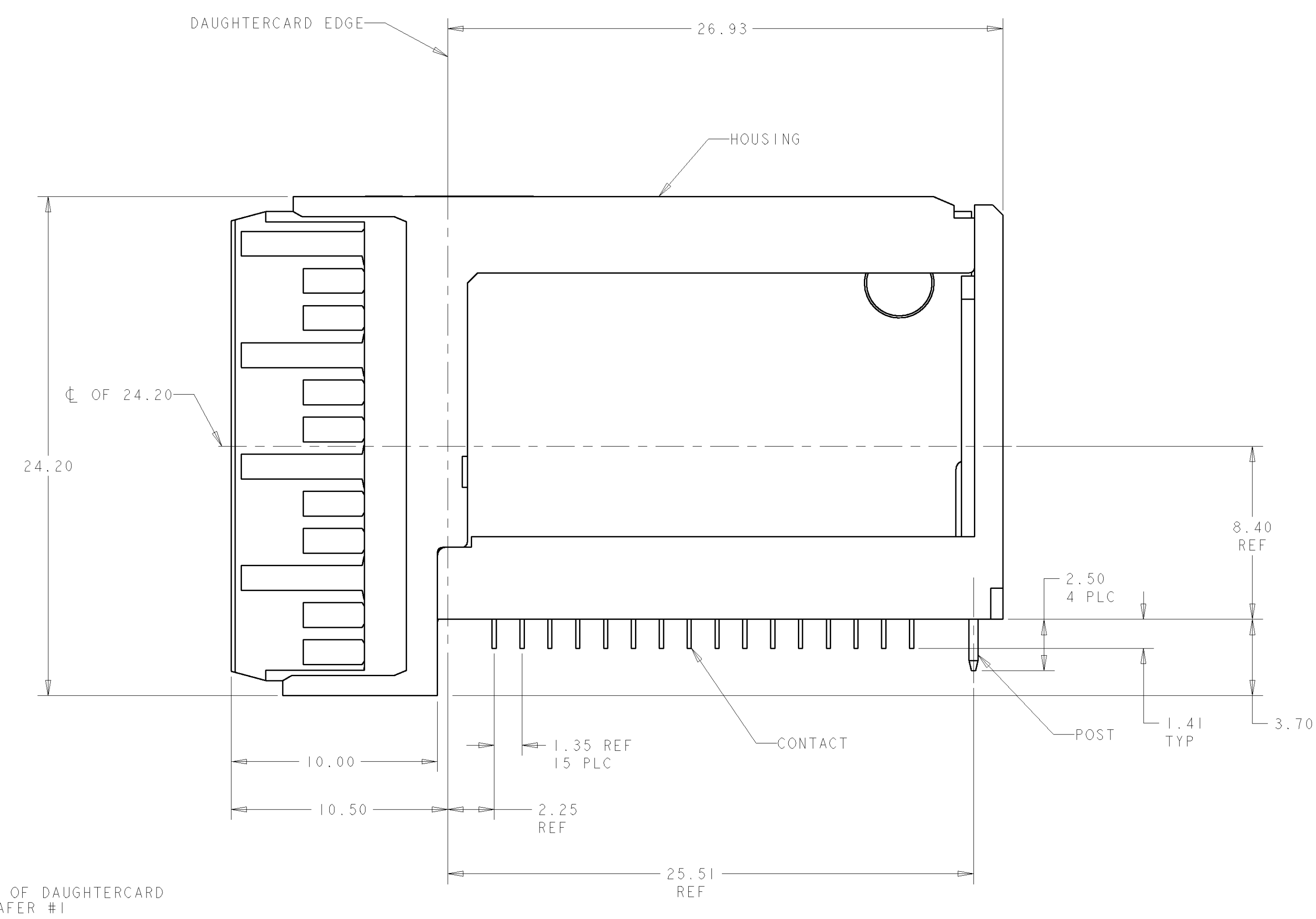
- ① HOUSING: LCP, UL94V0. COLOR: BLACK.  
CONTACT: PHOSPHOR BRONZE.  
POST: BRASS WIRE
- ② CONTACT: 1.27µm MIN. TIN-LEAD ON PCB TAIL  
OVER 1.27µm MIN. NICKEL OVER ALL.  
POST: 1.27µm MIN NICKEL PLATED.
- ③ MANUFACTURING TOLERANCE FOR:  
Ø0.46±0.05 FINISHED HOLE WITH Sn PB PLATING:  
DRILLED HOLE = Ø0.55±0.02  
COPPER PLATING = 0.025-0.050  
Sn PB PLATING = 0.0038-0.0124  
OR  
Ø0.475±0.05 FINISHED HOLE WITHOUT Sn PB PLATING:  
DRILLED HOLE = Ø0.55±0.02  
COPPER PLATING = 0.025-0.050
- ④ SEE TABLE 1 FOR INTERCONNECTIONS TO  
BACKPLANE CONNECTOR.
- ⑤ CONTACT: 1.27µm MIN. TIN ON PCB TAIL  
OVER 1.27µm MIN. NICKEL OVER ALL.  
POST: 1.27µm MIN NICKEL PLATED.

TABLE 1  
INTERCONNECTIONS WITH BACKPLANE CONNECTOR 1410129

TYPICAL INTERCONNECTIONS FOR EACH ODD-NUMBERED COLUMN (WAFER): 1,3,5,7,9,11,13,15		
CONTACT USAGE	DAUGHTERCARD CONNECTOR PIN	BACKPLANE CONNECTOR PIN
SIGNAL PAIR	ax	ax
SIGNAL PAIR	bx	bx
SIGNAL PAIR	ex	dx
SIGNAL PAIR	fx	ex
SIGNAL PAIR	ix	gx
SIGNAL PAIR	jx	hx
SIGNAL PAIR	mx	jx
SIGNAL PAIR	nx	kx
GROUPS	cx, dx, gx, hx, kx, lx, ox, px (ALL COMMONED)	cx, fx, ix, lx

TYPICAL INTERCONNECTIONS FOR EACH EVEN-NUMBERED COLUMN (WAFER): 2,4,6,8,10,12,14,16		
CONTACT USAGE	DAUGHTERCARD CONNECTOR PIN	BACKPLANE CONNECTOR PIN
SIGNAL PAIR	cx	bx
SIGNAL PAIR	dx	cx
SIGNAL PAIR	gx	ex
SIGNAL PAIR	hx	fx
SIGNAL PAIR	kx	hx
SIGNAL PAIR	lx	ix
SIGNAL PAIR	ox	kx
SIGNAL PAIR	px	lx
GROUPS	ax, bx, ex, fx, ix, jx, mx, nx (ALL COMMONED)	ax, dx, gx, jx

NOTE: "x" DESIGNATES THE COLUMN NUMBER.



PC BOARD LAYOUT (CONNECTOR SIDE)  
SCALE 5:1

DIMENSIONS: mm		TOLERANCES UNLESS OTHERWISE SPECIFIED: 0 PLC ± 1 PLC ±0.5 2 PLC ±0.13 3 PLC ± 4 PLC ± ANGLES ±1°		DWN 03SEP2002 CHK 03SEP2002 J. CONSOLI G. GRIFFITH APD 13MAR2006 PRODUCT SPEC 108-2072 APPLICATION SPEC 114-13056 WEIGHT CUSTOMER DRAWING		Tyco Electronics Harrisburg, PA 17105-3608 NAME RIGHT-ANGLE PLUG ASSEMBLY, LEFT END, 25.4mm, MultiGig RT2, DIFFERENTIAL, DAUGHTERCARD CONNECTOR SIZE CAGE CODE DRAWING NO. RESTRICTED TO A1 00779 C=1410124 SCALE 6:1 SHEET 1 OF 1 REV A	
-------------------	--	--	--	---	--	--	--