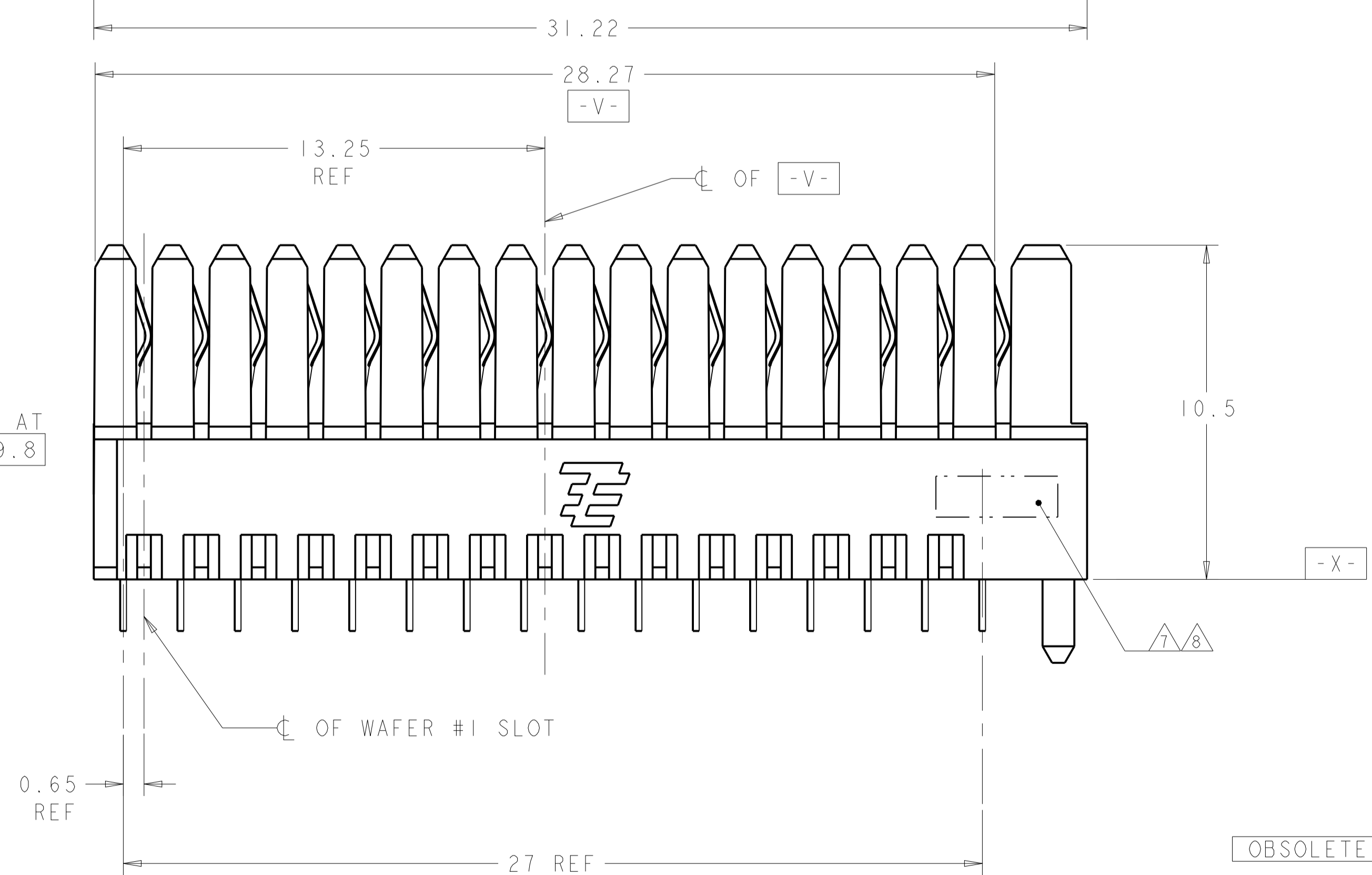
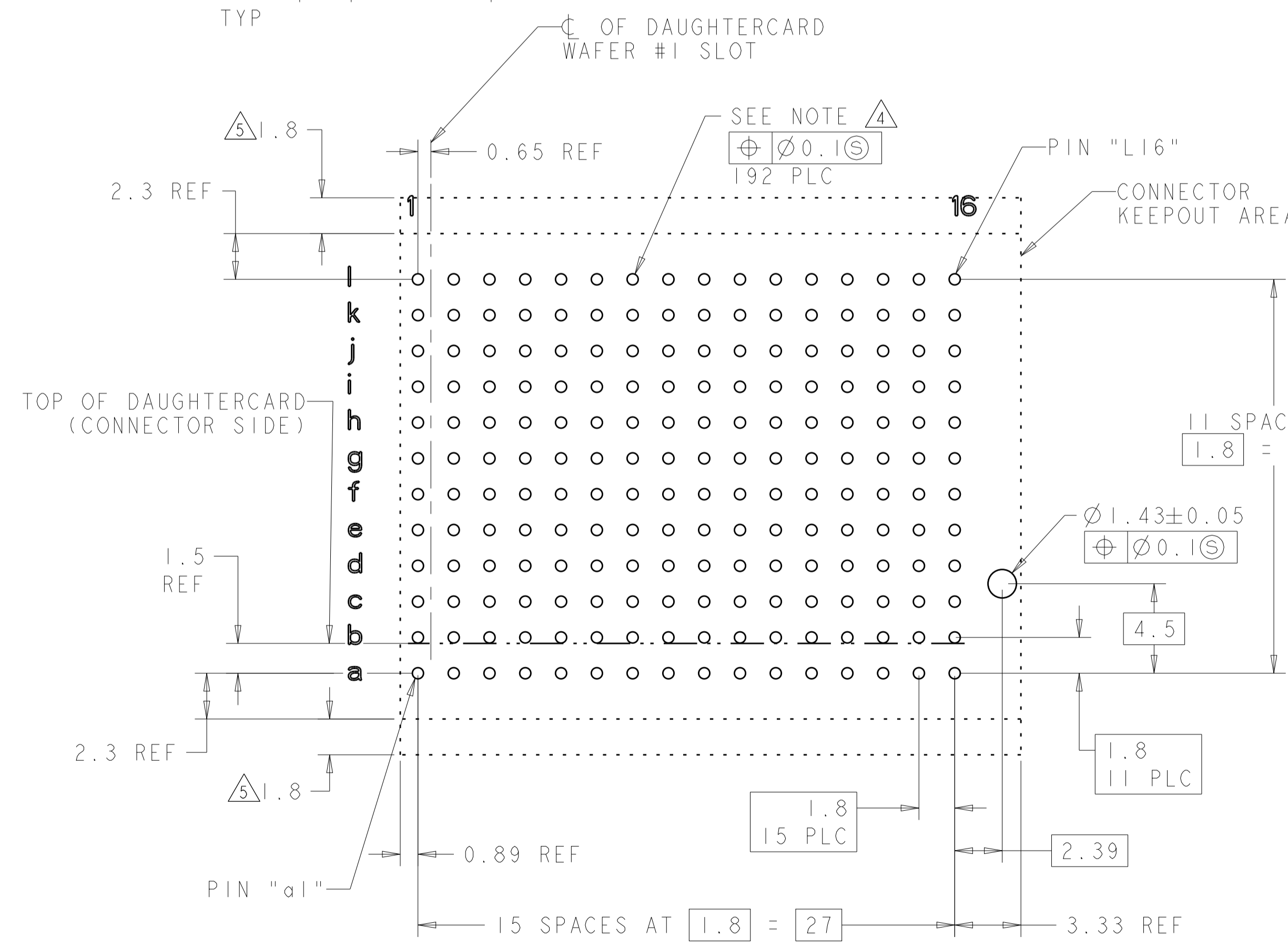
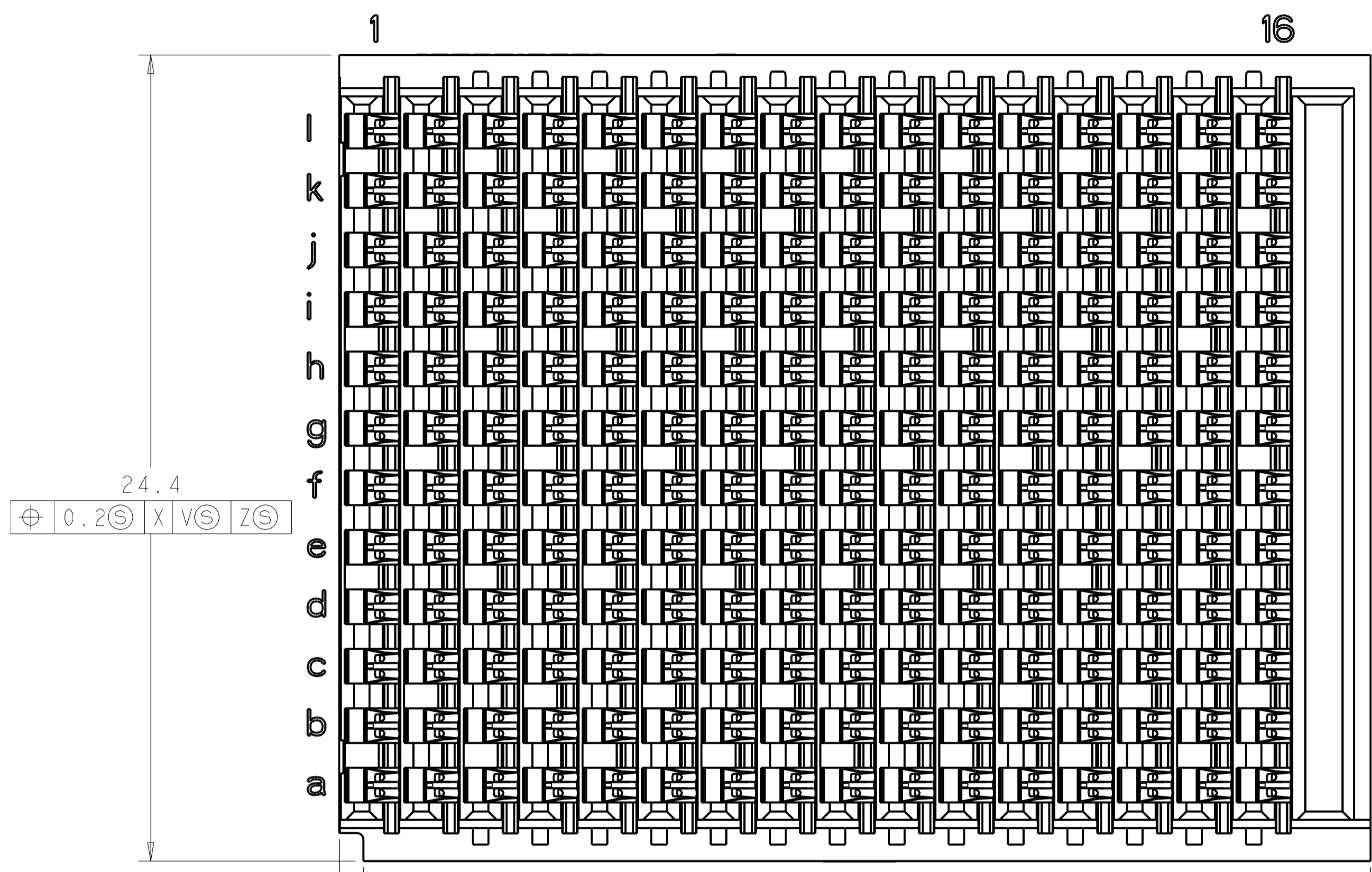
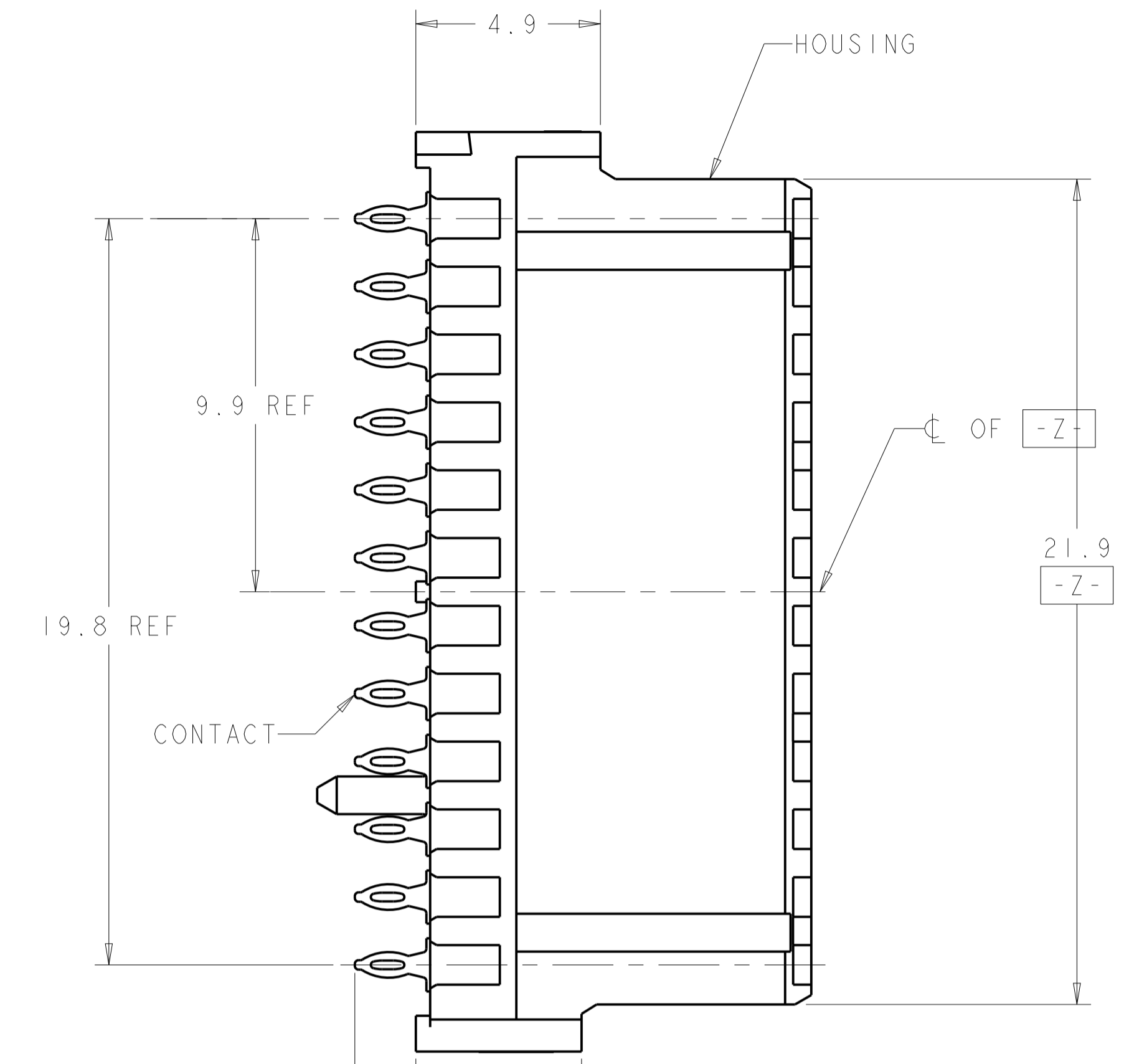


LOC	DIST	REV	DATE	BY	CHK	APPV
GP	00	F	7-16-14	CT	DH	



- △ HOUSING: LCP, UL94V0, COLOR: BLACK. CONTACT: PHOSPHOR BRONZE.
- △ FINISH: 1.27µm GOLD IN CONTACT AREA 1.27µm MIN TIN-LEAD ON PCB TAIL OVER 3.81µm MIN NICKEL OVER ALL.
- △ FINISH: 1.27µm GOLD IN CONTACT AREA 1.27µm MIN TIN ON PCB TAIL OVER 3.81µm MIN NICKEL OVER ALL.
- △ MANUFACTURING TOLERANCE FOR:  
 Ø0.56±0.05 FINISHED HOLE WITH Sn PB PLATING:  
 DRILLED HOLE = Ø0.65±0.02  
 COPPER PLATING = 0.025-0.050  
 Sn PB PLATING = 0.0038-0.0124  
 OR  
 Ø0.575±0.050 FINISHED HOLE WITHOUT Sn PB PLATING:  
 DRILLED HOLE = Ø0.65±0.02  
 COPPER PLATING = 0.025-0.050
- △ ADDITIONAL CONNECTOR SIDE KEEPOUT AREA REQUIRED IF CONNECTOR SIDE EXTRACTION TOOL IS TO BE USED.
- △ OBSOLETE PARTS: OBSOLETE CIS STREAMLINING PER D.RENAUD/D.SINISI
- △ TE PART NO AND DATE CODE MARKED IN THIS AREA, EITHER SIDE

PC BOARD LAYOUT (CONNECTOR SIDE) SCALE 5:1

OBSOLETE	REMARKS	PLATING	PART NO
			1410128-2
			1410128-1

THIS DRAWING IS A CONTROLLED DOCUMENT.

OWN: R. IREA 27FEB2002  
 CHK: J. CONSOLI 27FEB2002  
 APPV: J. CONSOLI 27FEB2002

DIMENSIONS: mm

TOLERANCES UNLESS OTHERWISE SPECIFIED:  
 0 PLC ±  
 1 PLC ±0.5  
 2 PLC ±0.13  
 3 PLC ±  
 4 PLC ±  
 5 PLC ±

MATERIAL:

FINISH:

PRODUCT SPEC: 108-2072 APPLICATION SPEC  
 CAGE CODE: 114-13056  
 WEIGHT:   
 CUSTOMER DRAWING

NAME: CONNECTOR ASSEMBLY, BACKPLANE VERTICAL RECEPTACLE, RIGHT END, 25.4mm, MultiGig RT 2

SIZE: A1  
 CAGE CODE: 100779  
 DRAWING NO: 1410128

RESTRICTED TO:   
 SCALE: 8:1 SHEET: 1 OF 1 REV: F

TE Connectivity