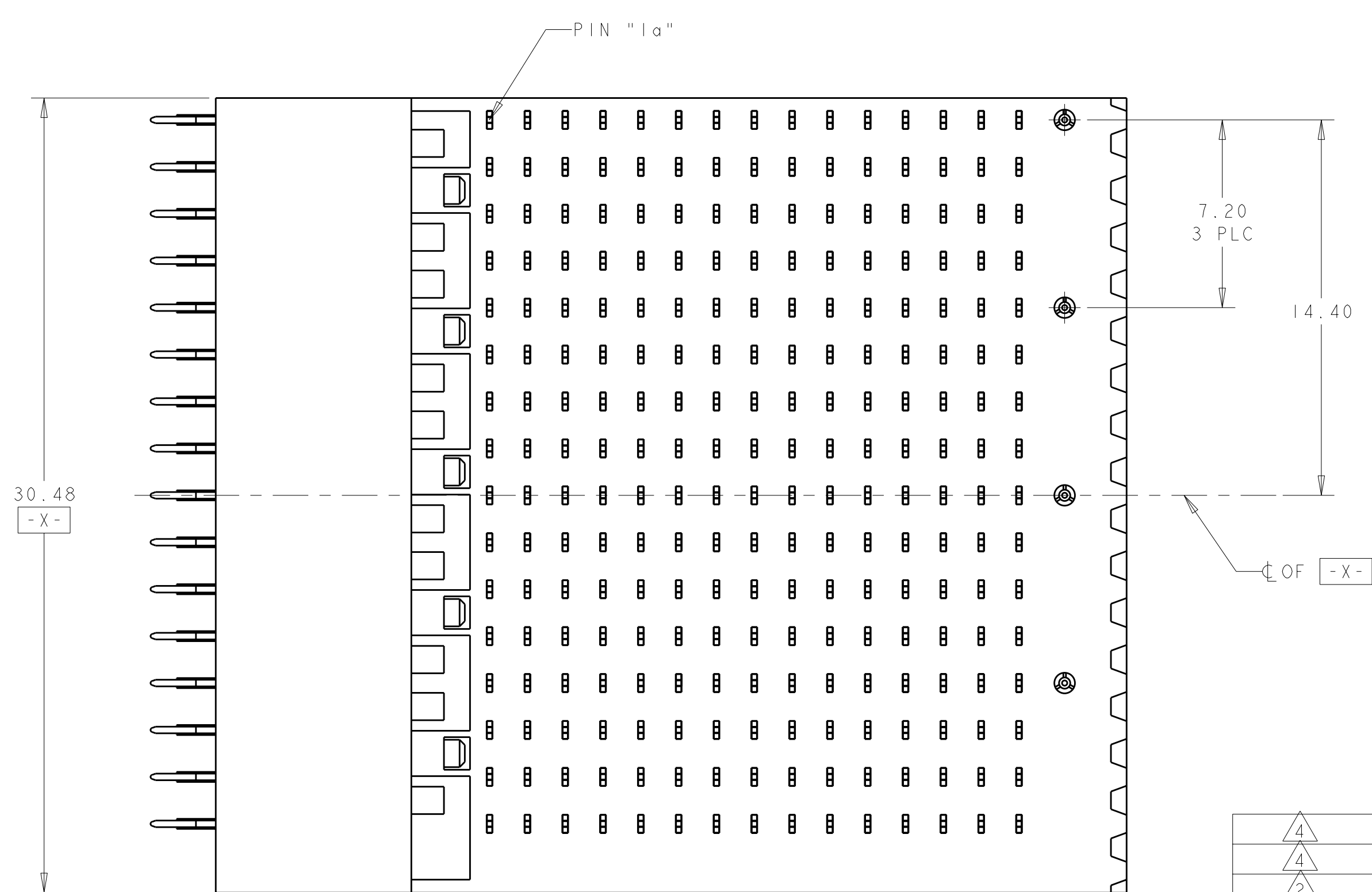
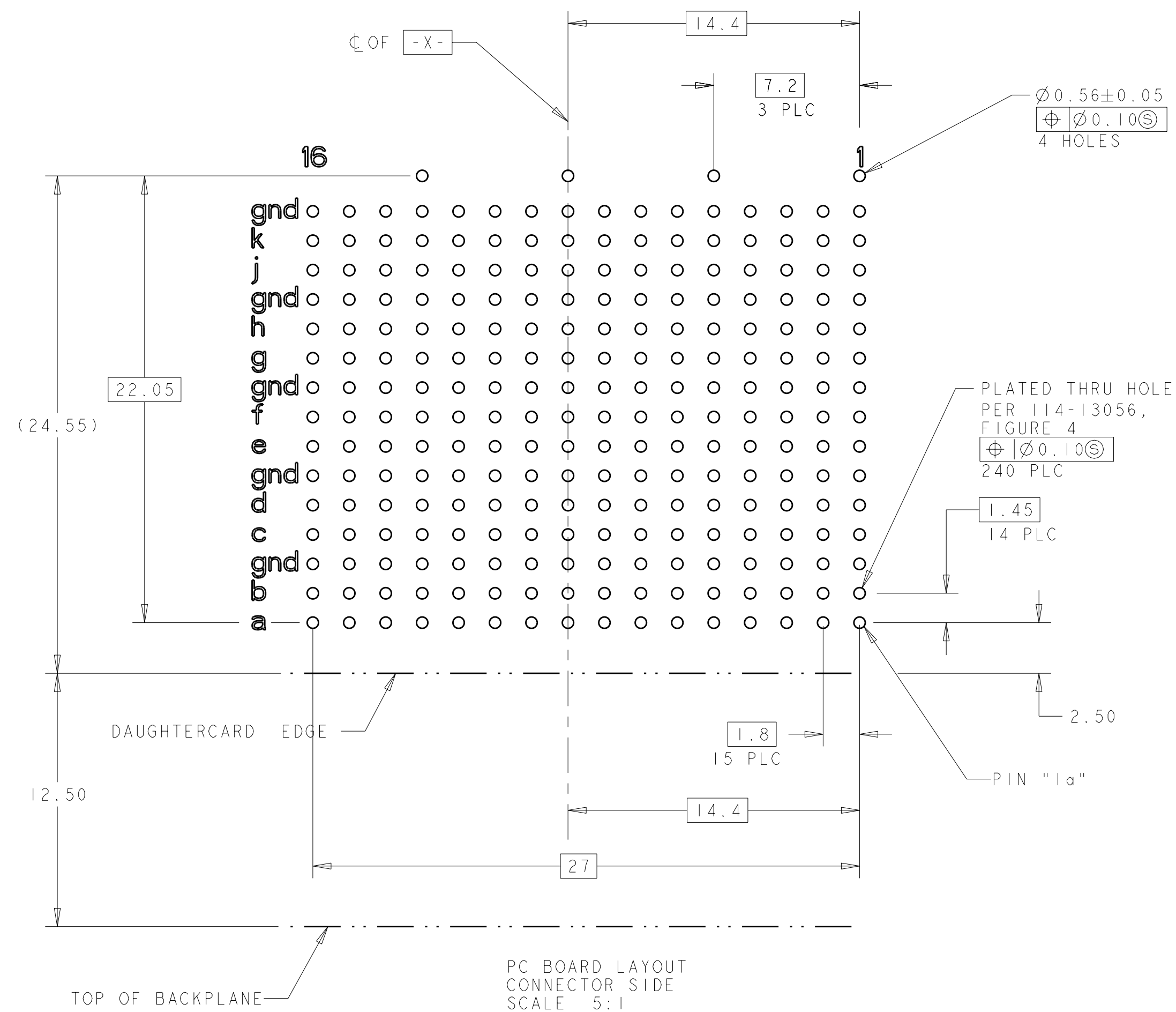
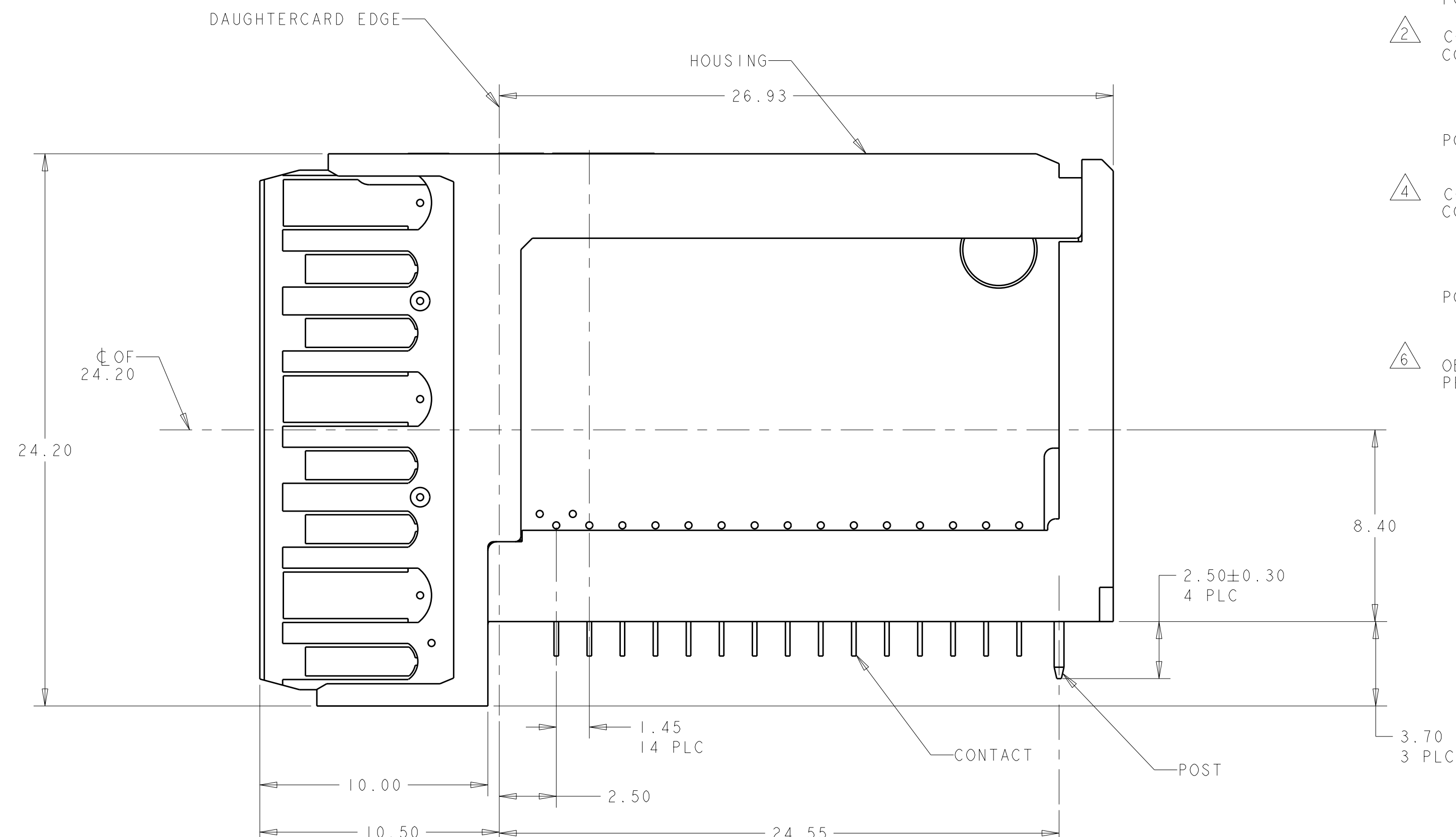
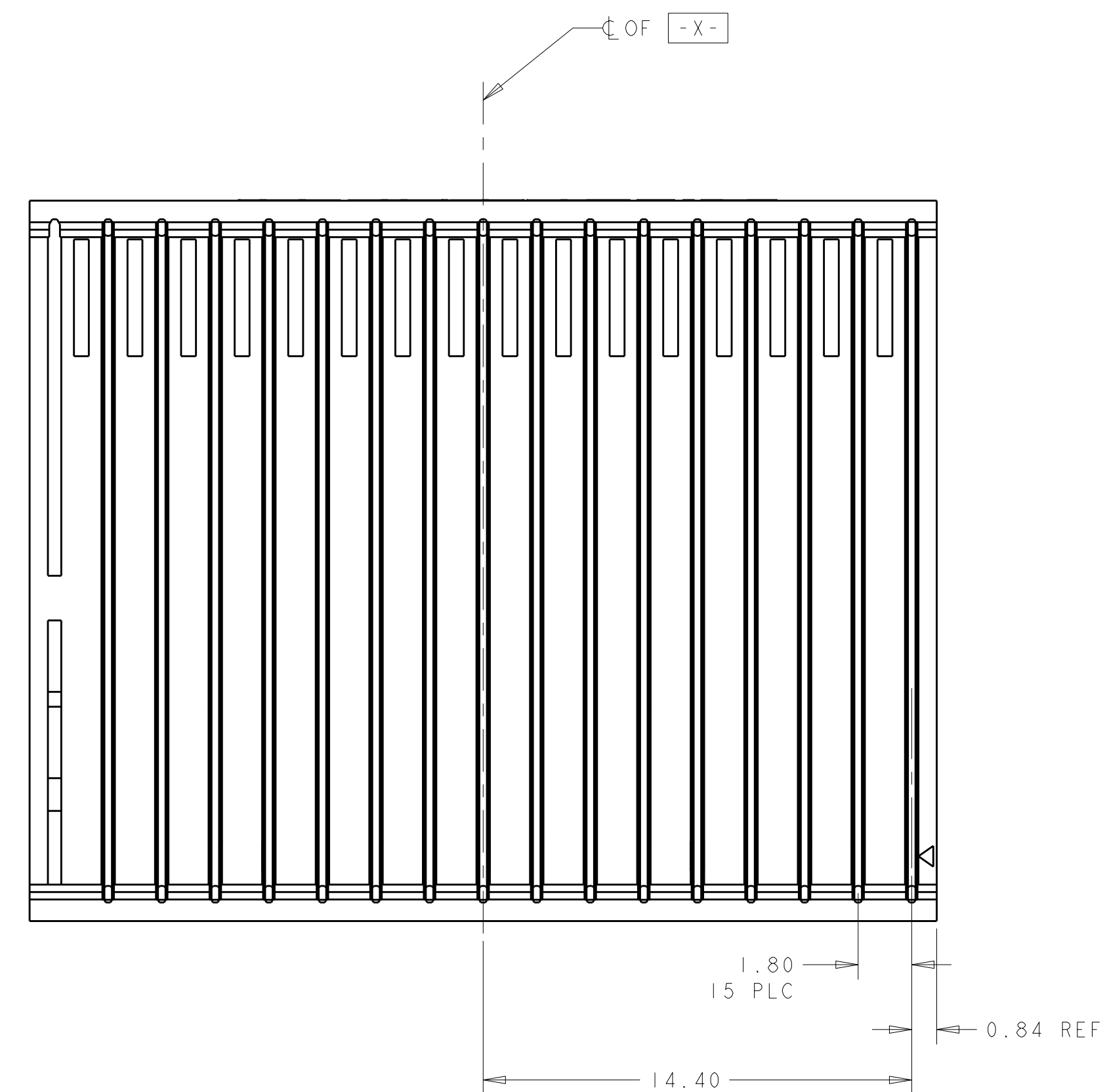


LOC	DIST	REV	DATE	BY	APPD
A1	-	A2	05JUN2012	KH	AS

- REVISIONS
- 1 HOUSING: LCP, UL94V-0, BLACK.
CONTACT: PHOSPHOR BRONZE.
POST: BRASS WIRE.
 - 2 CONTACT: 0.76 μm GOLD PER ASTM B 488 IN CONTACT AREA,
1.27 μm MIN TIN-LEAD ON PCB TAIL,
OVER 1.27 μm MIN NICKEL PER SAE AMS-00-N-290 OVER ALL.
POST: 1.27 μm MIN NICKEL.
 - 4 CONTACT: 0.76 μm GOLD PER ASTM B 488 IN CONTACT AREA,
1.27 μm MIN MATTE TIN PER ASTM B 545 ON PCB TAIL,
OVER 1.27 μm MIN NICKEL PER SAE AMS-00-N-290 OVER ALL.
POST: 1.27 μm MIN NICKEL.
 - 6 OBSOLETE PARTS: OBSOLETE CIS STREAMLINING PER D.RENAUD/D.SINISI



FINISH	DESCRIPTION	PART NO
4	DIFFERENTIAL PAIR, NONSEQUENTIAL	6 1410217-4
4	SINGLE END, NONSEQUENTIAL	1410217-3
2	DIFFERENTIAL PAIR, NONSEQUENTIAL	6 1410217-2
2	SINGLE END, NONSEQUENTIAL	1410217-1

THIS DRAWING IS A CONTROLLED DOCUMENT.

DATE: 03OCT2002
 CHK: D.DEE/RAUGH
 APVD: D.DEE/RAUGH

PRODUCT SPEC: 108-2072
 APPLICATION SPEC: 114-13056

SIZE: 114-13056
 WEIGHT: -

CUSTOMER DRAWING

SCALE: 8:1 SHEET 1 OF 1 REV A2

STE TE Connectivity

NAME: RIGHT ANGLE PLUG ASSEMBLY, RIGHT END, FULL, 25.4mm, MultiGig RT 1, DAUGHTERCARD CONNECTOR

SIZE: 114-13056
 WEIGHT: -
 CUSTOMER DRAWING