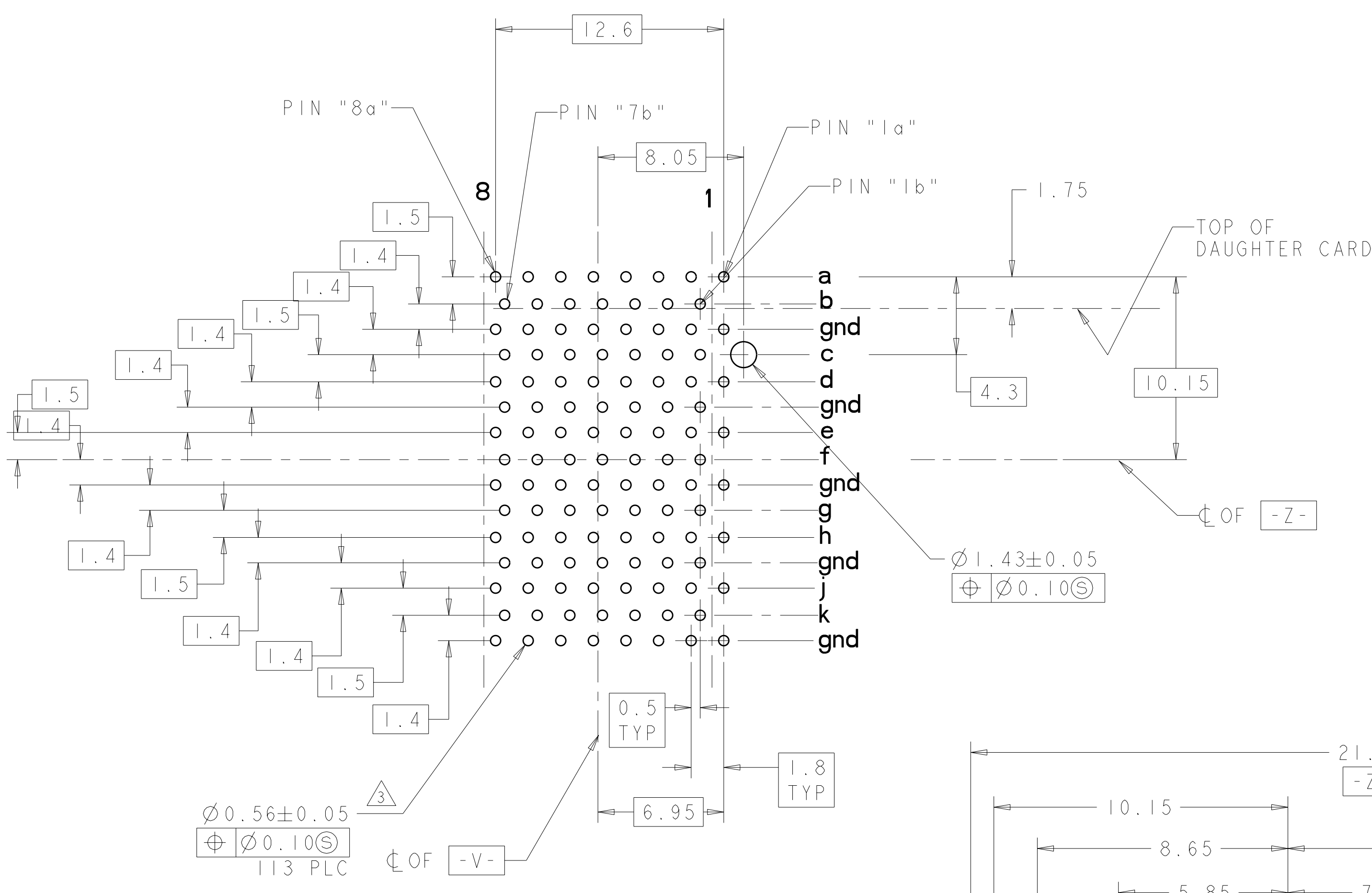
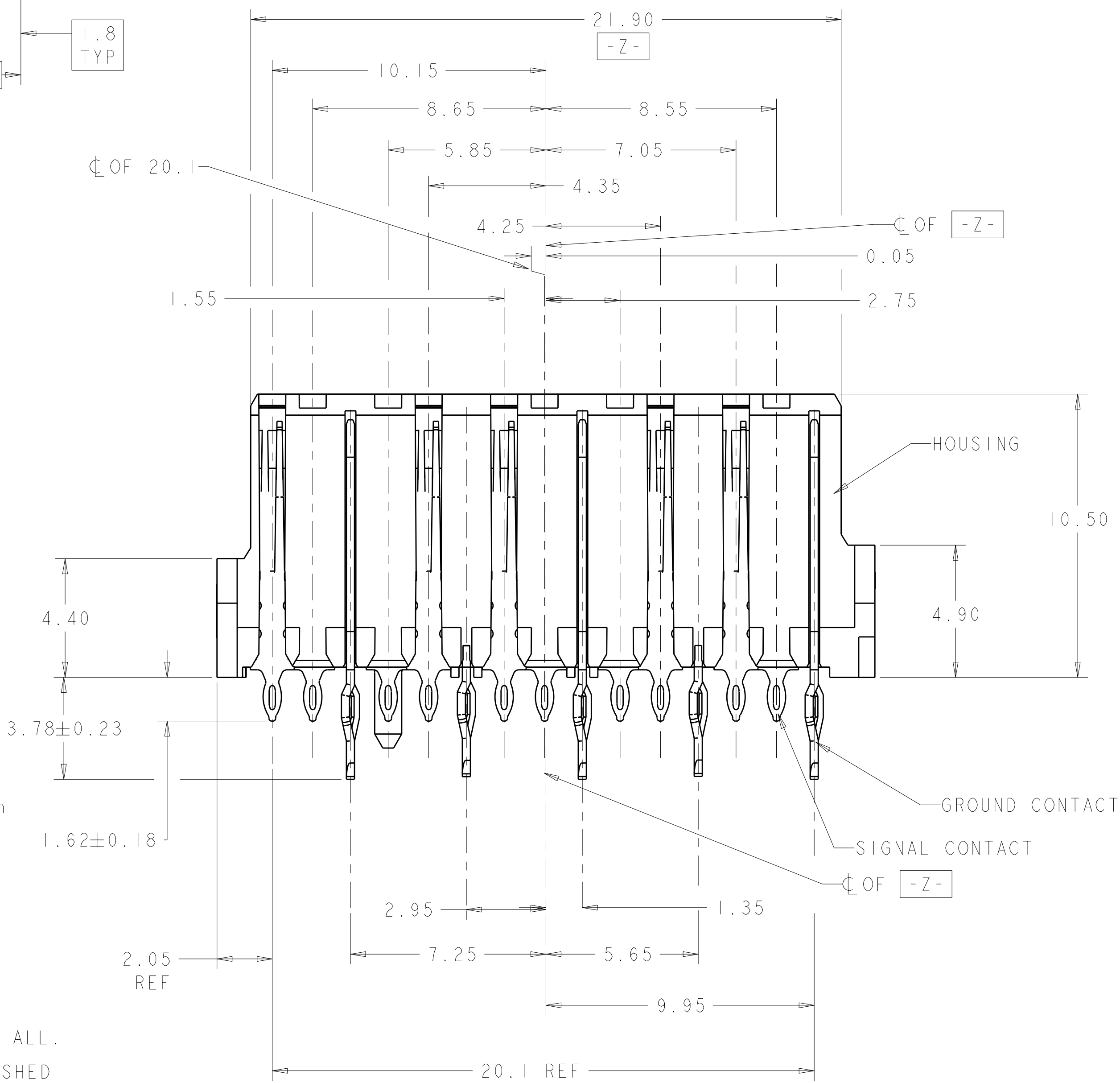
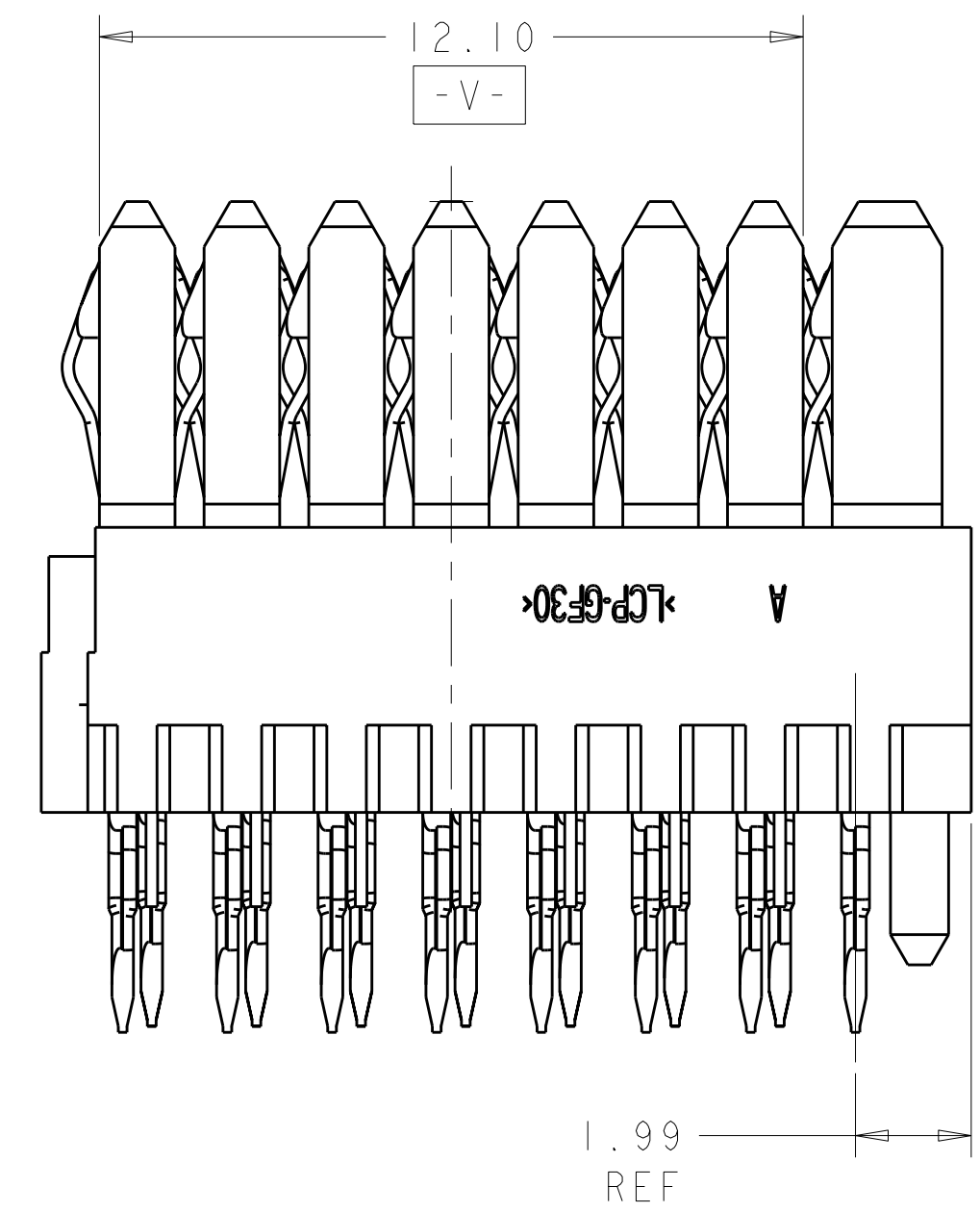
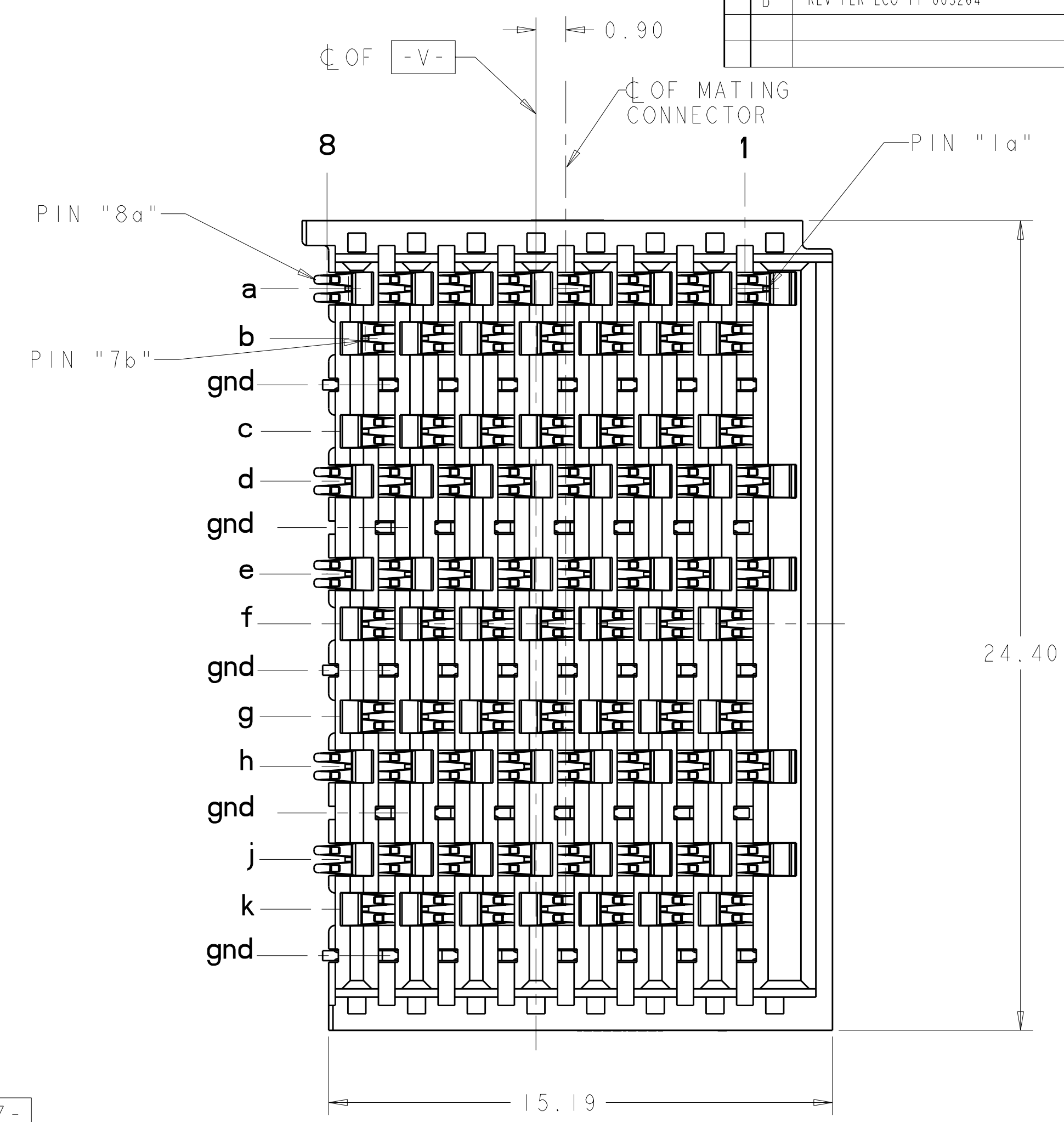


REVISONS		DATE	DWN	APVD
A	EC 0512-0341-04	29JUL2004	BW	GG
B	REV PER ECO-11-003264	25AUG2011	RG	AS



PC BOARD FOOTPRINT
 VIEWED FROM CONNECTOR SIDE
 SCALE 5:1



- △ HOUSING: LCP, UL94V-0, BLACK.
CONTACT: PHOSPHOR BRONZE.
- △ 1.27µm GOLD PER ASTM B 488 IN CONTACT AREA, 1.27µm MIN TIN-LEAD ON PCB TAIL, OVER 3.81µm MIN NICKEL PER SAE AMS-QQ-N-290 OVER ALL.
- △ MANUFACTURING TOLERANCE FOR Ø0.56 ±0.05 DIAMETER FINISHED HOLE:
DRILLED HOLE: Ø0.65 ±0.02
COPPER PLATING: 0.050 - 0.025
TIN-LEAD PLATING: 0.0124 - 0.0038.
- △ 1.27 µm GOLD PER ASTM B 488 IN CONTACT AREA, 1.27 µm MIN MATTE TIN PER ASTM B 545 ON PCB TAIL, OVER 3.81 µm MIN NICKEL PER SAE AMS-QQ-N-290 OVER ALL.
- △ MANUFACTURING TOLERANCE FOR A Ø 0.575 ±0.045 FINISHED HOLE WITHOUT TIN LEAD PLATING:
DRILLED HOLE: Ø0.65 ±0.02
COPPER PLATING: 0.025 - 0.050

4	5	1410231-2
2	3	1410231-1
CONTACT TAIL/HOLE FINISH		PART NO

DIMENSIONS: mm TOLERANCES UNLESS OTHERWISE SPECIFIED: 9 PLC ±0.5 1 PLC ±0.13 5 PLC ±0.13 4 PLC ±0.13 ANGLES ±1°		DWN: VAN SCO CHK: N. RESEB APVD: D. DEBRAUGH DATE: 24SEP2001 PRODUCT SPEC: 108-2072 APPLICATION SPEC: 114-13056 WEIGHT: - CUSTOMER DRAWING	Tyco Electronics Harrisburg, PA 17105-3608 NAME: VERTICAL RECEPTACLE ASSEMBLY, LEFT END, HALF, 25.4 mm, MultiGig RT-1, BACKPLANE CONNECTOR SIZE: A CAGE CODE: 00779 DRAWING NO: 1410231 SCALE: 8:1 SHEET: 1 OF 1 REV: B
---	--	---	---