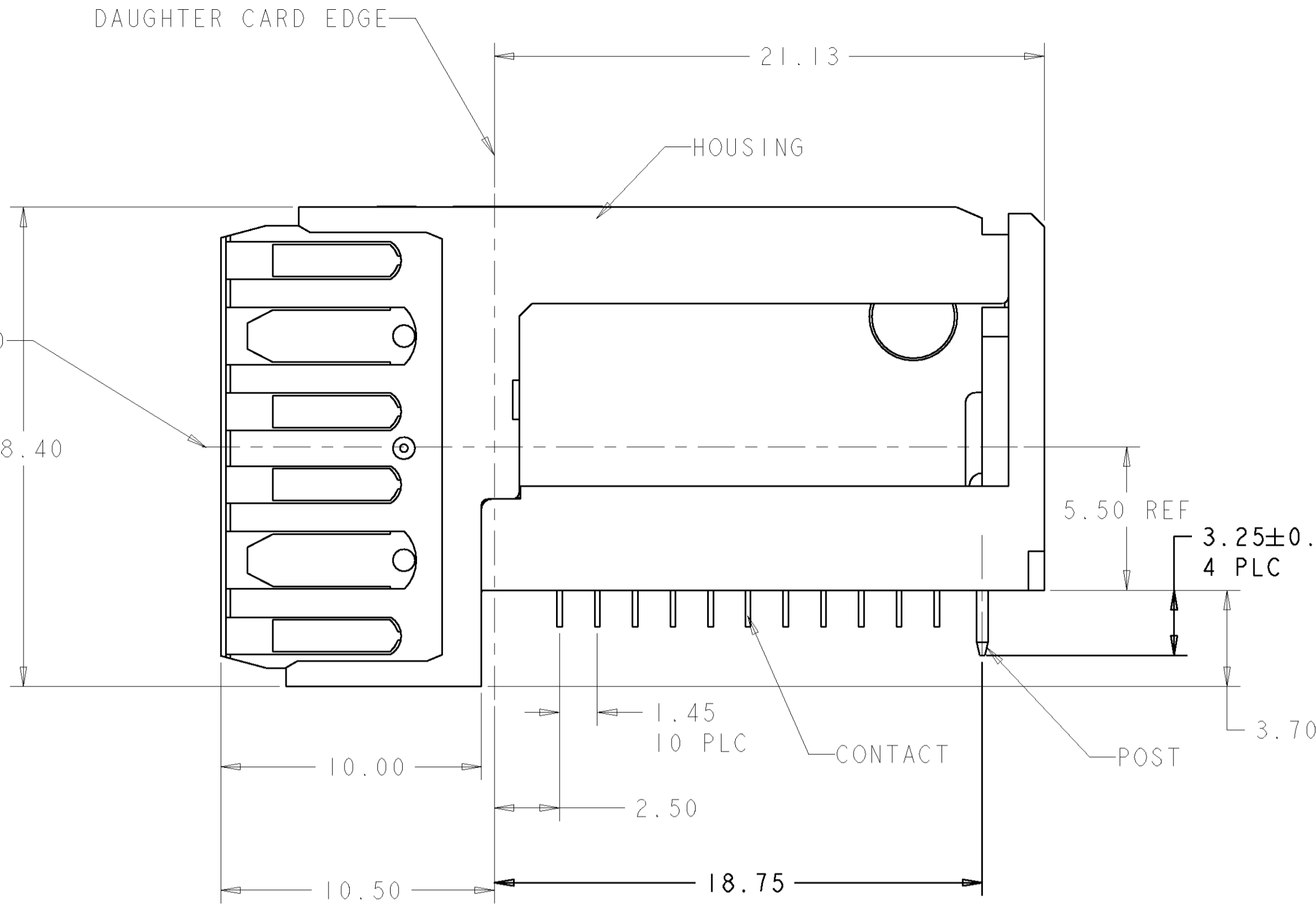
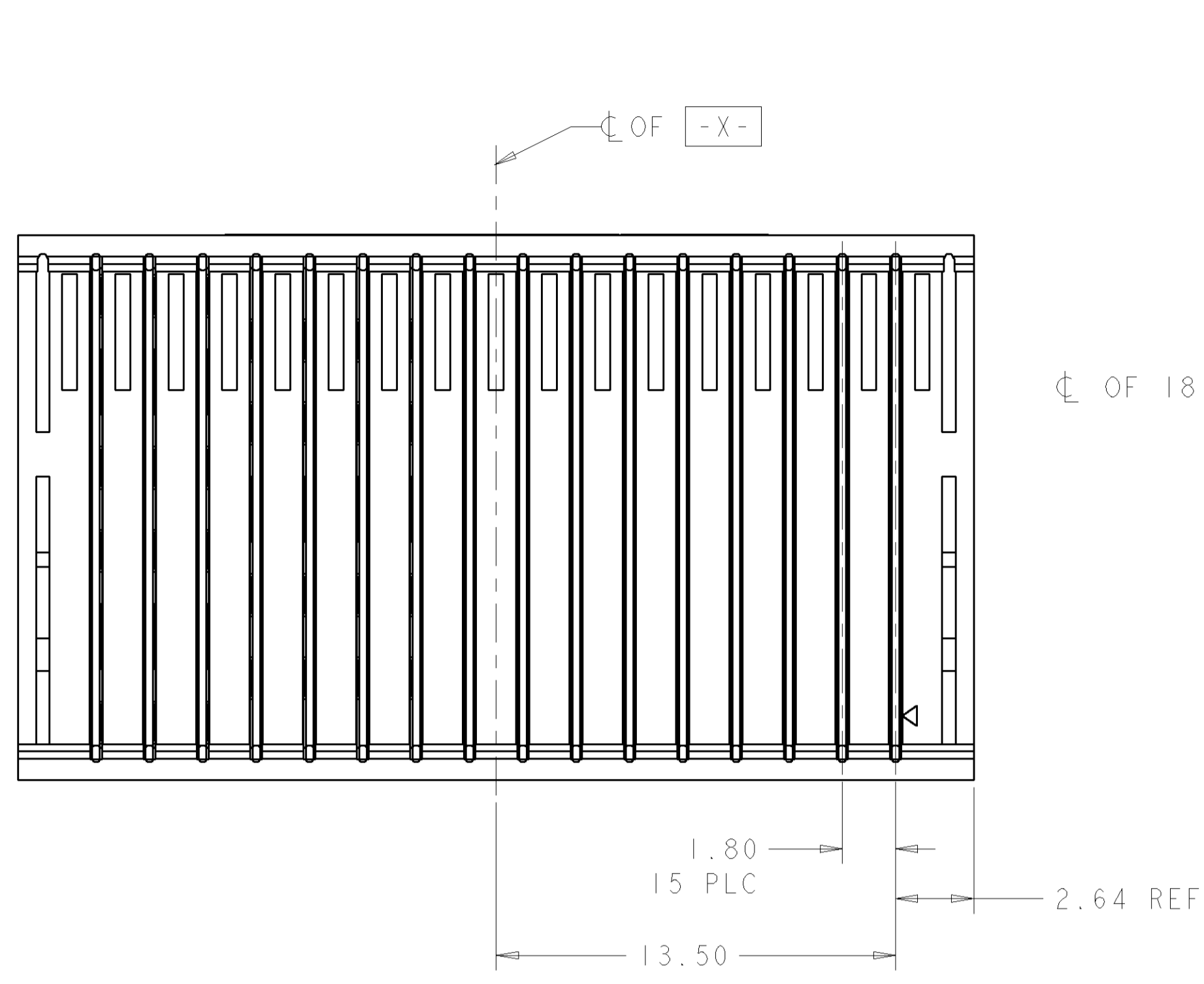
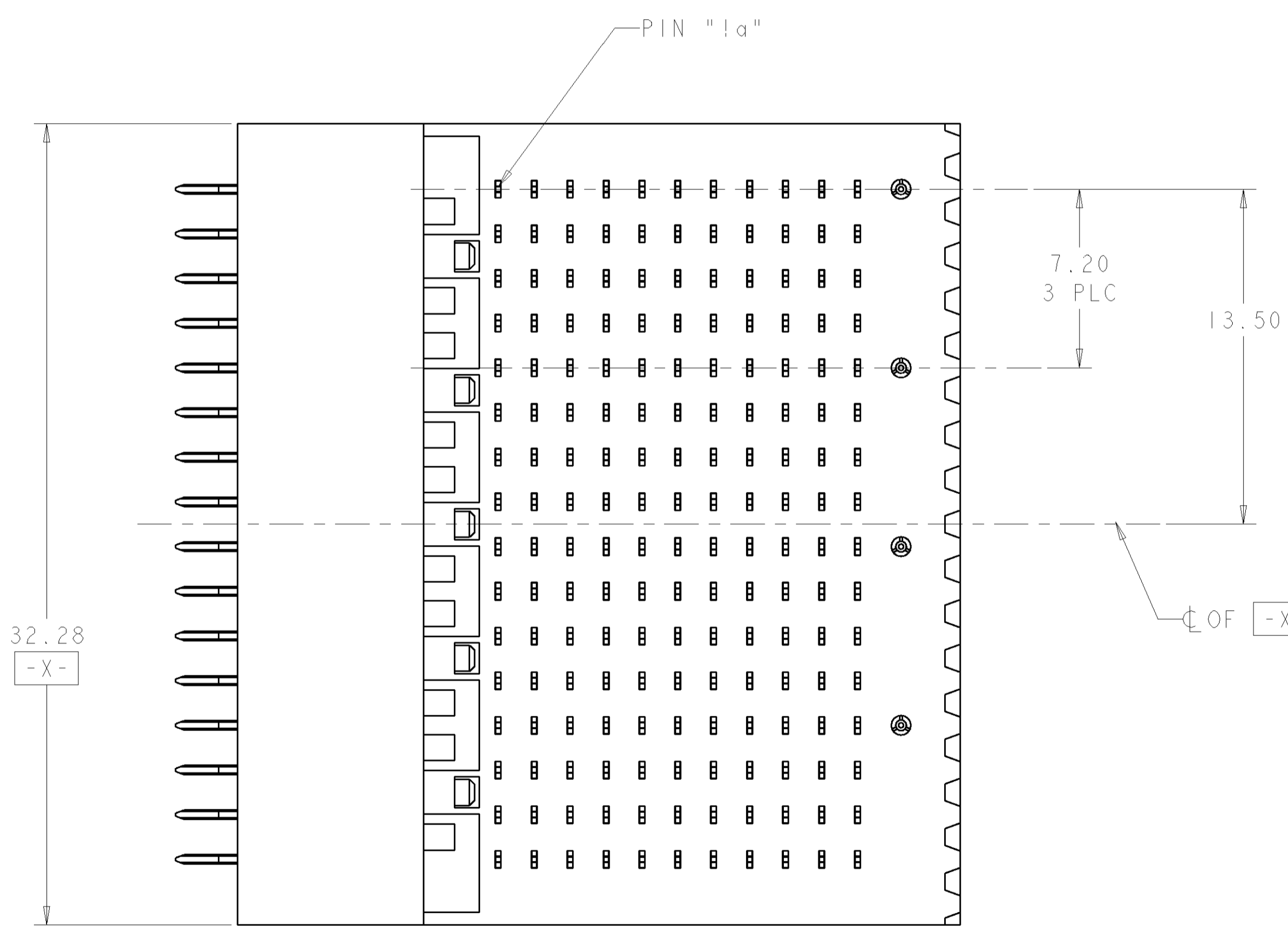
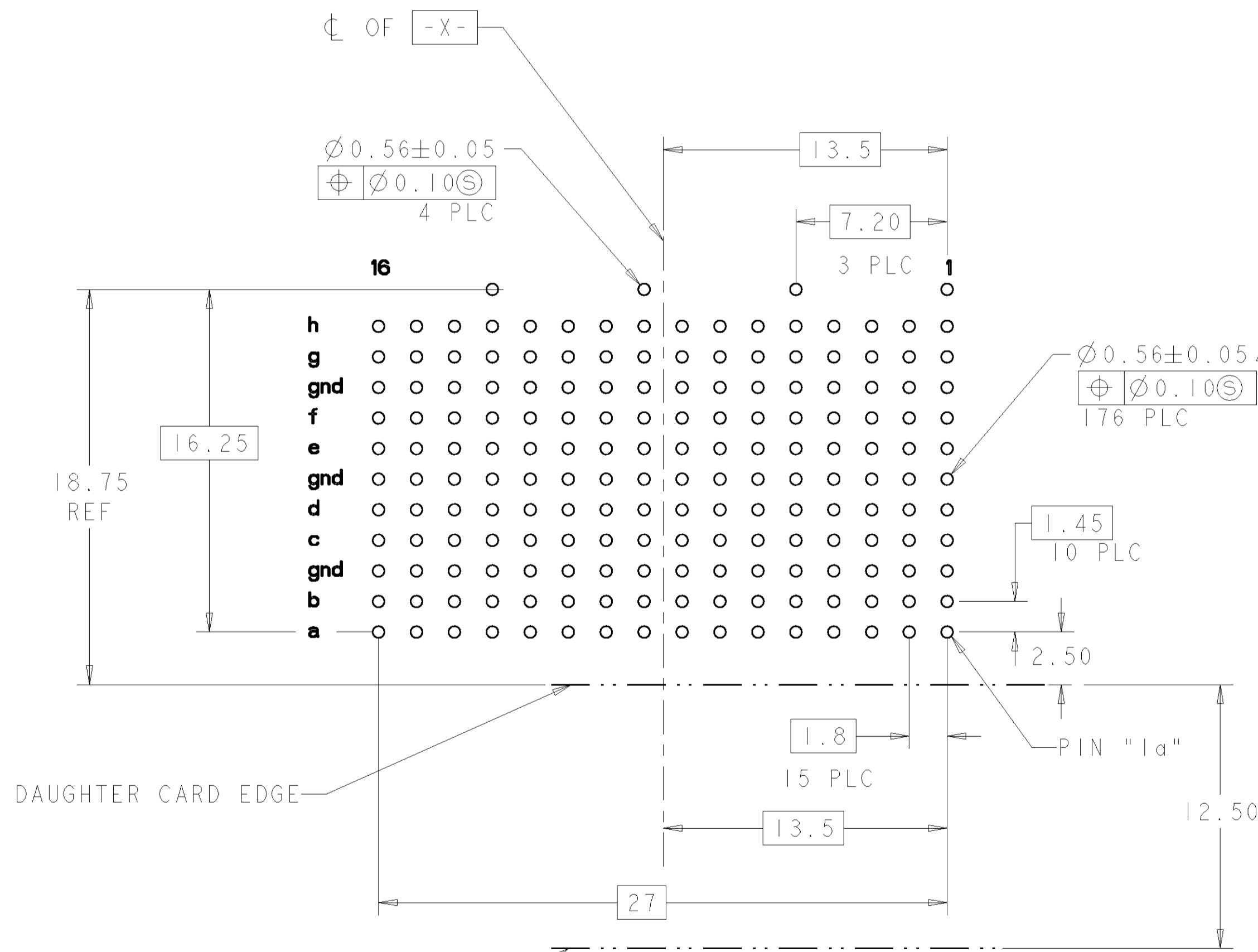


LOC	DIST	REV	DATE	DWN	APVD
AD	00	A	09AUG2004	BW	GG



- 1 HOUSING: LCP, UL94V-0, BLACK.
CONTACT: PHOSPHOR BRONZE.
POST: BRASS WIRE.
- 2 CONTACT: 0.76 μm GOLD PER ASTM B 488 IN CONTACT AREA,
1.27 μm MIN TIN-LEAD ON PCB TAIL,
OVER 1.27 μm MIN NICKEL PER SAE AMS-QQ-N-290 OVER ALL.
POST: 1.27 μm MIN NICKEL.
- 3 MANUFACTURING TOLERANCE FOR A Ø 0.56 ± 0.05 FINISHED HOLE.
DRILLED HOLE: Ø 0.65 ± 0.02
COPPER PLATE: 0.050-0.025
TIN/LEAD PLATE: 0.0124-0.0038
- 4 CONTACT: 0.76 μm GOLD PER ASTM B 488 IN CONTACT AREA,
1.27 μm MIN MATTE TIN PER ASTM B 545 ON PCB TAIL,
OVER 1.27 μm MIN NICKEL PER SAE AMS-QQ-N-290 OVER ALL.
POST: 1.27 μm MIN NICKEL.
- 5 MANUFACTURING TOLERANCE FOR A Ø 0.575 ± 0.045 FINISHED HOLE WITHOUT TIN LEAD PLATING:
DRILLED HOLE: Ø 0.65 ± 0.02
COPPER PLATING: 0.025 - 0.050



CONTACT TAIL/HOLE FINISH	DESCRIPTION	PART NO
4	DIFFERENTIAL PAIR, NONSEQUENTIAL	1410421-4
4	SINGLE END, NONSEQUENTIAL	1410421-3
2	DIFFERENTIAL PAIR, NONSEQUENTIAL	1410421-2
2	SINGLE END, NONSEQUENTIAL	1410421-1

DIMENSIONS: mm TOLERANCES UNLESS OTHERWISE SPECIFIED: 0 PLC ± 1 PLC ±0.13 3 PLC ±0.013 4 PLC ± ANGLES ±1°		DWN: TREA 12DEC2002 ENR: D. DEFIBAUGH 12DEC2002 APVD: D. DEFIBAUGH 12DEC2002 PRODUCT SPEC: - APPLICATION SPEC: - SIZE: - CAGE CODE: - DRAWING NO: 00779 WEIGHT: - CUSTOMER DRAWING: -	NAME: RIGHT ANGLE, FULL ASSEMBLY, STAND ALONE, FULL, 20.3mm, MULTIGIG RT-1, DAUGHTERCARD CONNECTOR SCALE: 3:1 SHEET: 1 OF 1 REV: A
---	--	--	---