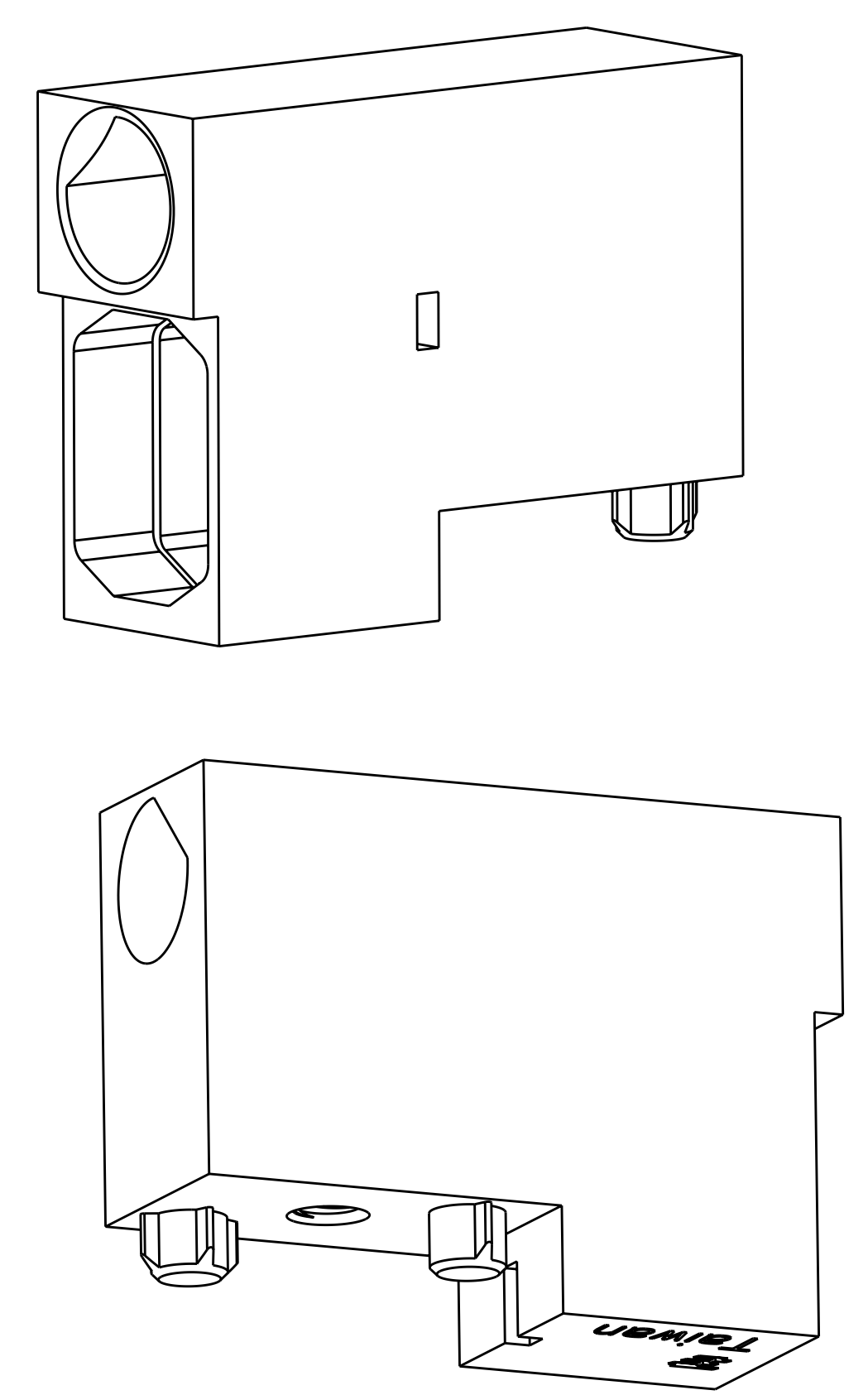
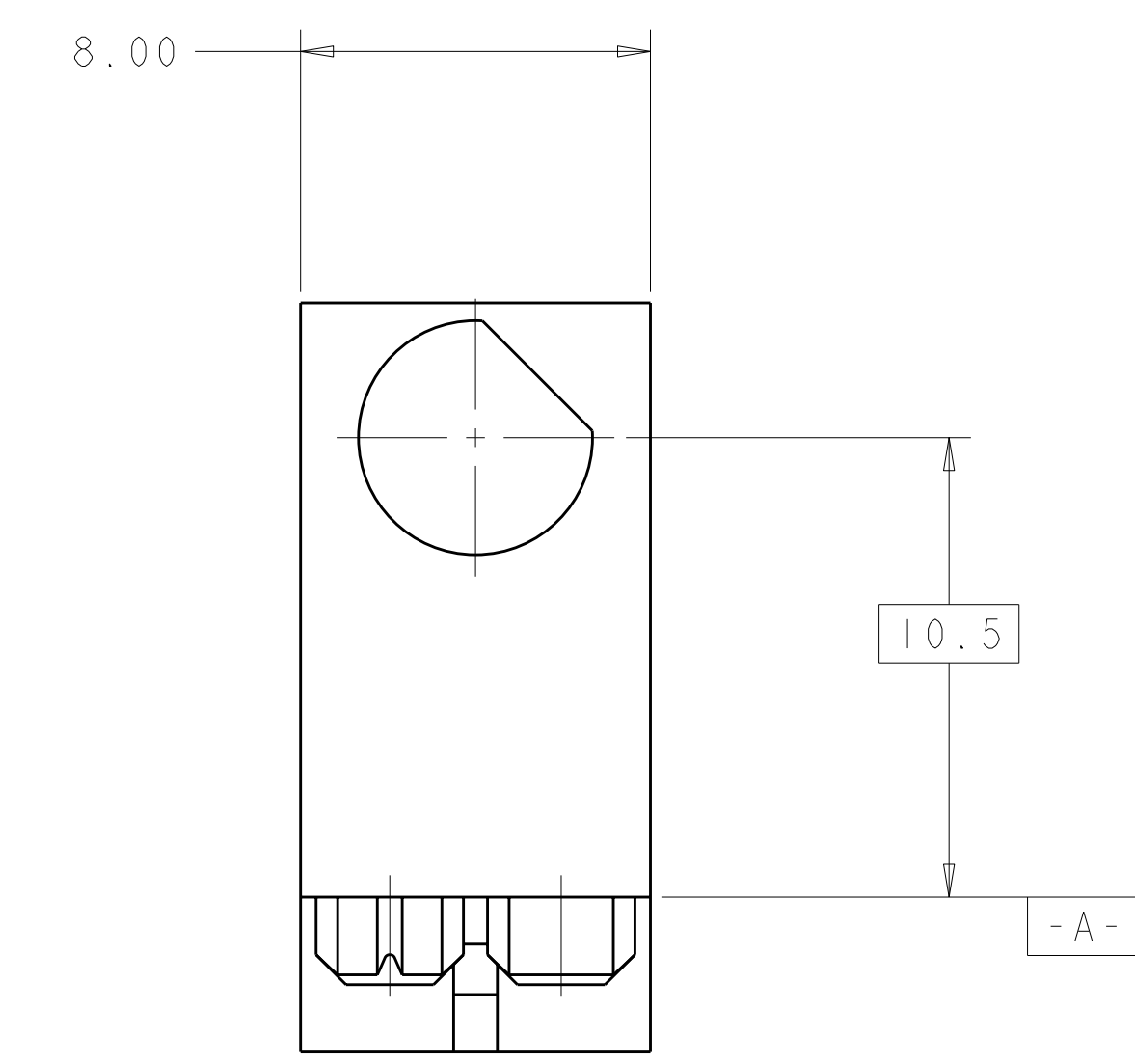
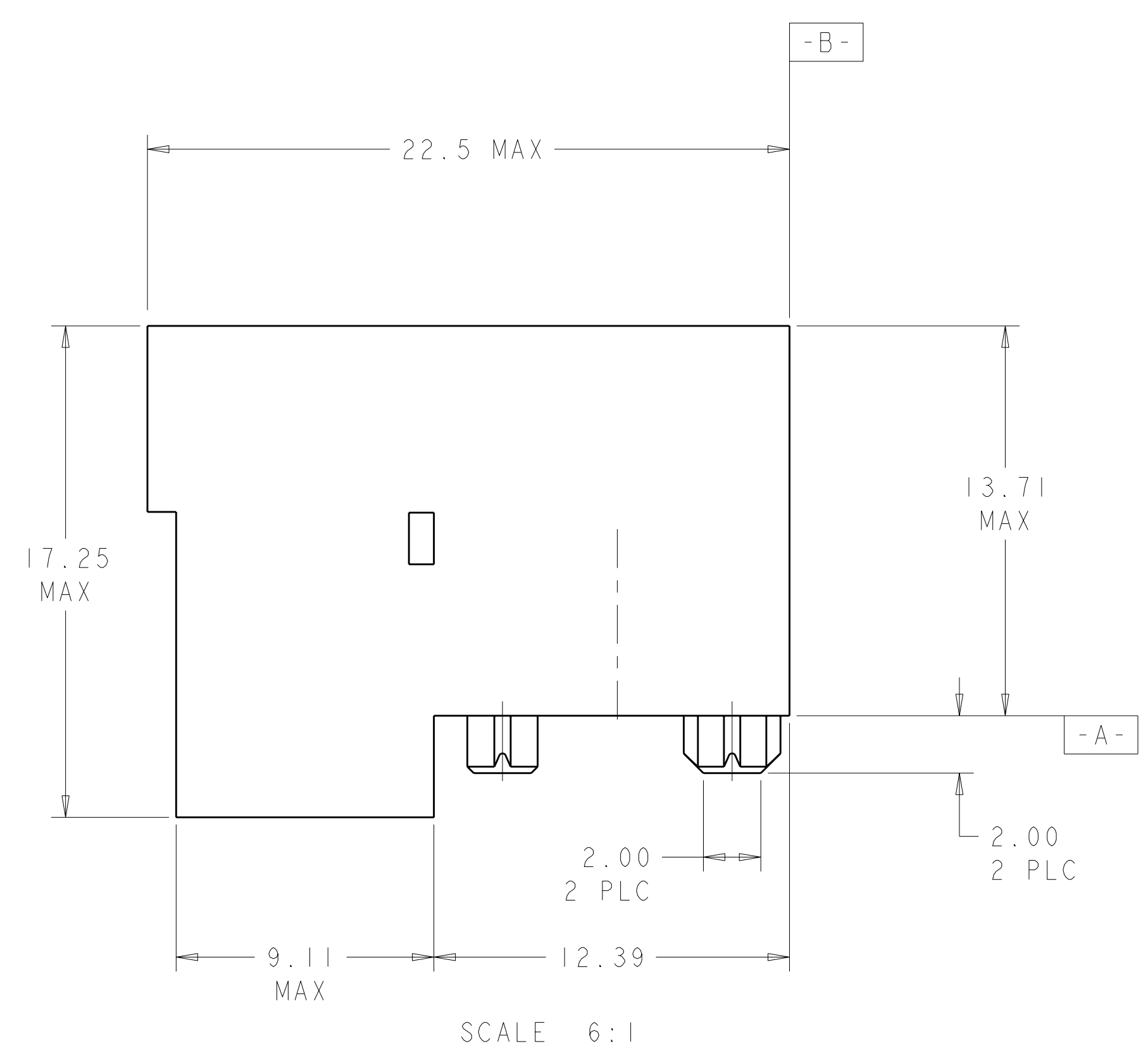
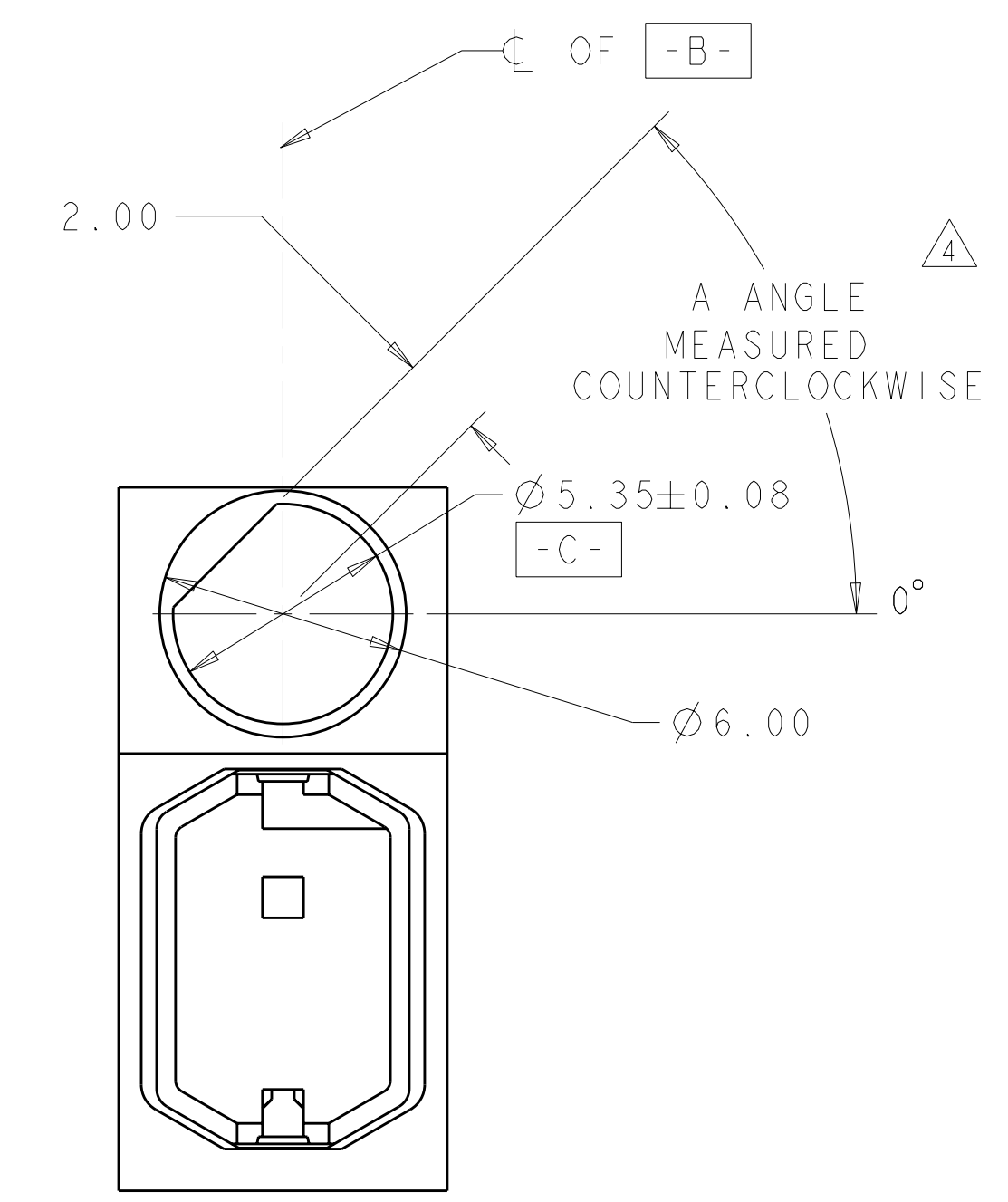


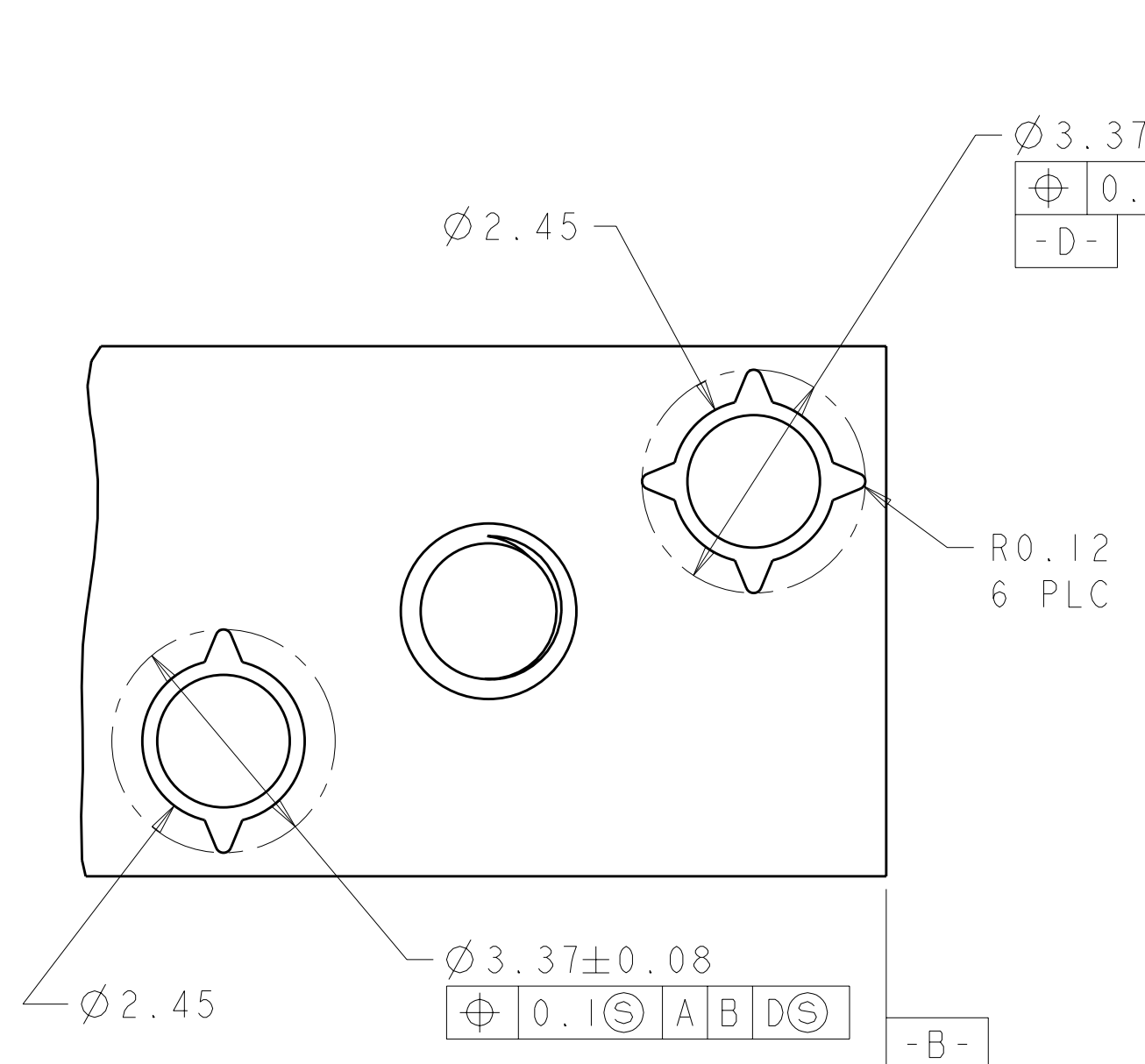
| LOC | DIST | REVISIONS | | | |
|-----|------|-----------|-----------------------|-----------|-------|
| AD | 00 | REV | DATE | BY | APPD |
| | | 1 | PROPOSED | 24APR09 | RT GG |
| | | 2 | REVISED NOTE 1 AND 2 | 12MAY2009 | RT GG |
| | | A | RELEASED | 16JUN2009 | RT RP |
| | | B | REV PER ECO-10-006114 | 13APR2010 | BC DY |

1. ZINC ALLOY
 2. FINISH: CLEAR CHROMATE
- △3 HOLE FOR POSITIVE RETENSION SCREW
- △4 DASH NUMBERS INDICATE KEY ORIENTATION

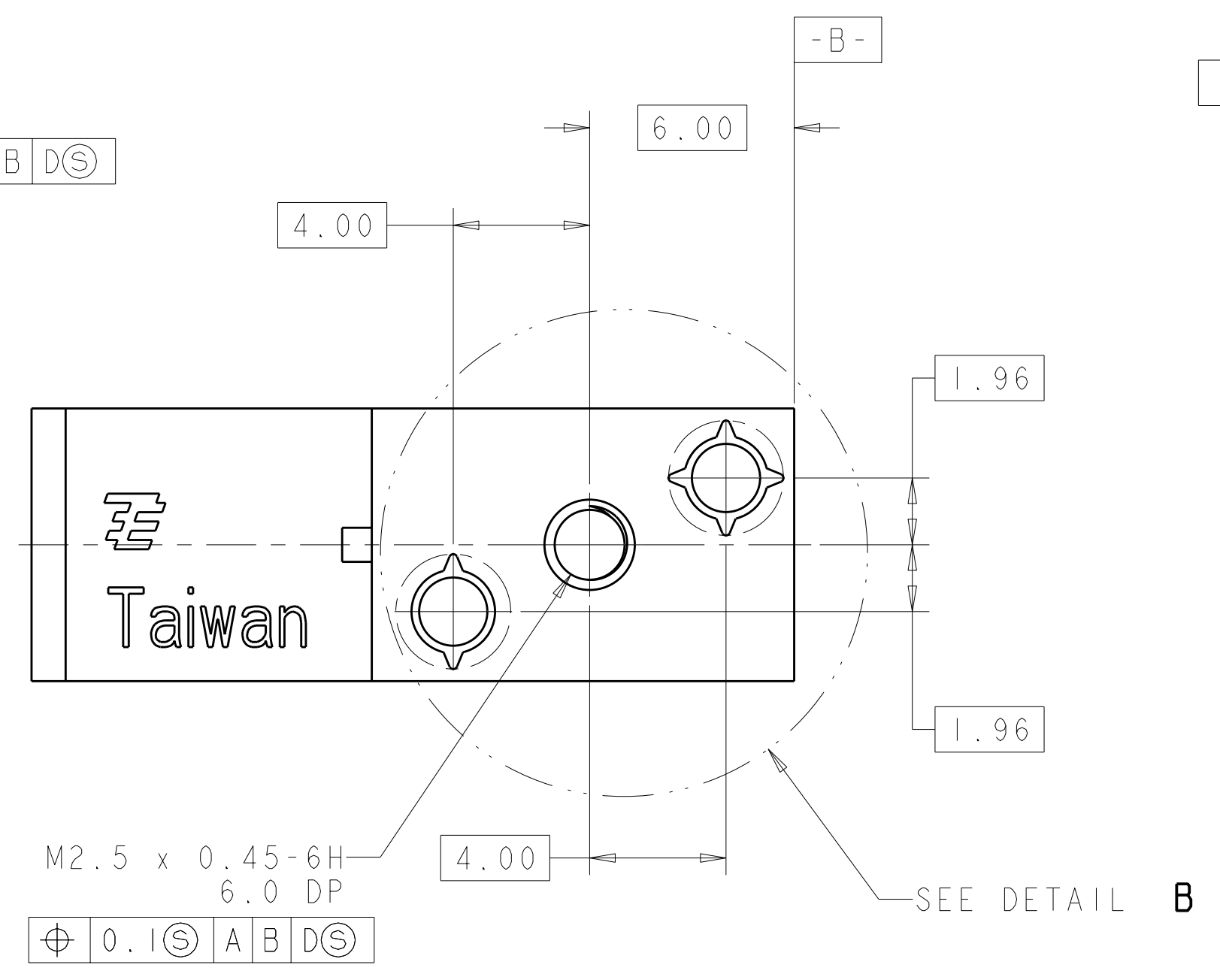


SHOWING 1410465-2

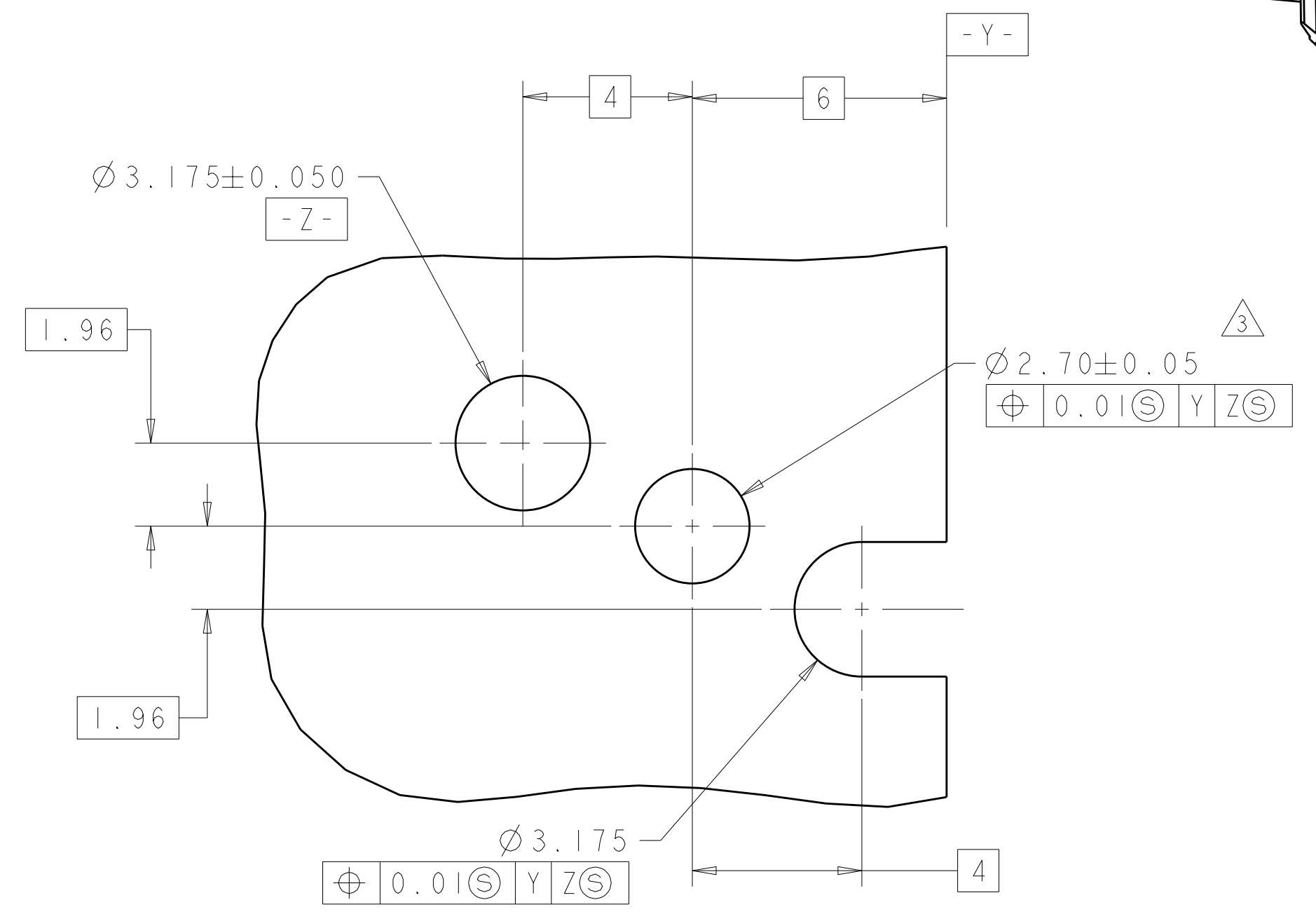
SCALE 6:1



DETAIL B
SCALE 10:1



SEE DETAIL B



PCB LAYOUT
CONNECTOR SIDE
ALL HOLES AND FEATURES
(ARE NON PLATED THROUGH HOLES)

| FINISH | ANGLE | PART NUMBER |
|---------|-------|-------------|
| NO FLAT | | 1410465-9 |
| | 315° | 1410465-8 |
| | 270° | 1410465-7 |
| | 225° | 1410465-6 |
| | 180° | 1410465-5 |
| | 135° | 1410465-4 |
| | 90° | 1410465-3 |
| | 45° | 1410465-2 |
| | 0° | 1410465-1 |

| | | | | | | | |
|-------------------|--|---|--|--|--|---|--|
| DIMENSIONS: mm | | TOLERANCES UNLESS OTHERWISE SPECIFIED: 9 PLC ± 8 PLC ±0.13 5 PLC ±0.013 4 PLC ± ANGLES ± | | DWN R. TREA 24APR2009 CHK G. GRIFFITH 24APR2009 APVD D. YI 13APR2010 | | Tyco Electronics Harrisburg, PA 17105-3608 | |
| MATERIAL: | | FINISH: | | NAME: | | Tyco Electronics KEYING/GUIDE RECEPTACLE, VITA 41 | |
| CUSTOMER DRAWING | | SCALE 5:1 | | SHEET 1 OF 1 | | REV B | |