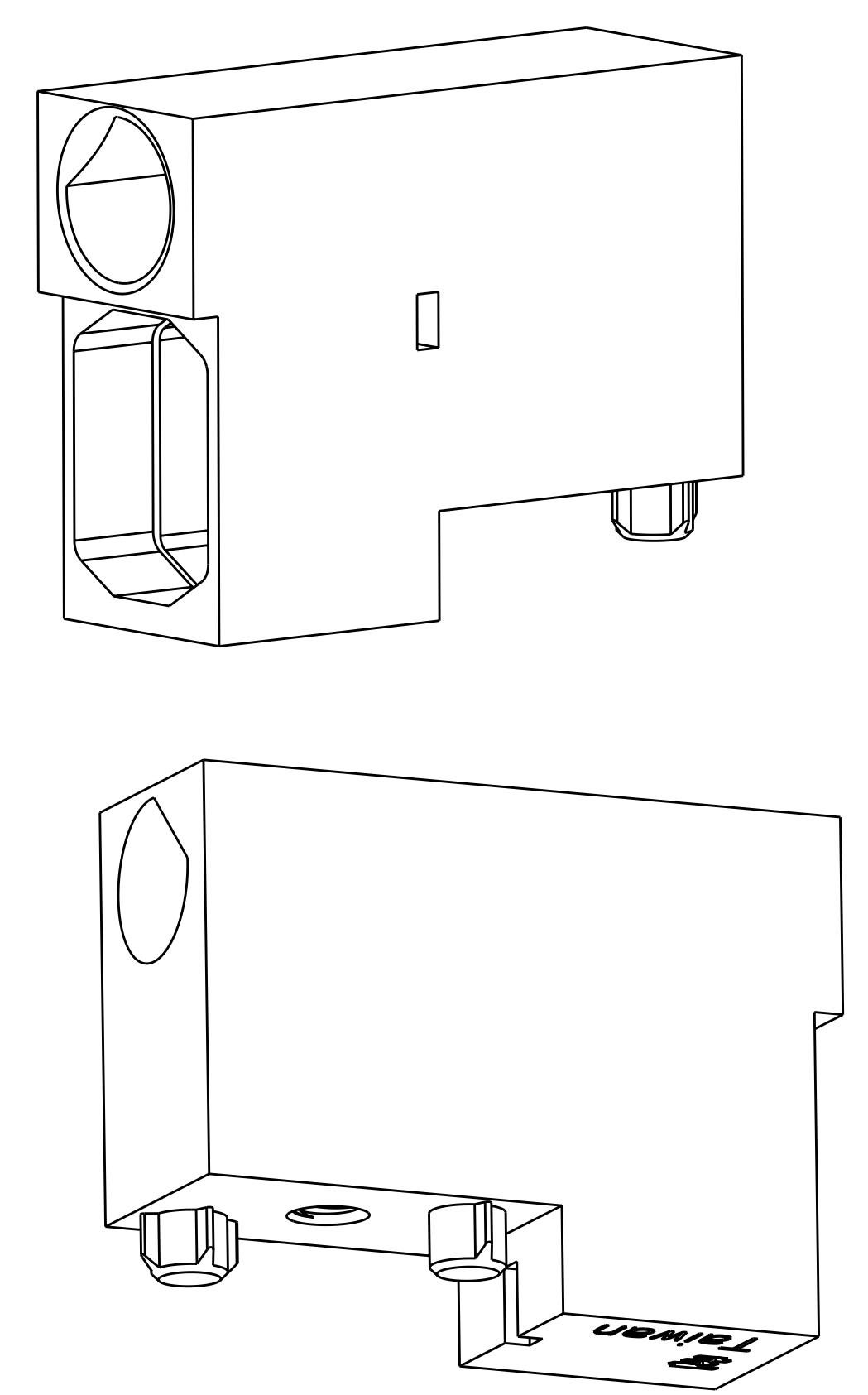
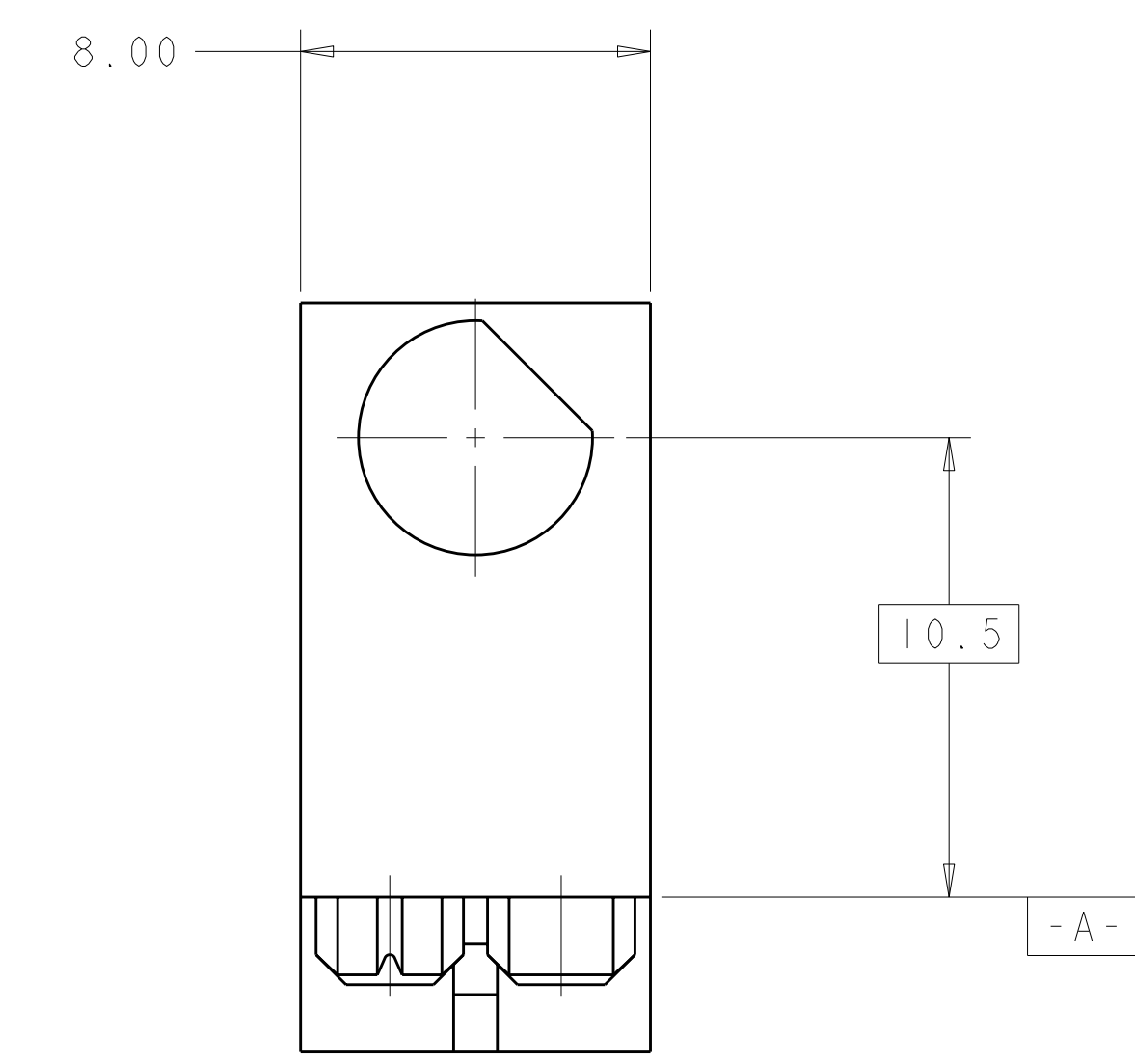
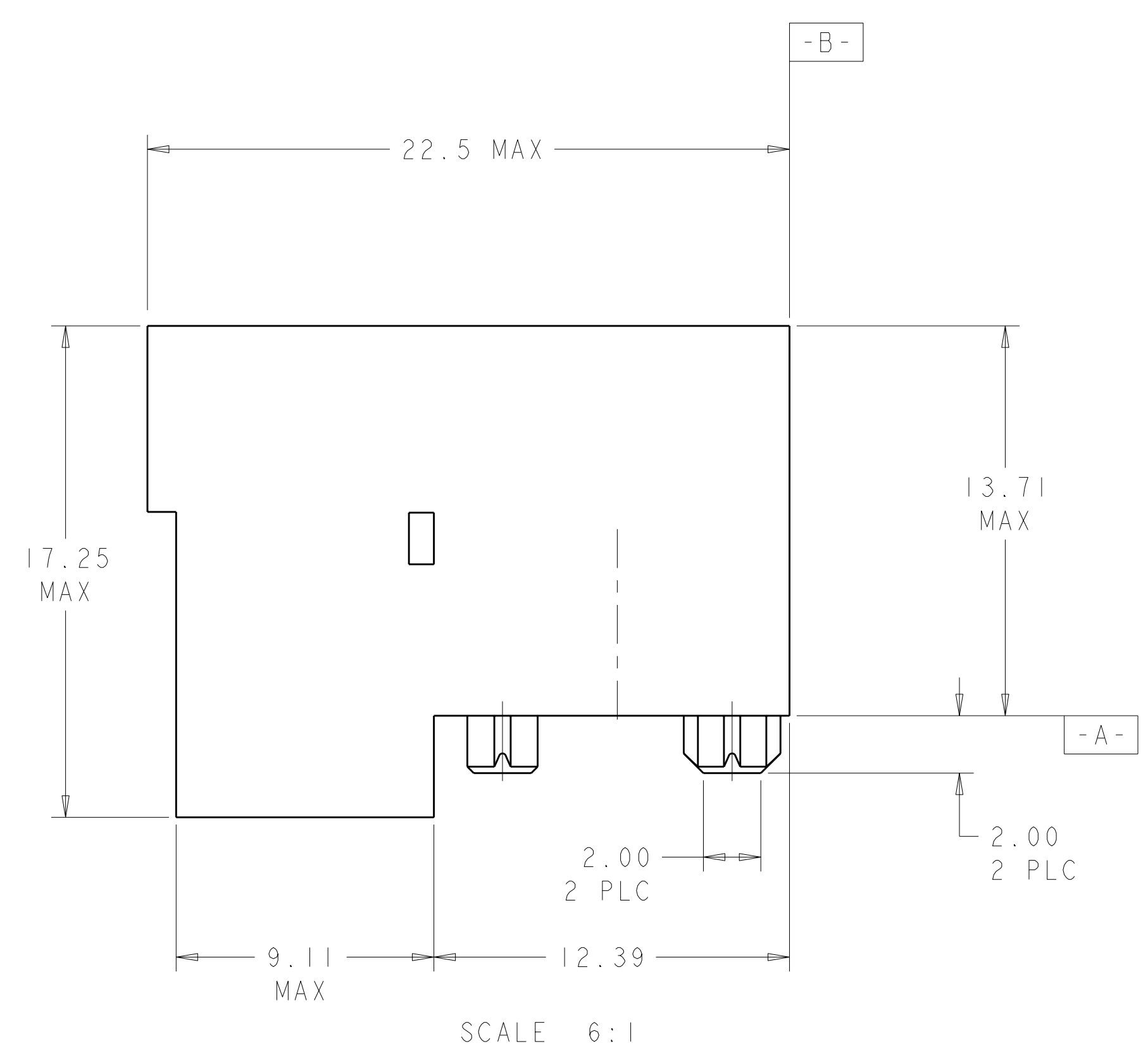
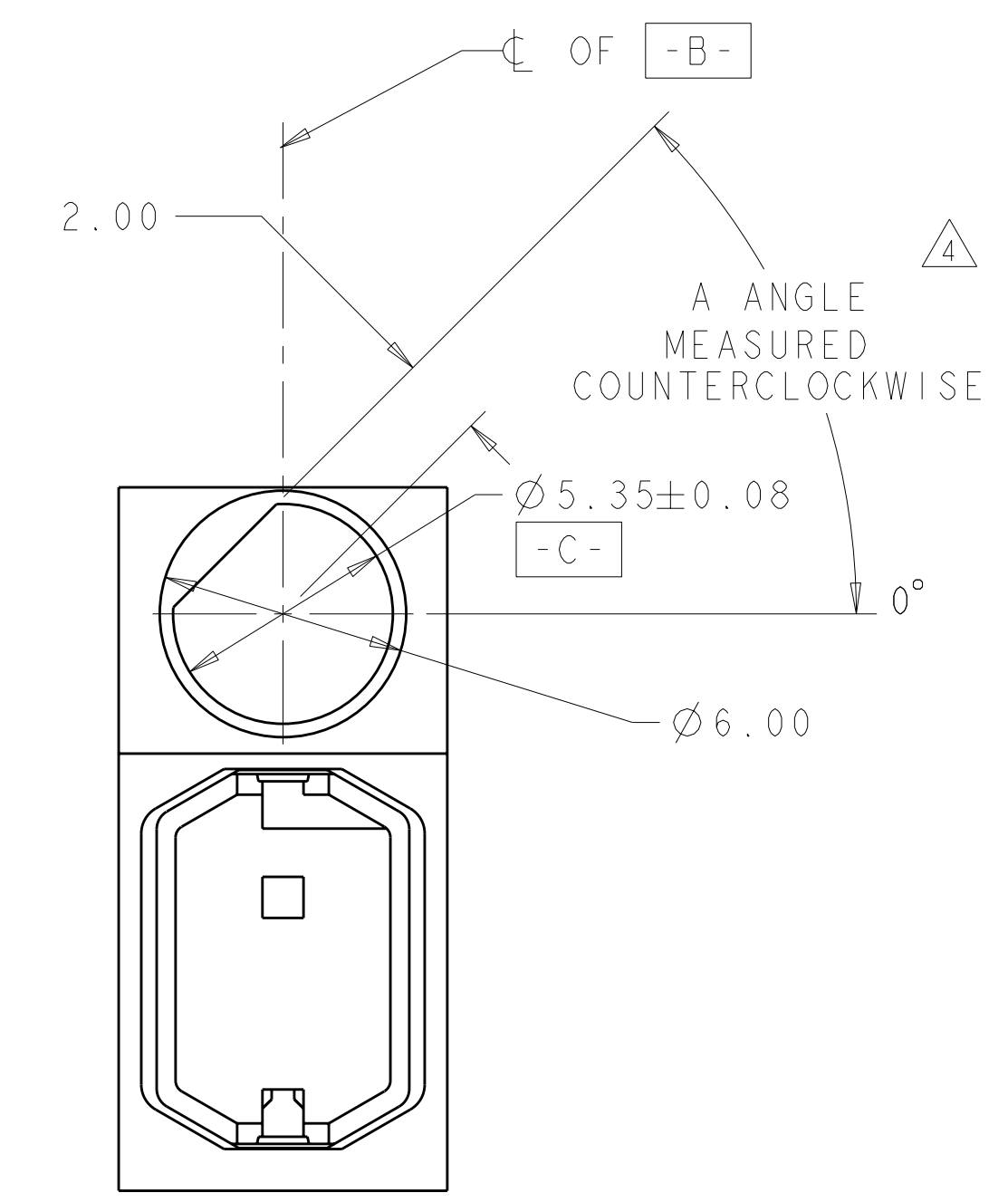
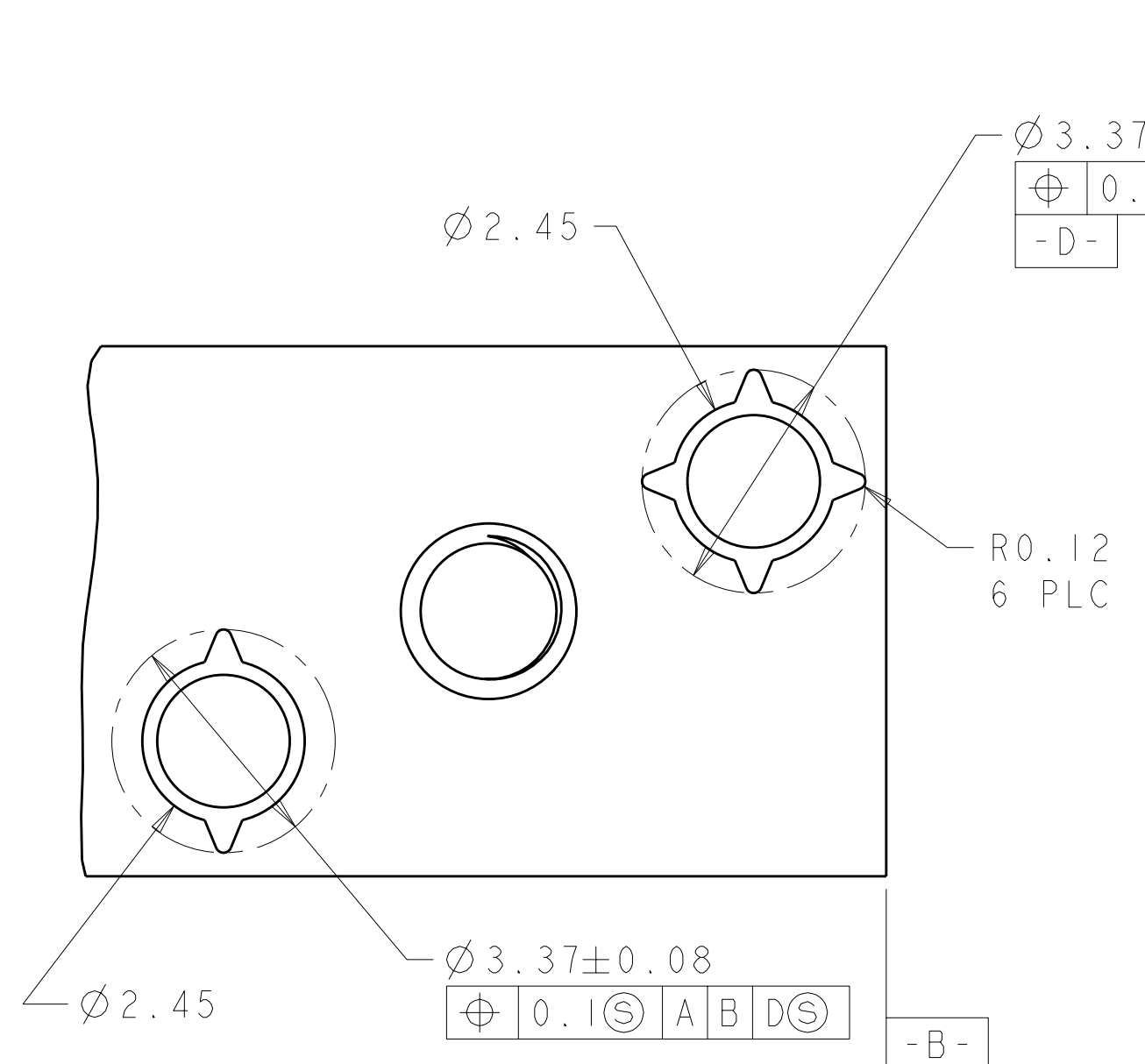


LOC	DIST	REVISIONS			
AD	00	REV	DATE	BY	APPD
		1	PROPOSED	24APR09	RT GG
		2	REVISED NOTE 1 AND 2	12MAY2009	RT GG
		A	RELEASED	16JUN2009	RT RP
		B	REV PER ECO-10-006114	13APR2010	BC DY

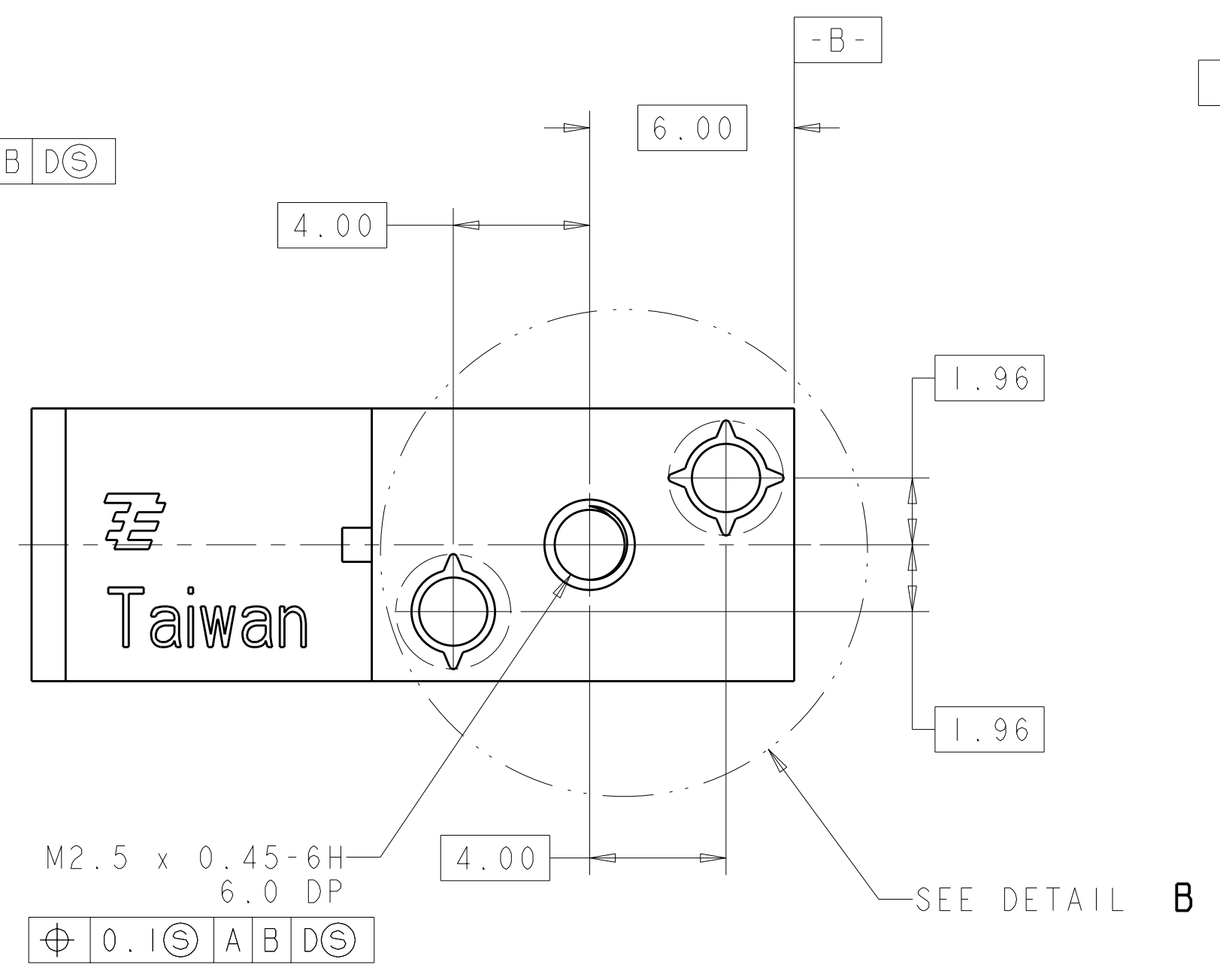
- ZINC ALLOY
 - FINISH: CLEAR CHROMATE
- △ HOLE FOR POSITIVE RETENSION SCREW
 △ DASH NUMBERS INDICATE KEY ORIENTATION



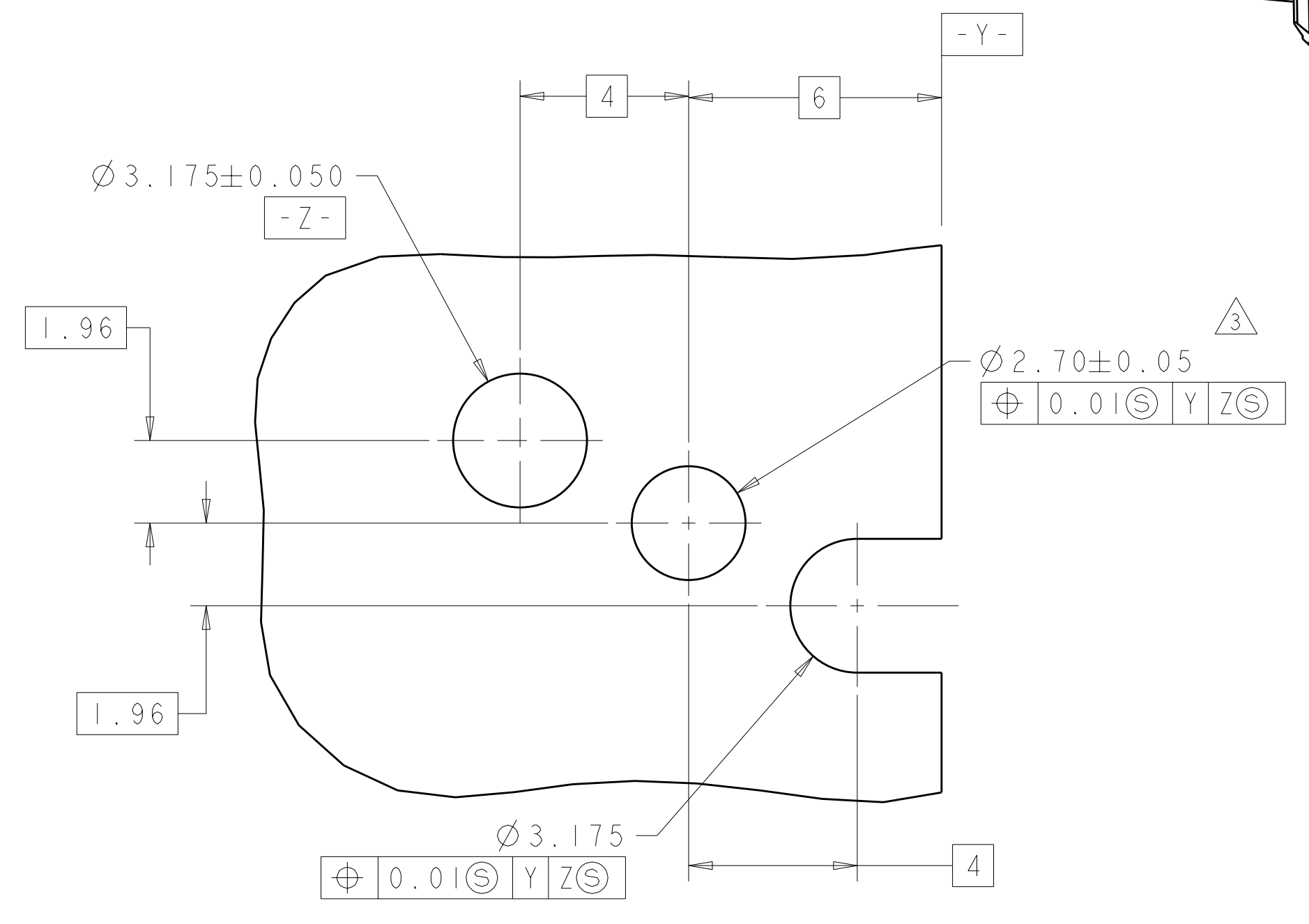
SHOWING 1410465-2



DETAIL B
SCALE 10:1



SEE DETAIL B



PCB LAYOUT
CONNECTOR SIDE
ALL HOLES AND FEATURES
(ARE NON PLATED THROUGH HOLES)

FINISH	ANGLE	PART NUMBER
	NO FLAT	1410465-9
	315°	1410465-8
	270°	1410465-7
	225°	1410465-6
	180°	1410465-5
	135°	1410465-4
	90°	1410465-3
	45°	1410465-2
	0°	1410465-1

DIMENSIONS: mm		TOLERANCES UNLESS OTHERWISE SPECIFIED: 9 PLC ± 8 PLC ±0.13 5 PLC ±0.013 4 PLC ± ANGLES ±		DWN R. TREA 24APR2009 CHK G. GRIFFITH 24APR2009 APVD D. YI 13APR2010		Tyco Electronics Harrisburg, PA 17105-3608	
MATERIAL:		FINISH:		NAME: KEYING/GUIDE RECEPTACLE, VITA 41		SIZE: CAGE CODE: DRAWING NO: A100779C-1410465	
CUSTOMER DRAWING		SCALE: 5:1		SHEET 1 OF 1		REV B	