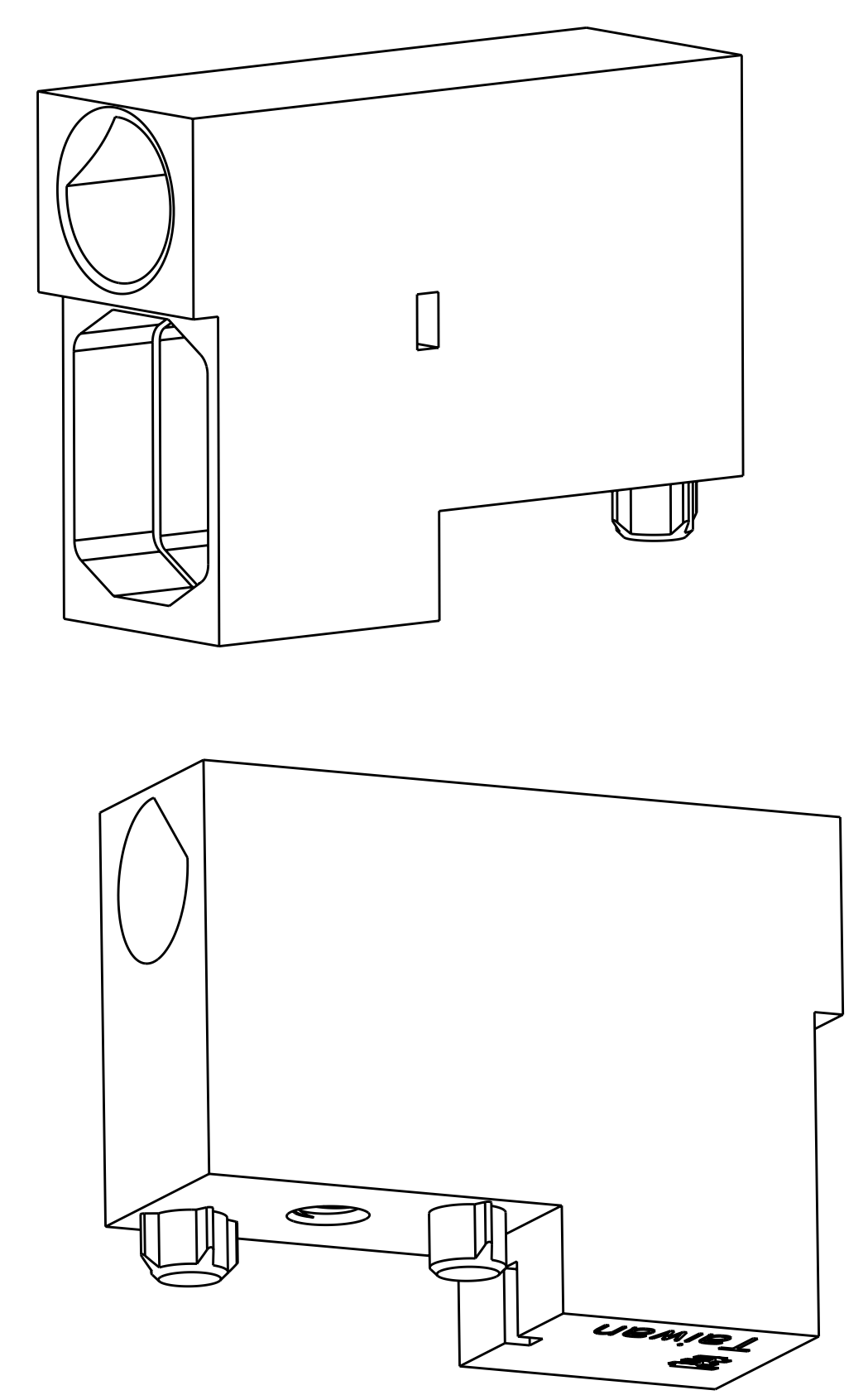
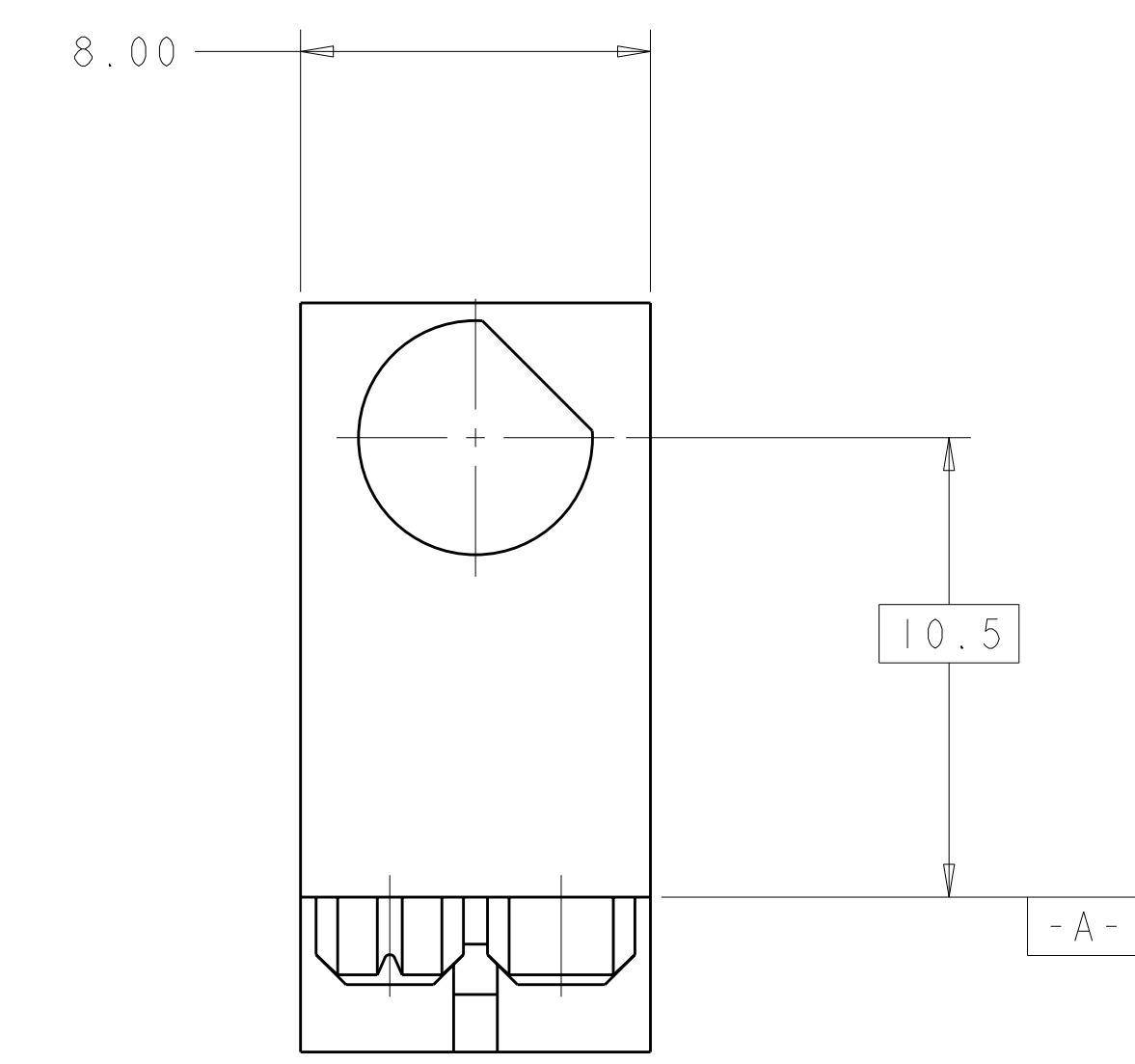
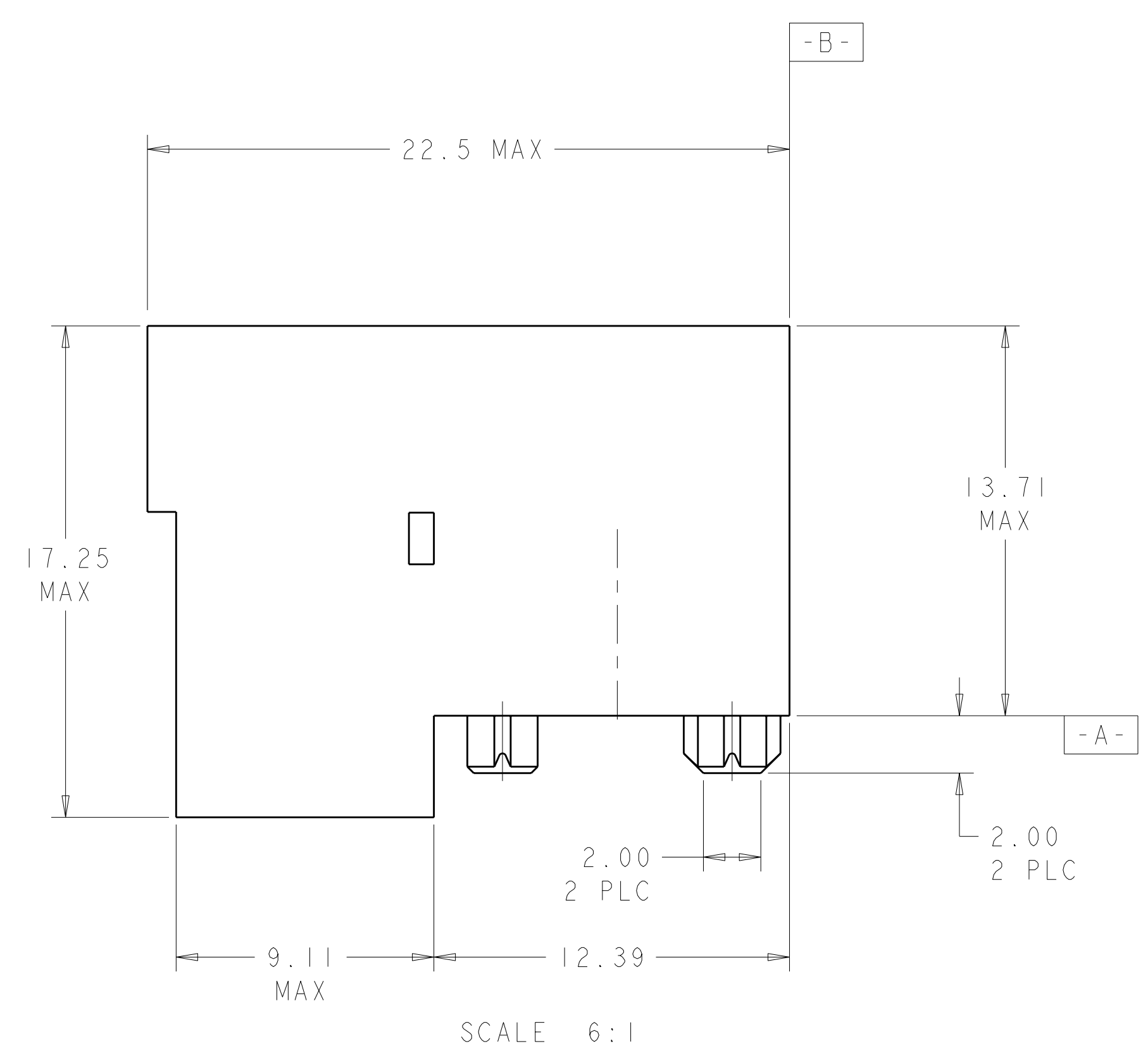
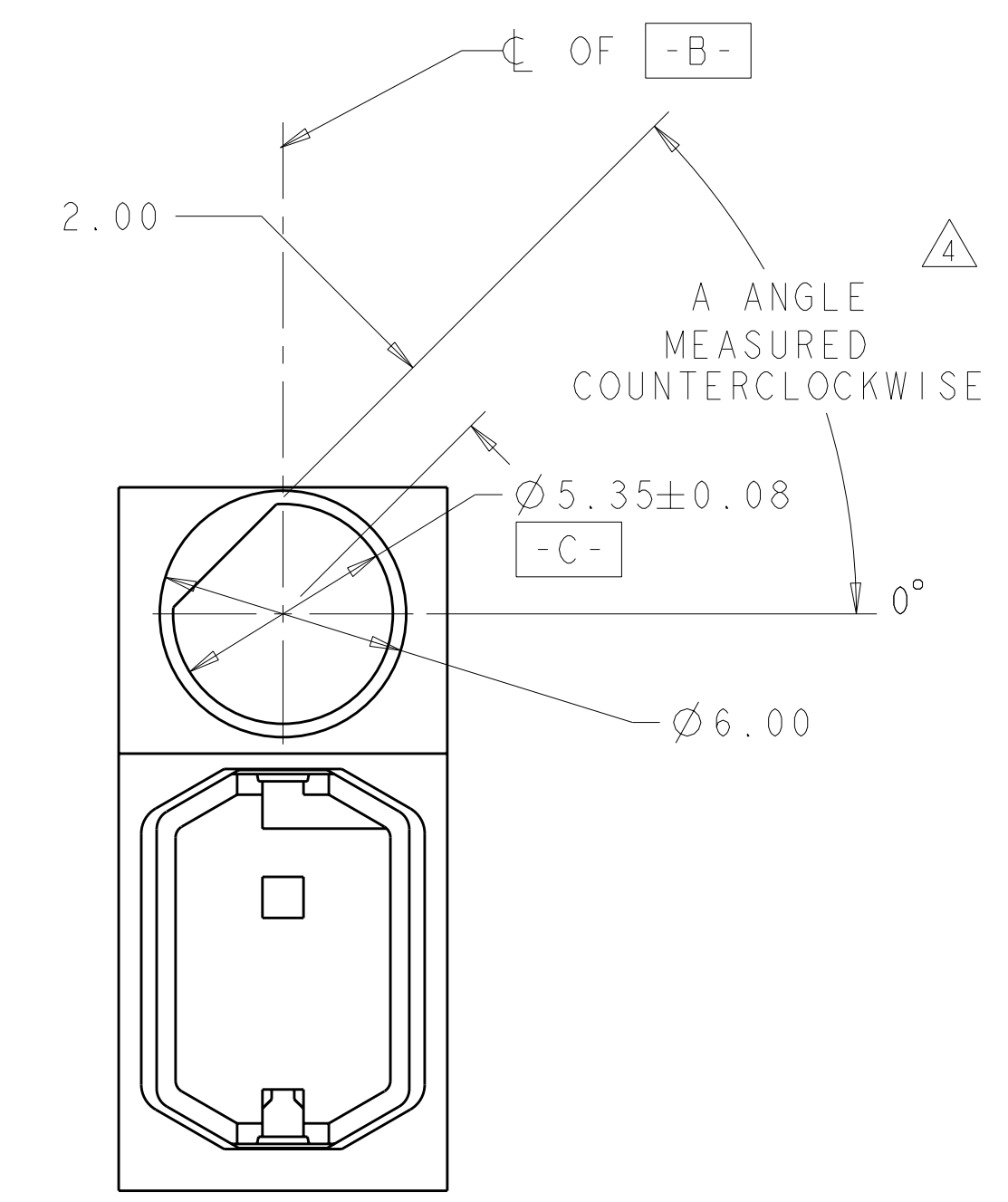
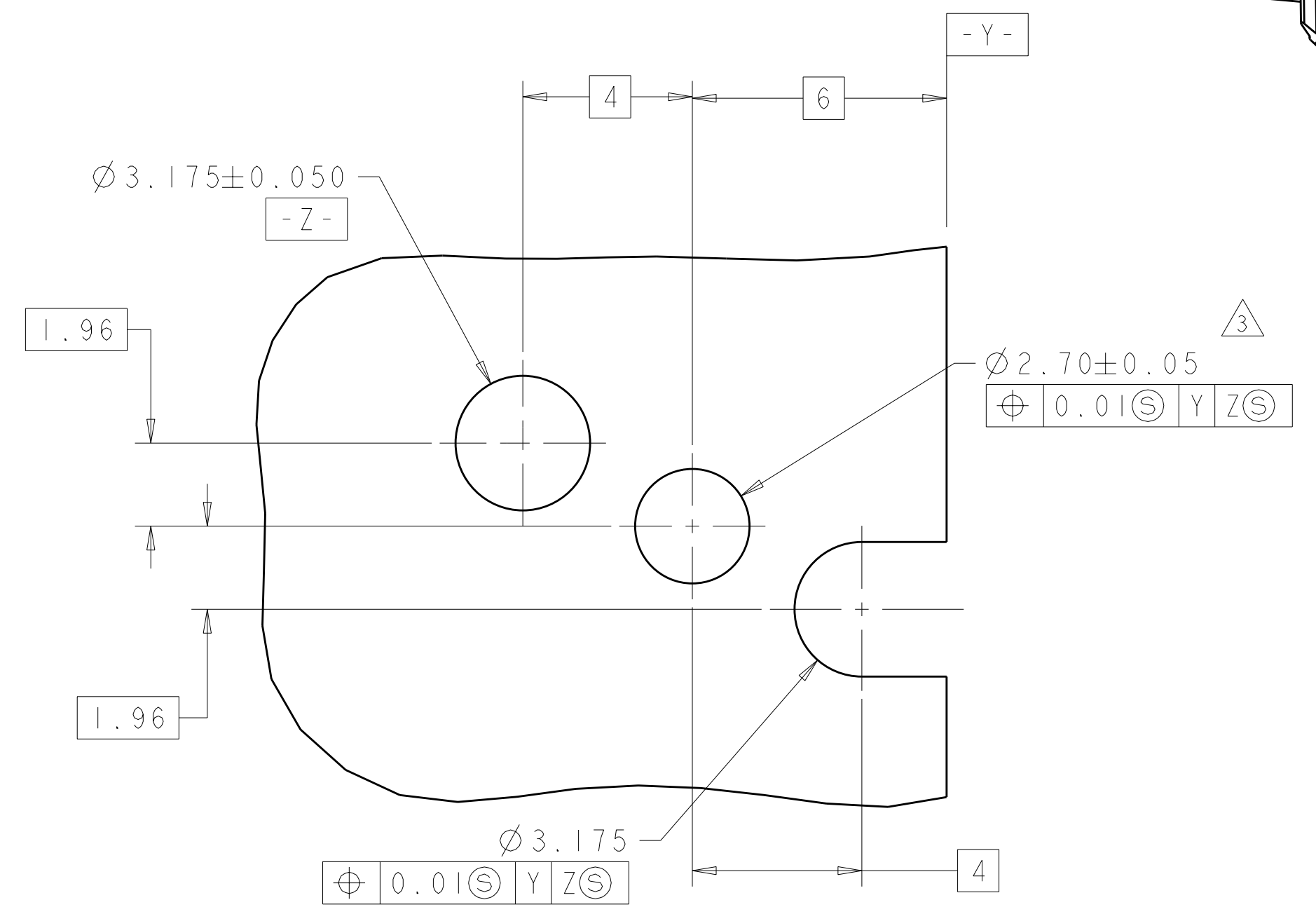
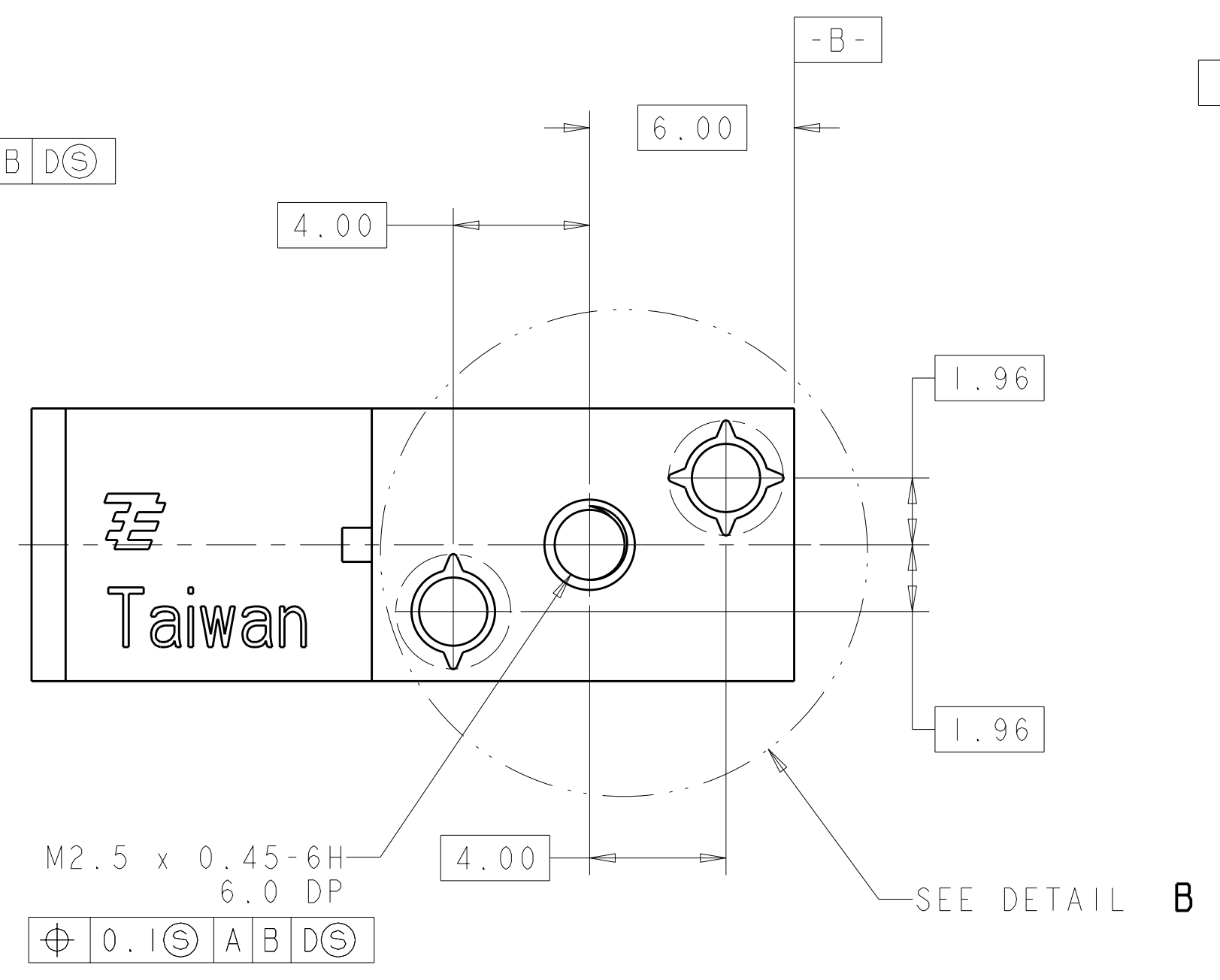
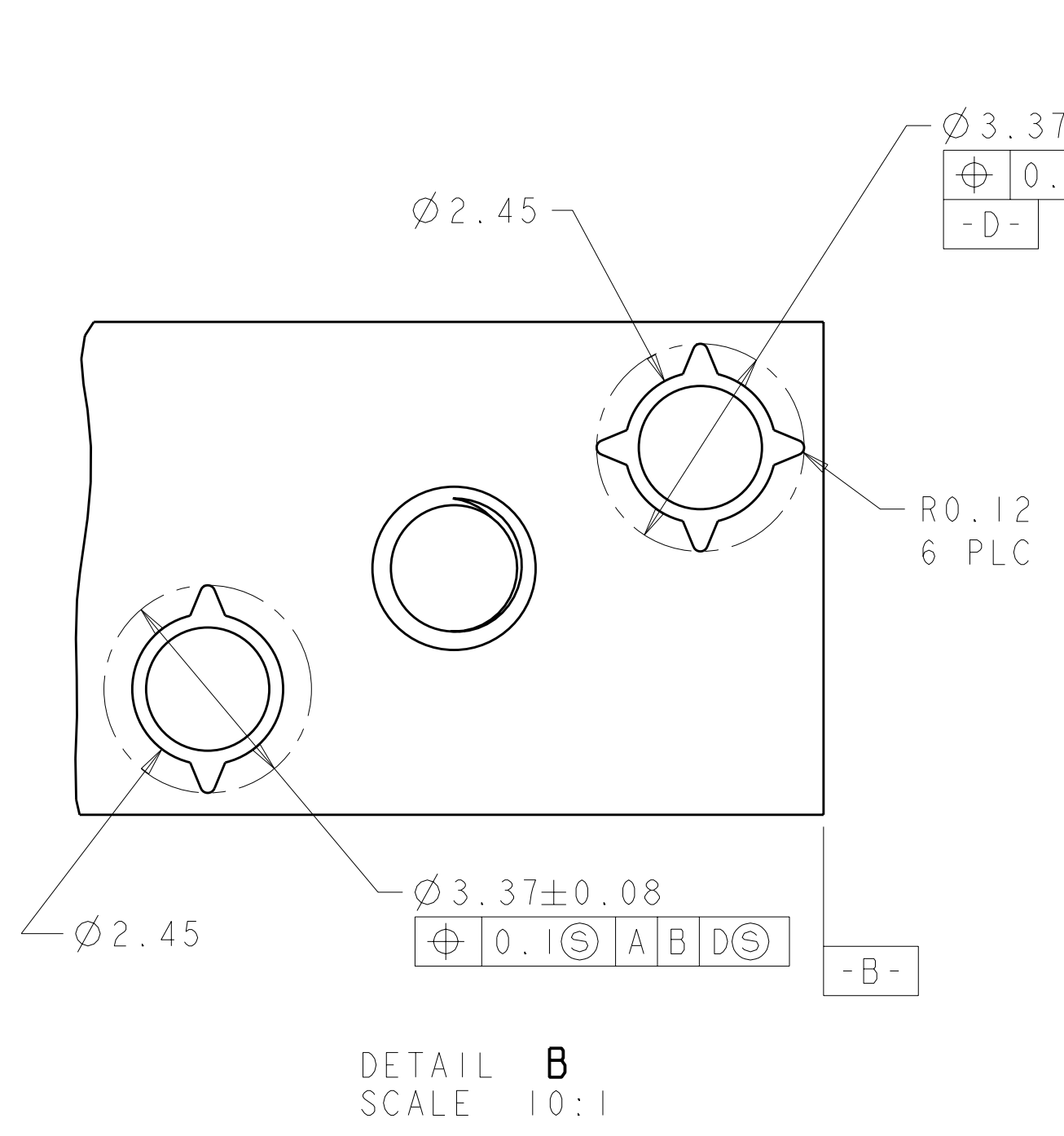


LOC		DIST		REVISIONS			
AD	00	REV	DATE	BY	CHK	APPD	DATE
		1	24APR09	RT	GG		
		2	12MAY2009	RT	GG		
		A	16JUN2009	RT	RP		
		B	13APR2010	BC	DY		

- ZINC ALLOY
 - FINISH: CLEAR CHROMATE
- △ HOLE FOR POSITIVE RETENSION SCREW
 △ DASH NUMBERS INDICATE KEY ORIENTATION



SHOWING 1410465-2



PCB LAYOUT
 CONNECTOR SIDE
 ALL HOLES AND FEATURES
 (ARE NON PLATED THROUGH HOLES)

FINISH	ANGLE	PART NUMBER
NO FLAT		1410465-9
	315°	1410465-8
	270°	1410465-7
	225°	1410465-6
	180°	1410465-5
	135°	1410465-4
	90°	1410465-3
	45°	1410465-2
	0°	1410465-1

DIMENSIONS: mm 		TOLERANCES UNLESS OTHERWISE SPECIFIED: 9 PLC ± 8 PLC ±0.13 5 PLC ±0.013 4 PLC ± ANGLES ±		DWN R. TREA 24APR2009 CHK G. GRIFFITH 24APR2009 APVD D. YI 13APR2010		Tyco Electronics Harrisburg, PA 17105-3608	
MATERIAL: - FINISH: -		WEIGHT: - CUSTOMER DRAWING		NAME: KEYING/GUIDE RECEPTACLE, VITA 41 SIZE: CAGE CODE: DRAWING NO: A100779C=1410465 SCALE: 5:1 SHEET 1 OF 1 REV B		RESTRICTED TO: -	