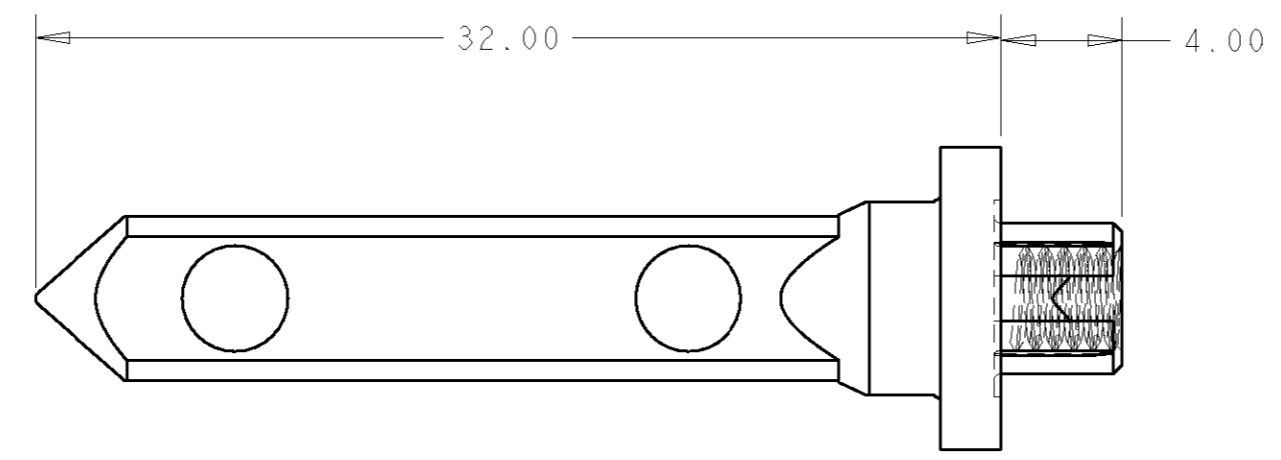
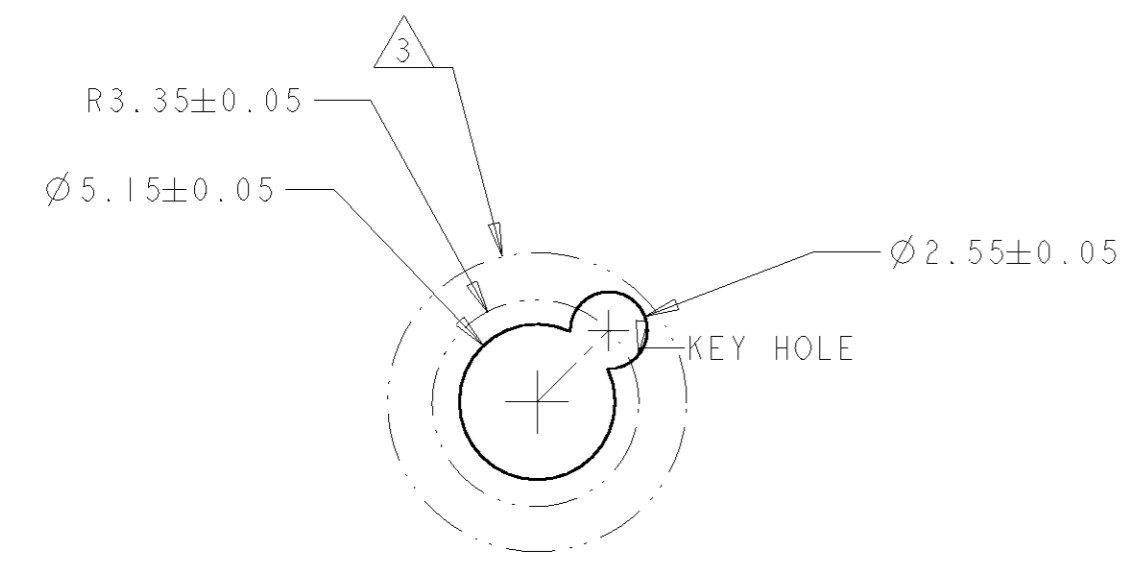
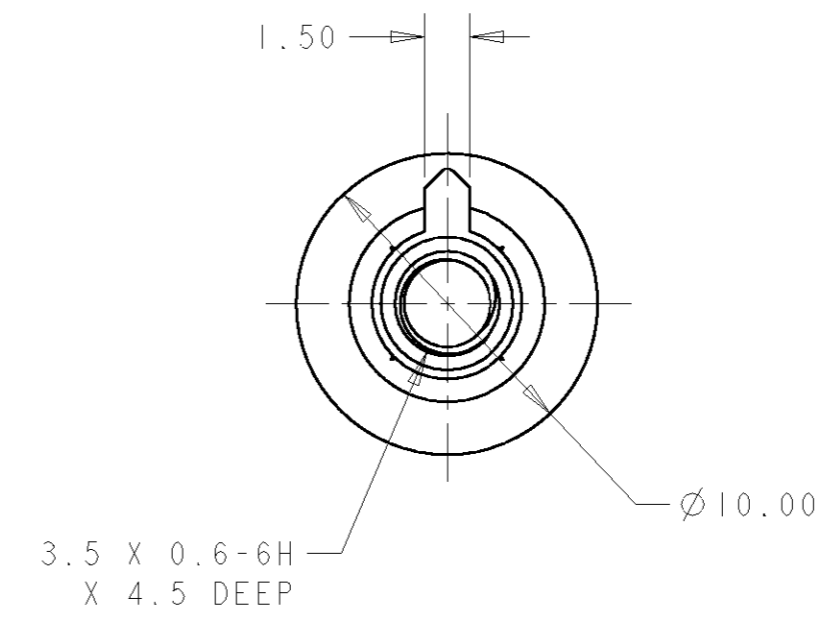
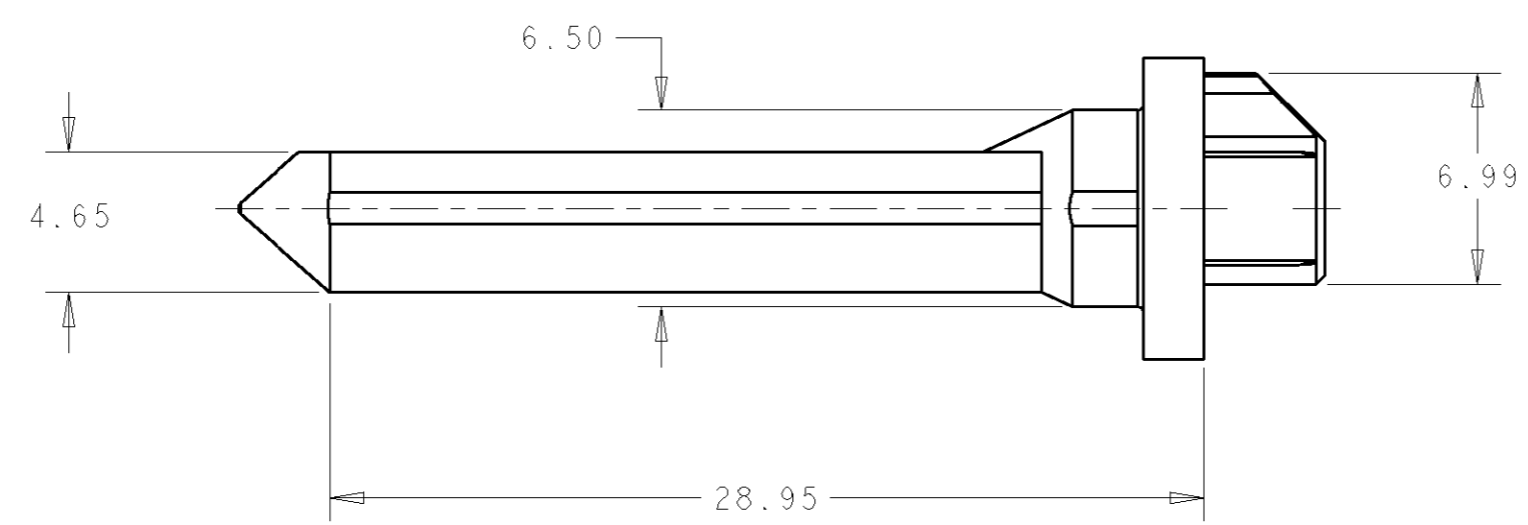
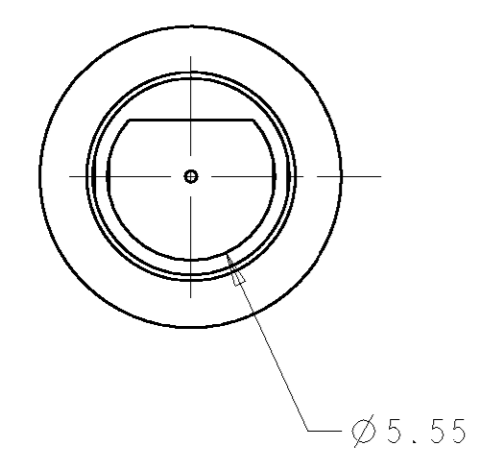


THIS DRAWING IS UNPUBLISHED. RELEASED FOR PUBLICATION 20
 © COPYRIGHT 20 BY TYCO ELECTRONICS CORPORATION. ALL RIGHTS RESERVED.

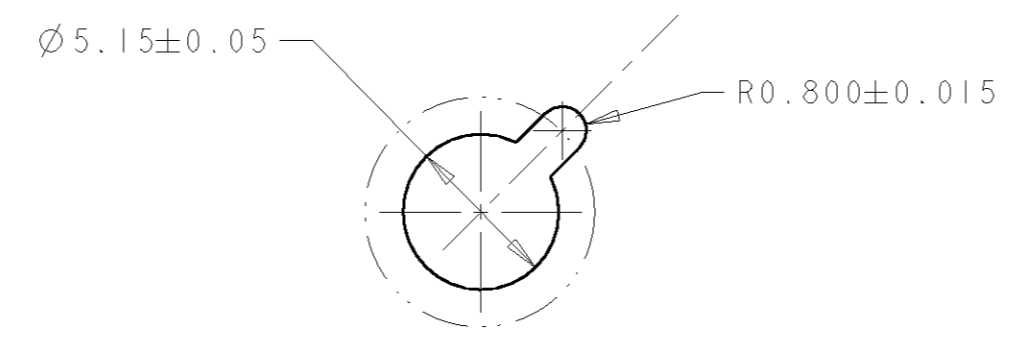
LOC	DIST	REVISIONS			
P	LTR	DESCRIPTION	DATE	DWN	APVD
AD	00	A	REV PER EC 0S12-0319-05	16JUN2005	BC GG



- ① MATERIAL: ZINC ALLOY
- ② FINISH: NICKEL OVER COPPER.
- ③ OPTIONAL ANNULAR RING MAY BE PLATED AROUND GUIDE PIN MOUNTING HOLE ON BOTTOM SIDE OF BOARD



TIER 1
 GUIDE PIN FOOTPRINT
 (20.3 & 25.4mm SIGNAL MODULES)
 SCALE 4:1



ALTERNATE PCB LAYOUT
 FOR GUIDE POST
 SCALE 4:1

②	1410477-1	1410477-2
-	①	1410477-1
FINISH	MATERIAL	PART NUMBER

THIS DRAWING IS A CONTROLLED DOCUMENT FOR TYCO ELECTRONICS CORPORATION IT IS SUBJECT TO CHANGE AND THE CONTROLLING ENGINEERING ORGANIZATION SHOULD BE CONTACTED FOR THE LATEST REVISION.		DWN B. CARBO 16 JUN 2005 CHK G. GRIFFITH 16 JUN 2005 APVD G. GRIFFITH 16 JUN 2005	Tyco Electronics Harrisburg, PA 17105-3608
DIMENSIONS: mm	TOLERANCES UNLESS OTHERWISE SPECIFIED: 0 PLC ± 1 PLC ±0.5 2 PLC ±0.13 3 PLC ±0.013 4 PLC ±0.0001 ANGLES ±0°30'	PRODUCT SPEC - APPLICATION SPEC 114-13056 WEIGHT -	NAME KEYED GUIDE PIN MULTIGIG BACKPLANE CONNECTOR SIZE A2 CAGE CODE 00779 DRAWING NO. 1410477 RESTRICTED TO - SCALE 4:1 SHEET 1 OF 1 REV A
MATERIAL ①	FINISH ②	CUSTOMER DRAWING	