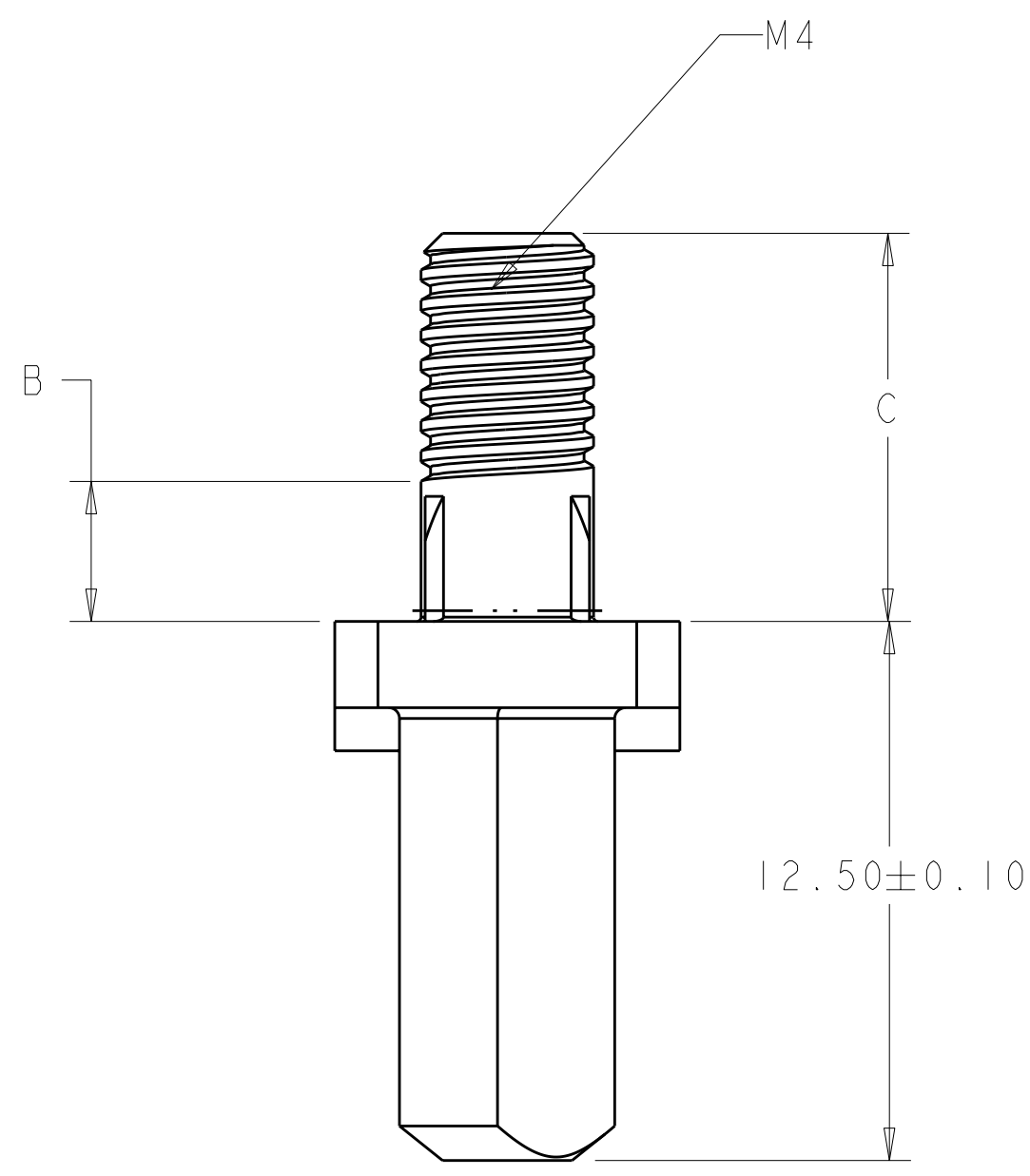
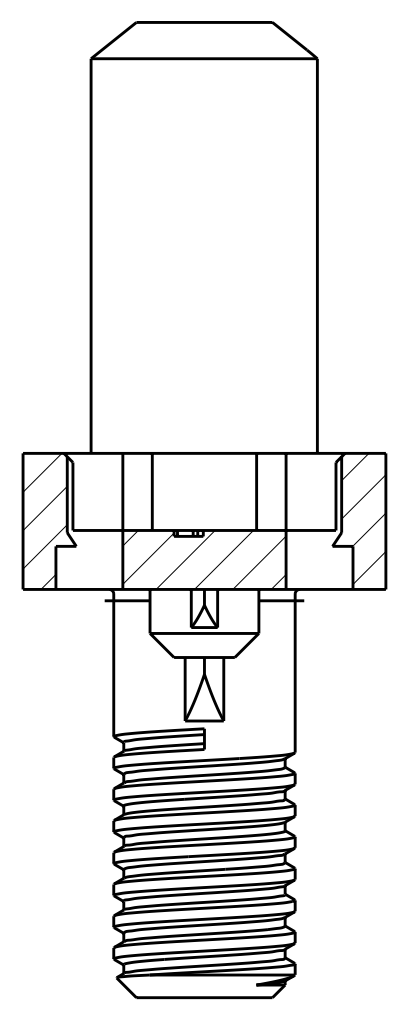


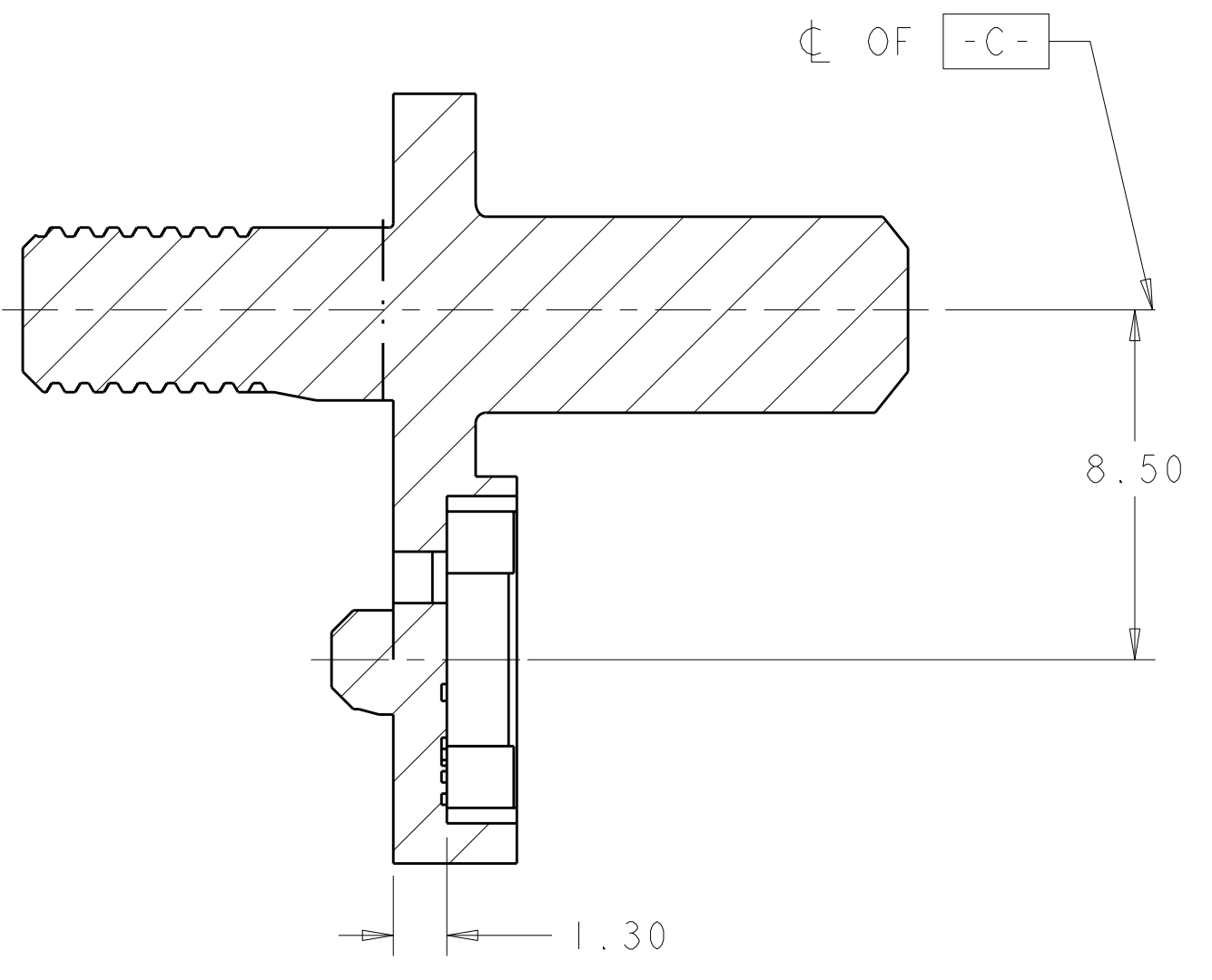
| LOC | DIST | REV | DESCRIPTION | DATE | DWN | APVD |
|-----|------|-----|-----------------------|-----------|-----|------|
| AD | 00 | 1 | PROPOSED | 02DEC2008 | RT | GG |
| | | 2 | REVISED | 25AUG2009 | DH | DY |
| | | A | REV PER ECO-10-006114 | 13APR2010 | BC | DY |

△ ZINC ALLOY
 △ FINISH: CLEAR CHROMATE

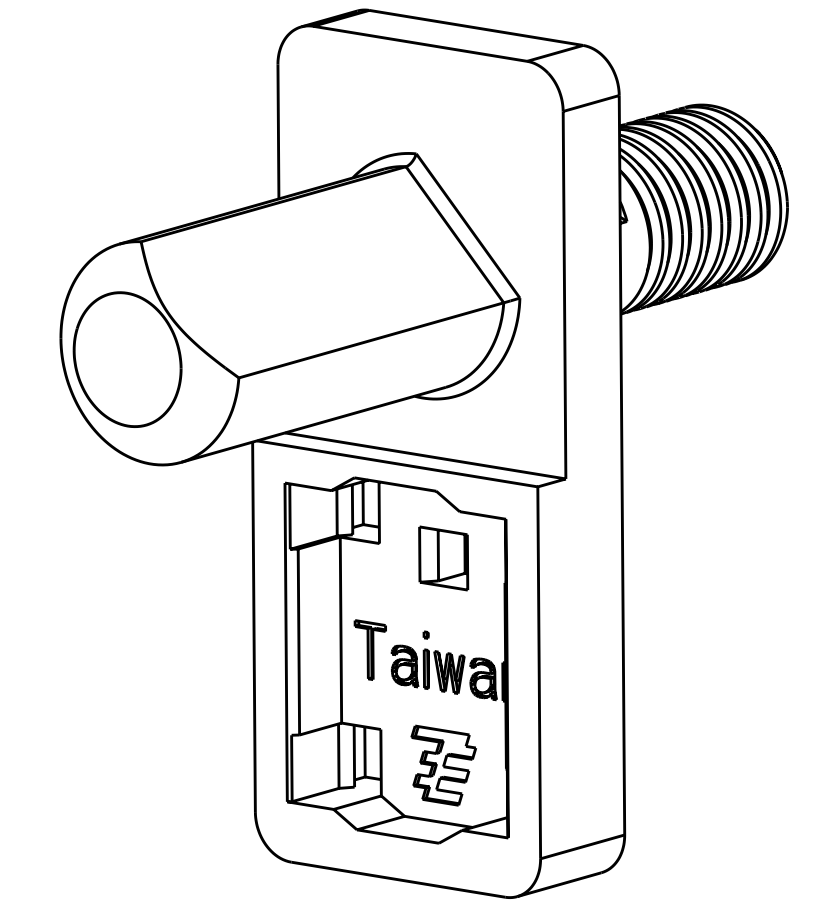
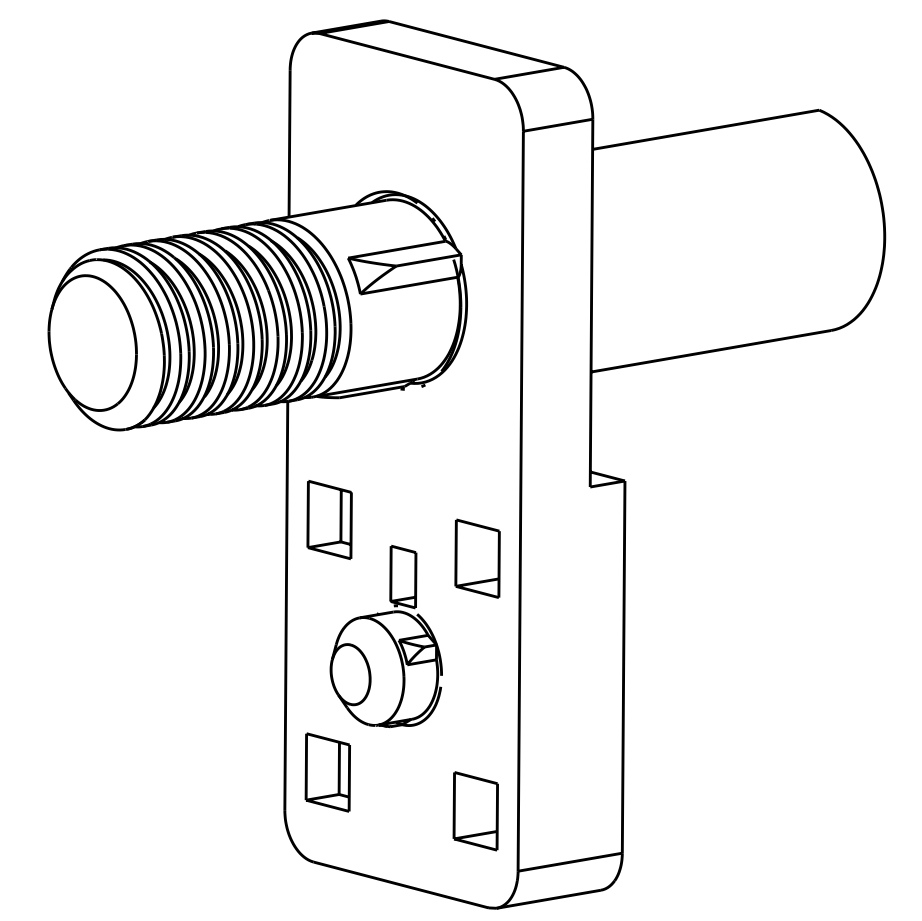
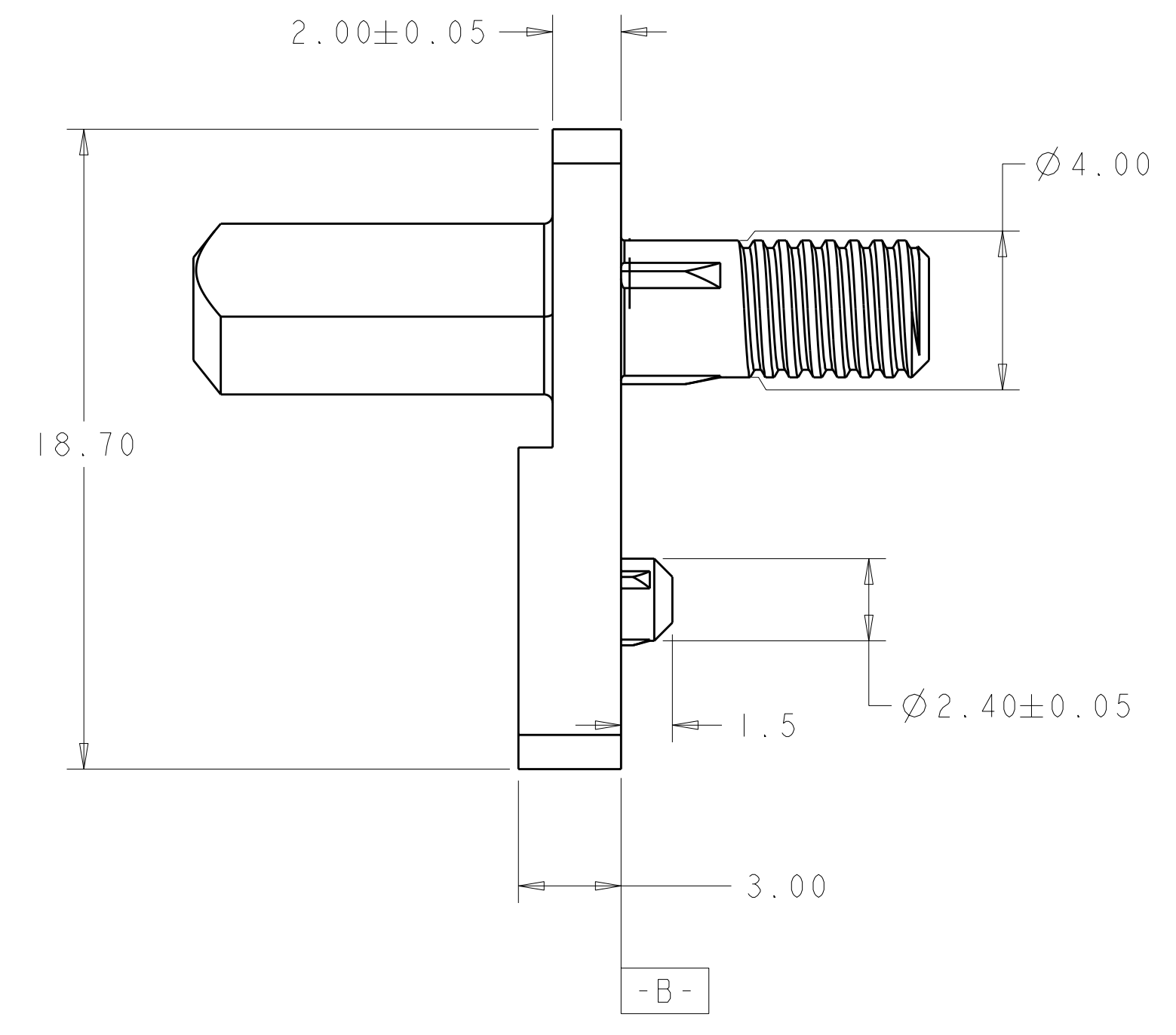
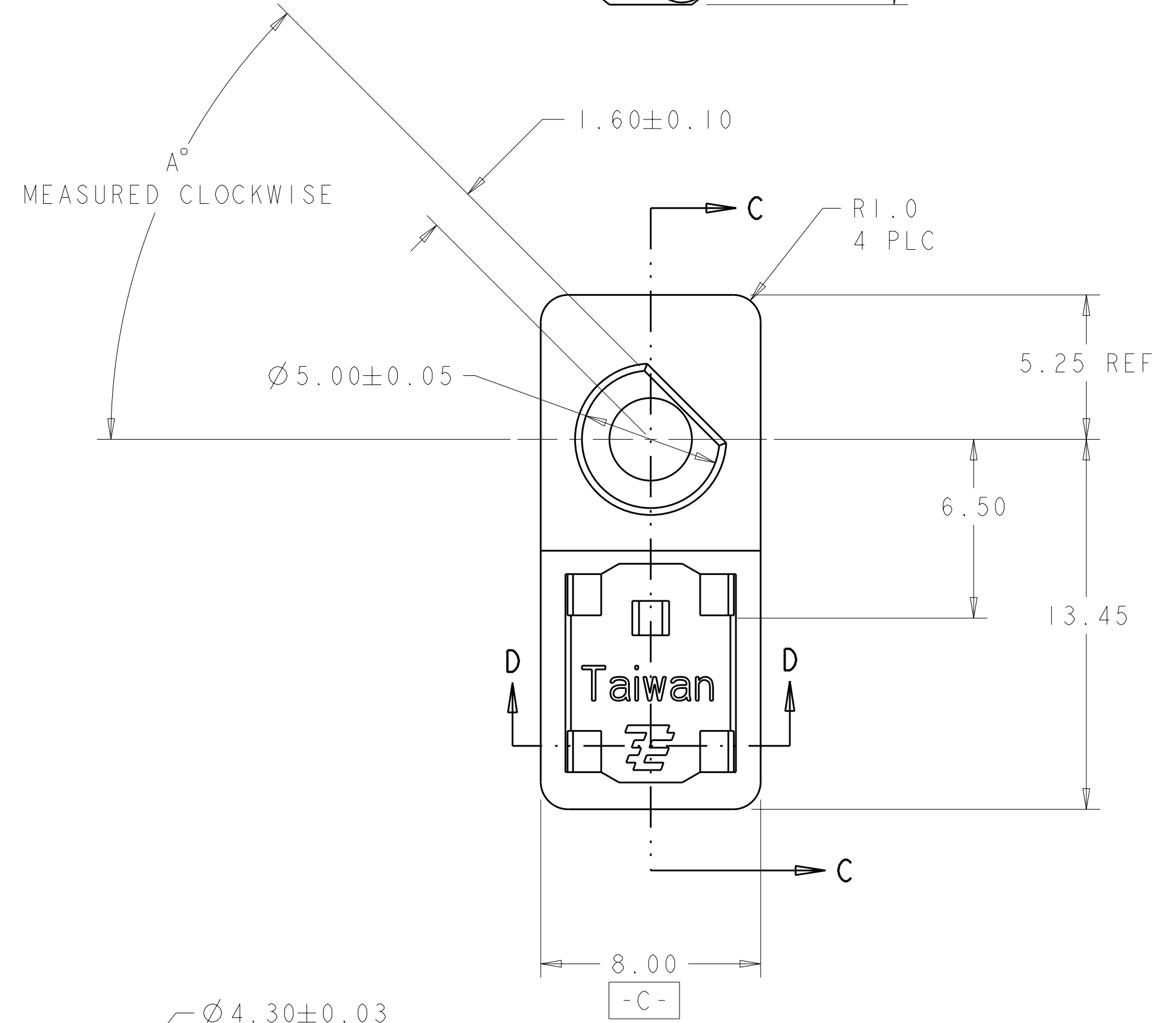


12.50±0.10

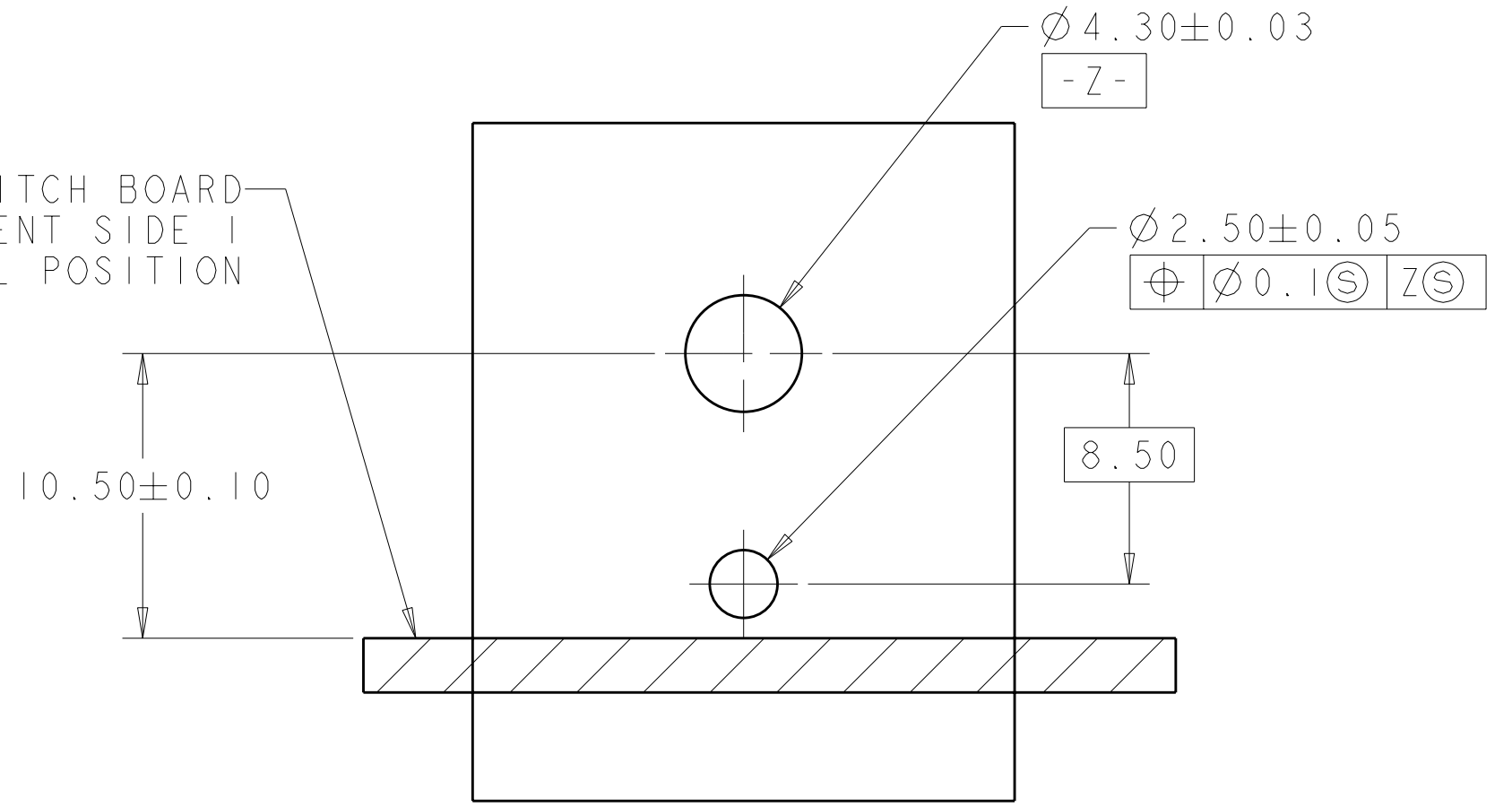
SECTION D-D
 SCALE 6:1



SECTION C-C



PAYLOAD OR SWITCH BOARD COMPONENT SIDE 1 NOMINAL POSITION



PCB LAYOUT
 CONNECTOR SIDE
 ALL HOLES AND FEATURES
 (ARE NON PLATED THROUGH HOLES)

SHOWING 1410962-2

| DIM "C" | DIM "B" | DIM "A" | PART NUMBER |
|---------|---------|---------|-------------|
| 9.0 | 3.13 | NO FLAT | 1410962-9 |
| 9.0 | 3.13 | 315° | 1410962-8 |
| 9.0 | 3.13 | 270° | 1410962-7 |
| 9.0 | 3.13 | 225° | 1410962-6 |
| 9.0 | 3.13 | 180° | 1410962-5 |
| 9.0 | 3.13 | 135° | 1410962-4 |
| 9.0 | 3.13 | 90° | 1410962-3 |
| 9.0 | 3.13 | 45° | 1410962-2 |
| 9.0 | 3.13 | 0° | 1410962-1 |

| | | | | | |
|---|--|---|--|---|--|
| DIMENSIONS: mm TOLERANCES UNLESS OTHERWISE SPECIFIED: 9 PLC ± 1 PLC ±0.13 5 PLC ±0.013 4 PLC ± ANGLES ± | | DWN: R. TREA 10JUN2004 CHK: G. GRIFFITH 10JUN2004 APVD: D. YI 13APR2010 PRODUCT SPEC APPLICATION SPEC WEIGHT CUSTOMER DRAWING | | Tyco Electronics Harrisburg, PA 17105-3608 NAME: HOUSING, KEY/ALIGNMENT PIN, VITA 41 SIZE: CAGE CODE DRAWING NO: A100779C=1410962 SCALE: 6:1 SHEET 1 OF 1 REV A | |
|---|--|---|--|---|--|