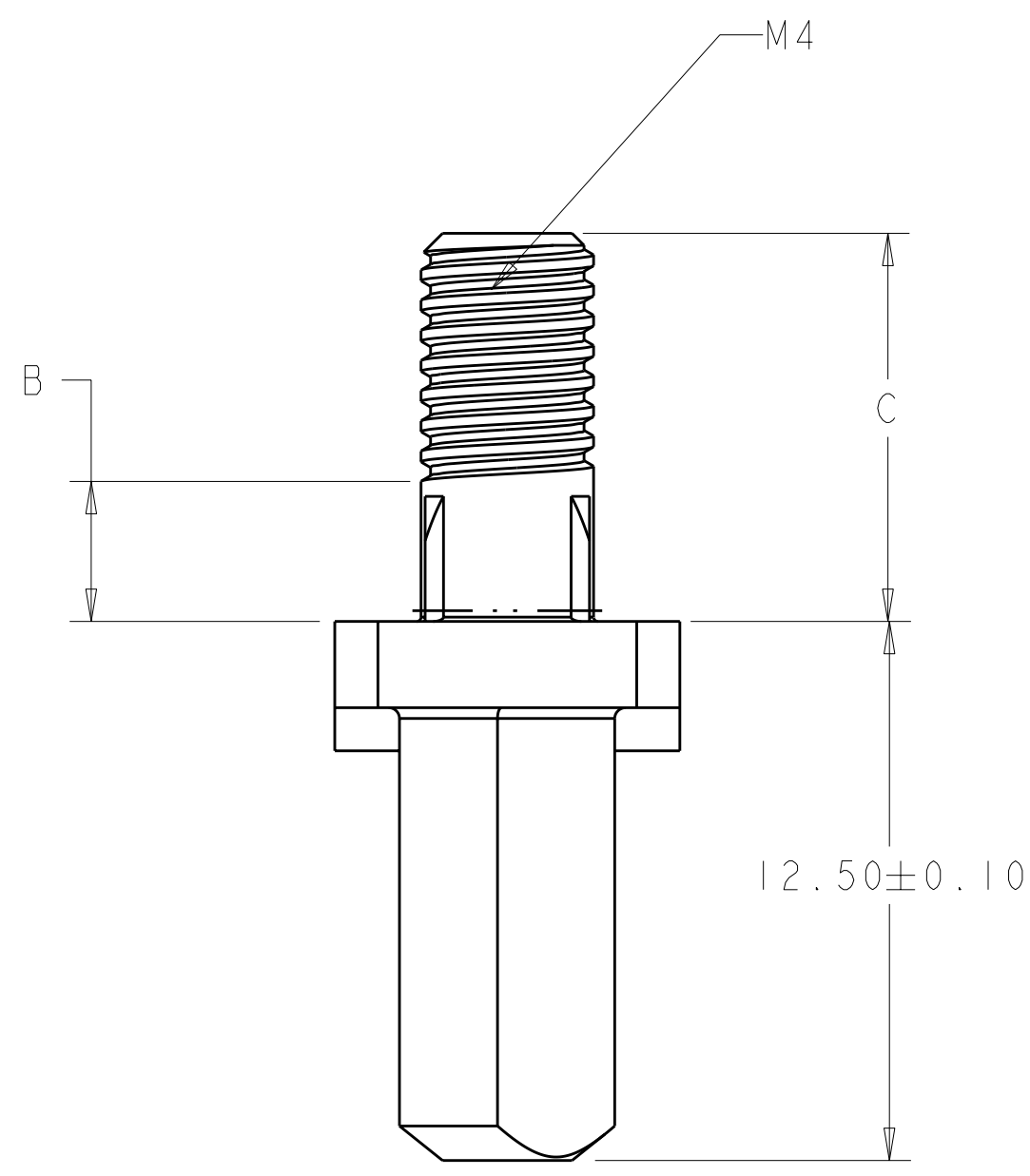
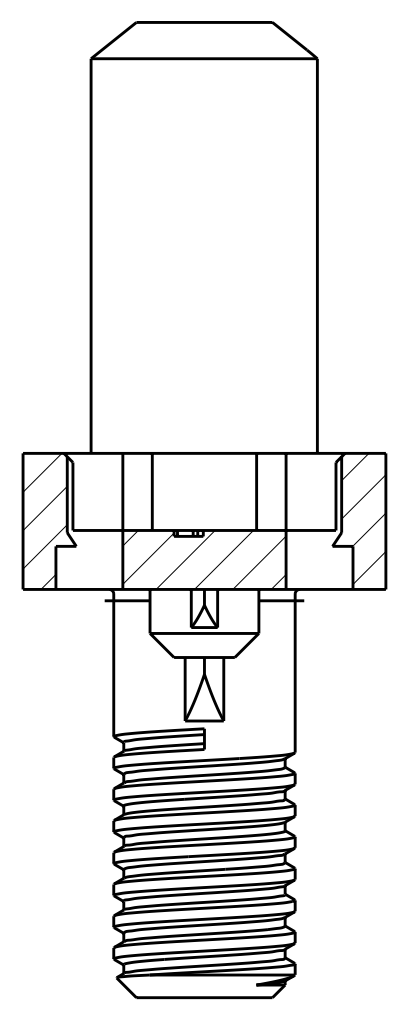
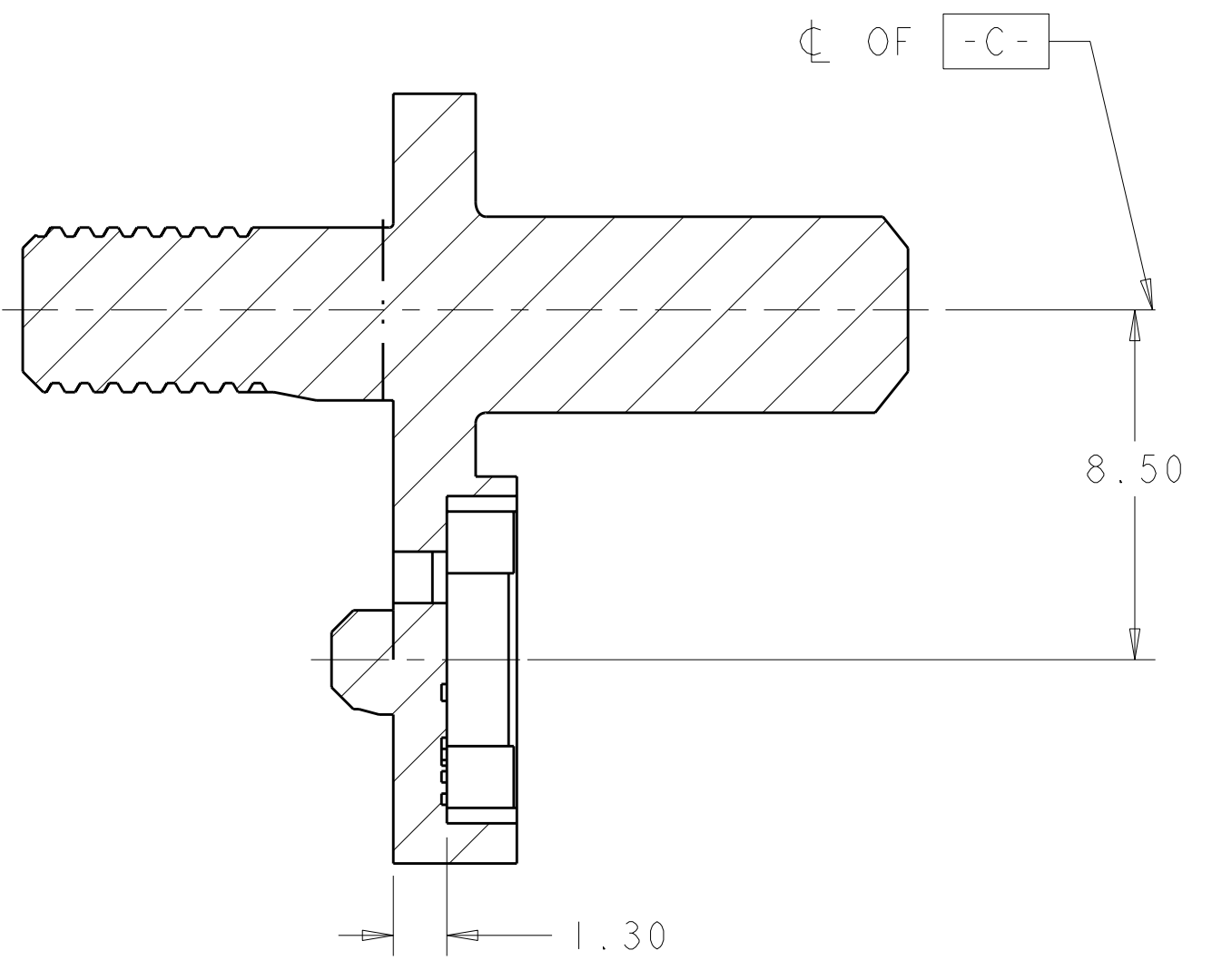


LOC	DIST	REV	DESCRIPTION	DATE	DWN	APVD
AD	00	1	PROPOSED	02DEC2008	RT	GG
		2	REVISED	25AUG2009	DH	DY
		A	REV PER ECO-10-006114	13APR2010	BC	DY

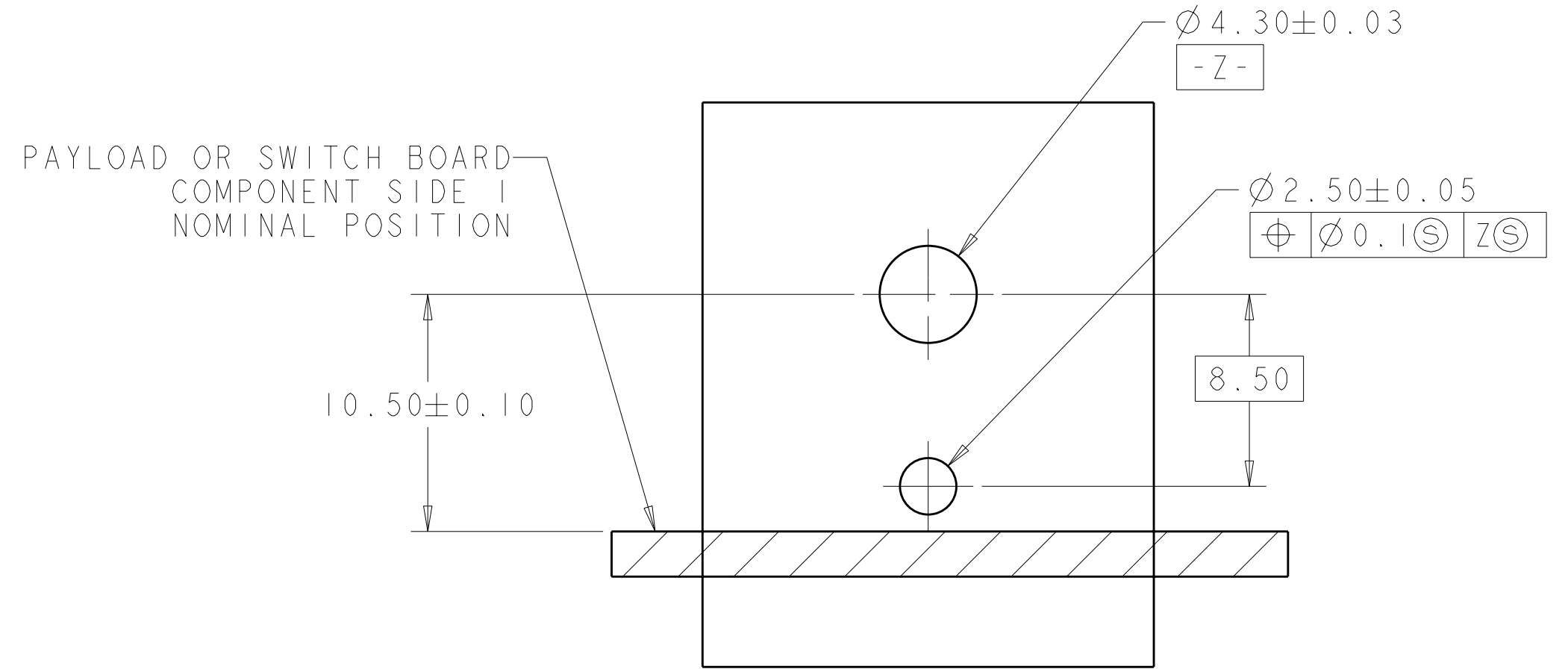
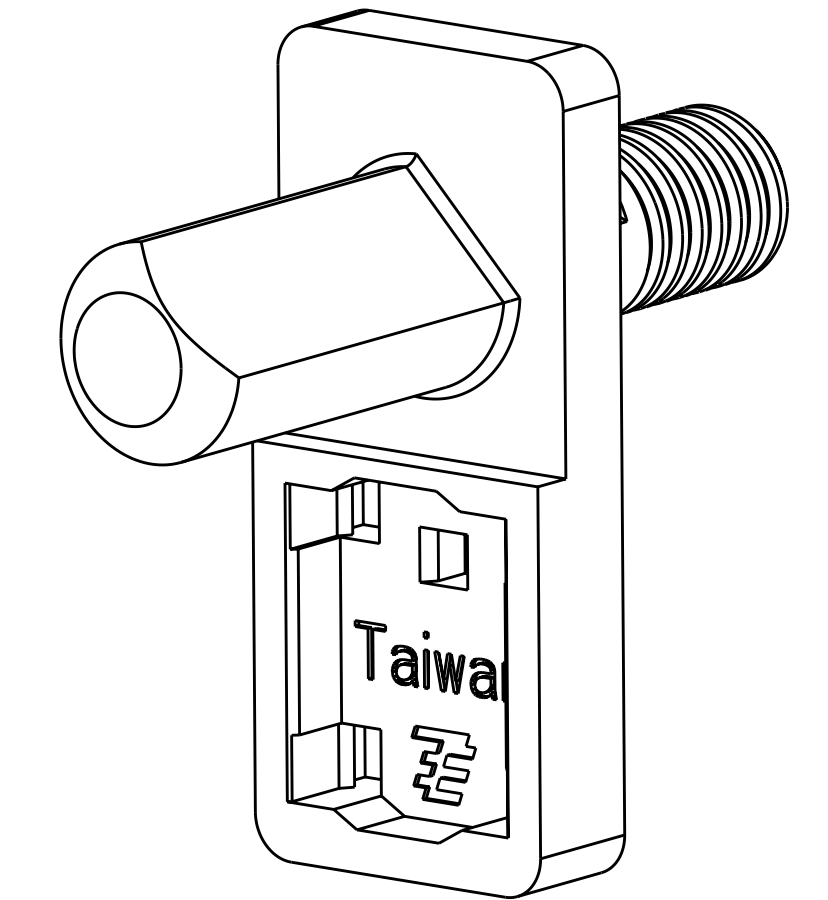
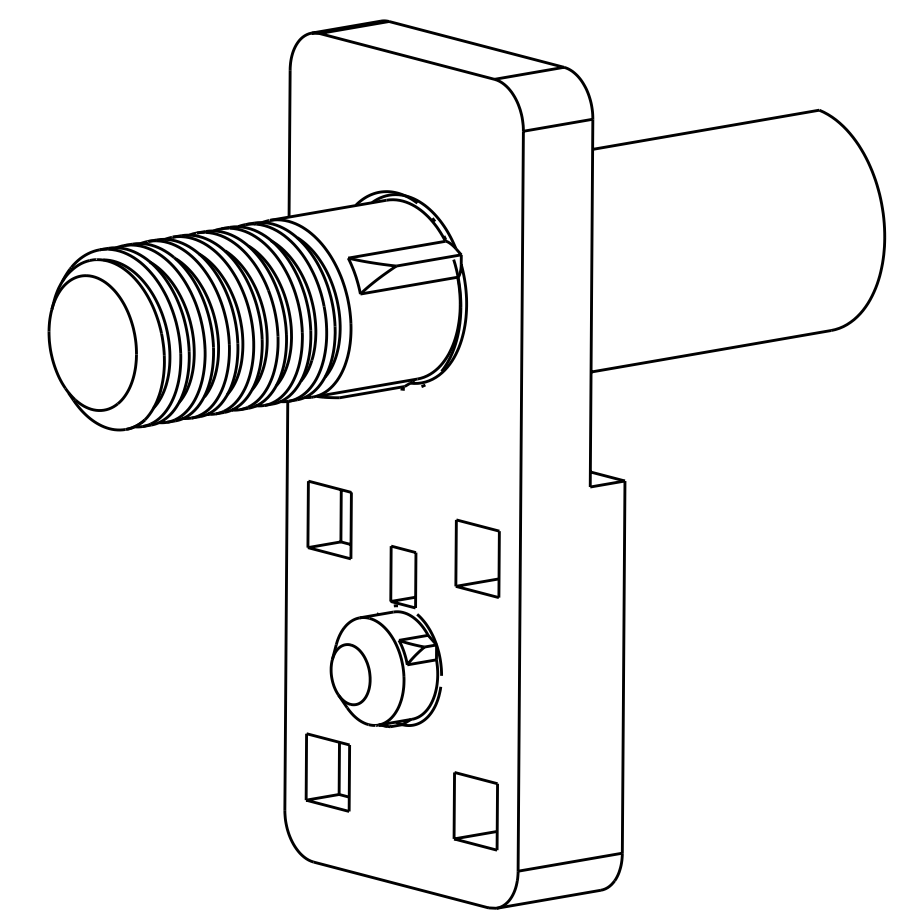
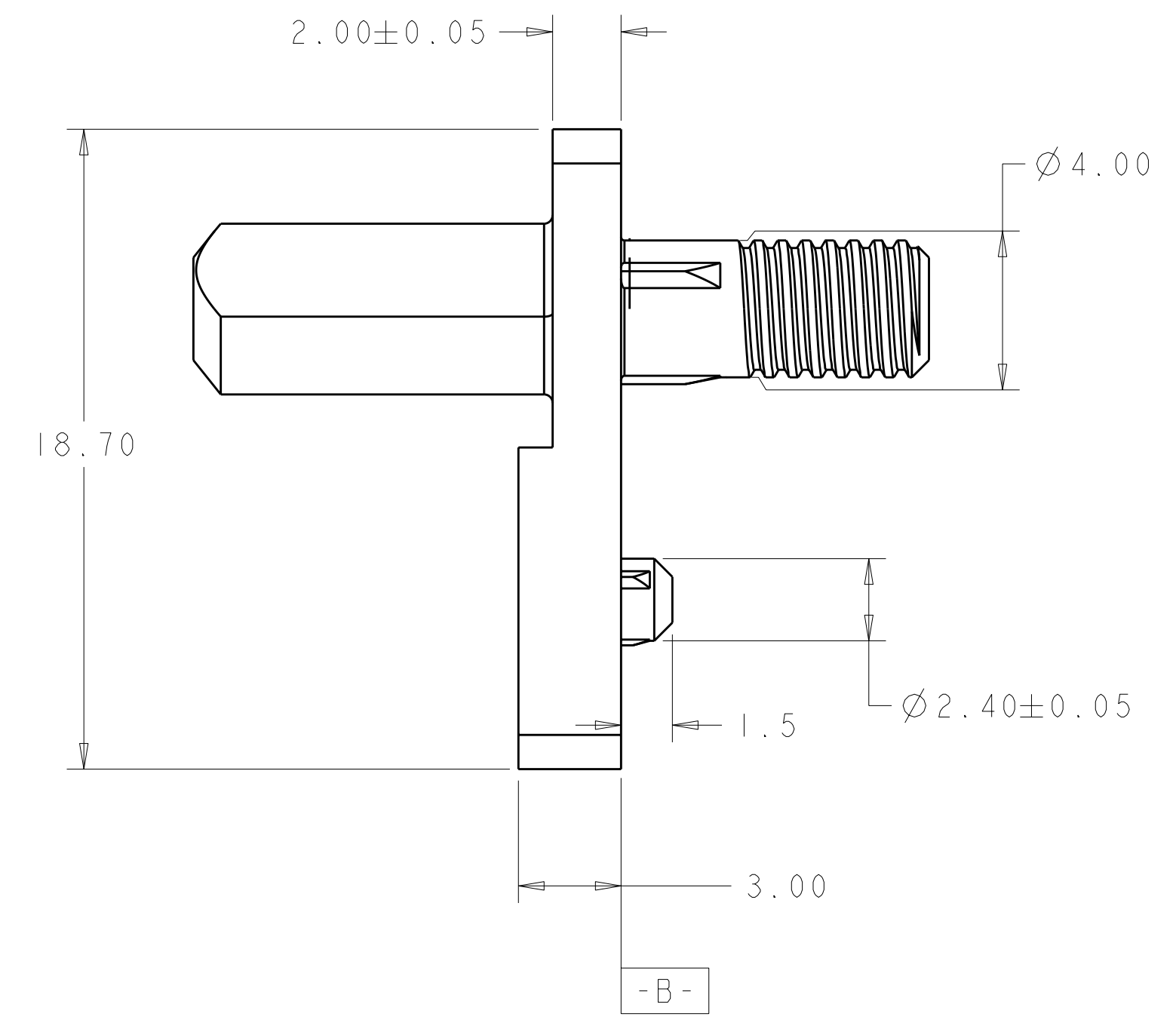
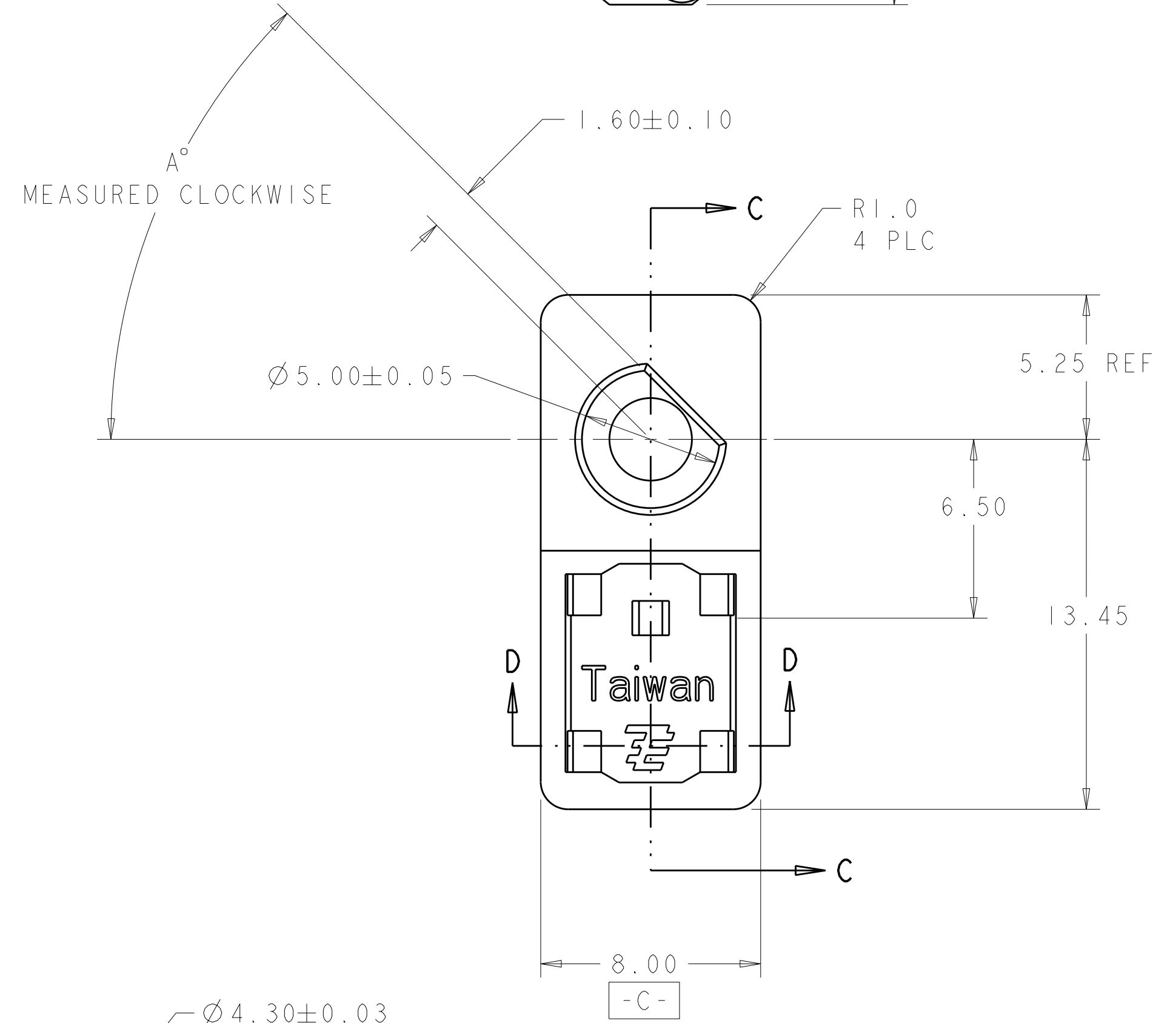
△ ZINC ALLOY
 △ FINISH: CLEAR CHROMATE



SECTION D-D
 SCALE 6:1



SECTION C-C



PCB LAYOUT
 CONNECTOR SIDE
 ALL HOLES AND FEATURES
 (ARE NON PLATED THROUGH HOLES)

SHOWING 1410962-2

DIM "C"	DIM "B"	DIM "A"	PART NUMBER
9.0	3.13	NO FLAT	1410962-9
9.0	3.13	315°	1410962-8
9.0	3.13	270°	1410962-7
9.0	3.13	225°	1410962-6
9.0	3.13	180°	1410962-5
9.0	3.13	135°	1410962-4
9.0	3.13	90°	1410962-3
9.0	3.13	45°	1410962-2
9.0	3.13	0°	1410962-1

DIMENSIONS: mm TOLERANCES UNLESS OTHERWISE SPECIFIED: 9 PLC ± 1 PLC ±0.13 5 PLC ±0.013 4 PLC ± ANGLES ±		DWN: TREA 10JUN2004 CHK: G. GRIFFITH 10JUN2004 APVD: D. YI 13APR2010 PRODUCT SPEC APPLICATION SPEC WEIGHT CUSTOMER DRAWING		Tyco Electronics Harrisburg, PA 17105-3608 NAME: HOUSING, KEY/ALIGNMENT PIN, VITA 41 SIZE: CAGE CODE DRAWING NO: A100779C=1410962 SCALE: 6:1 SHEET 1 OF 1 REV A	
---	--	--	--	---	--