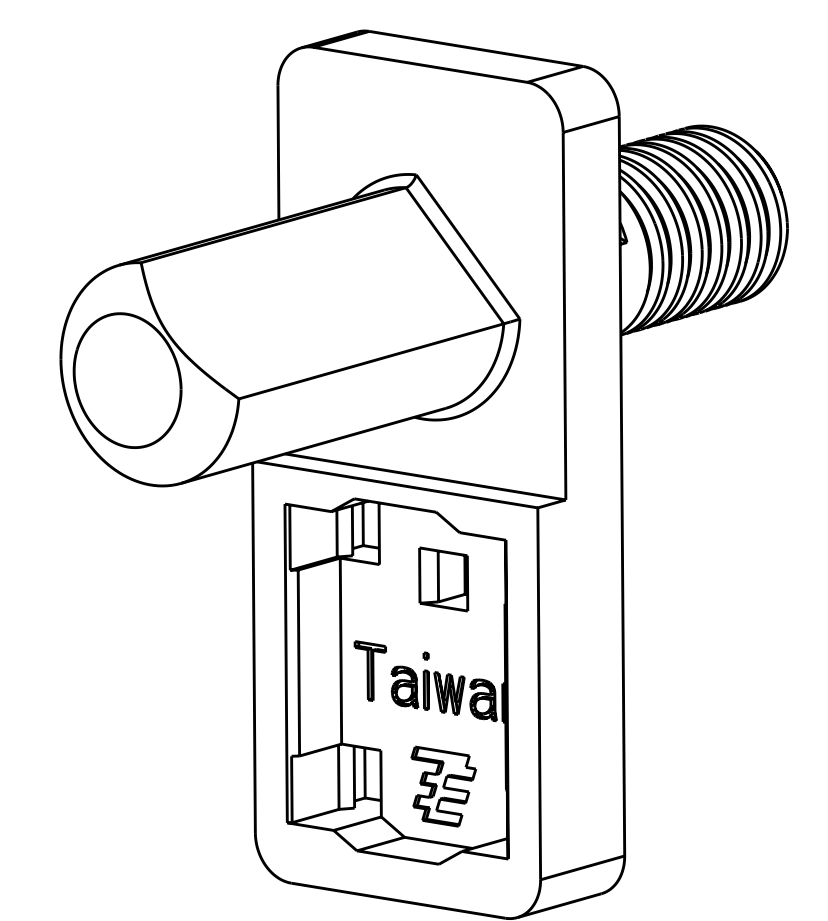
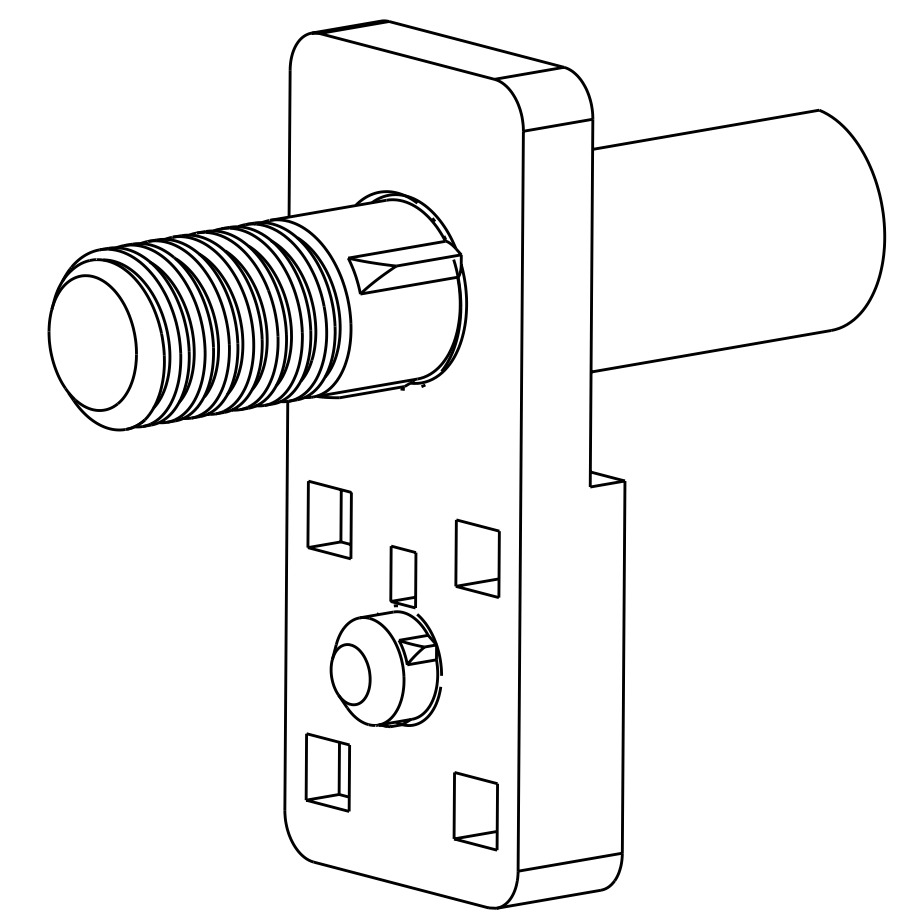
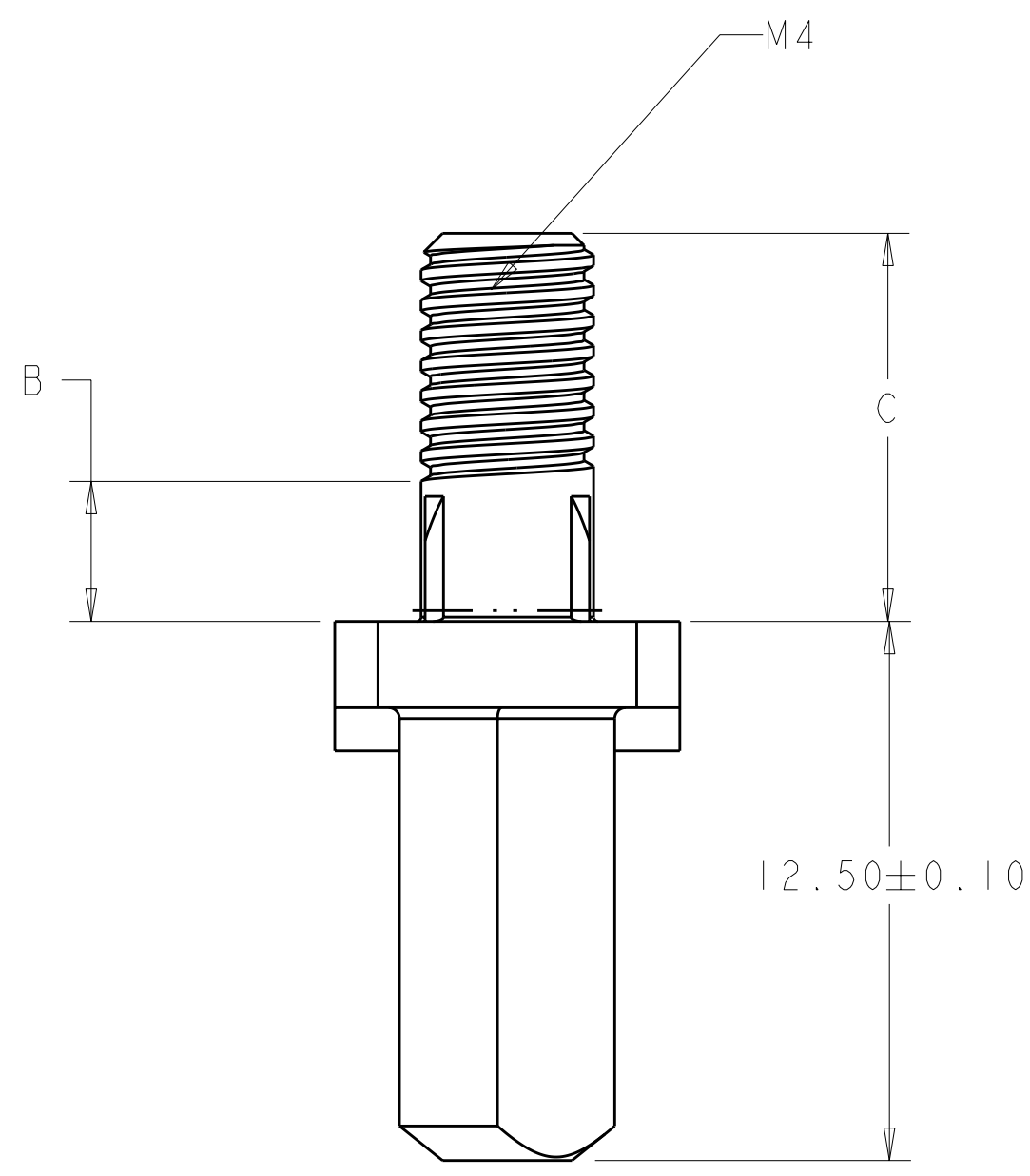
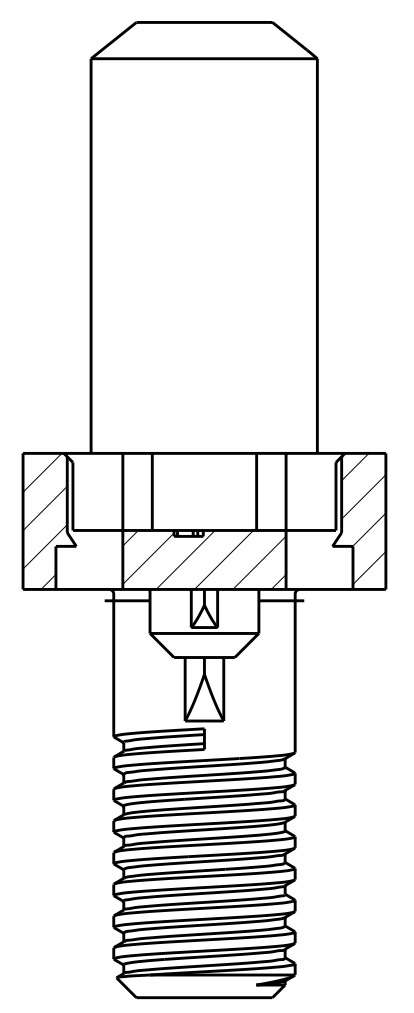
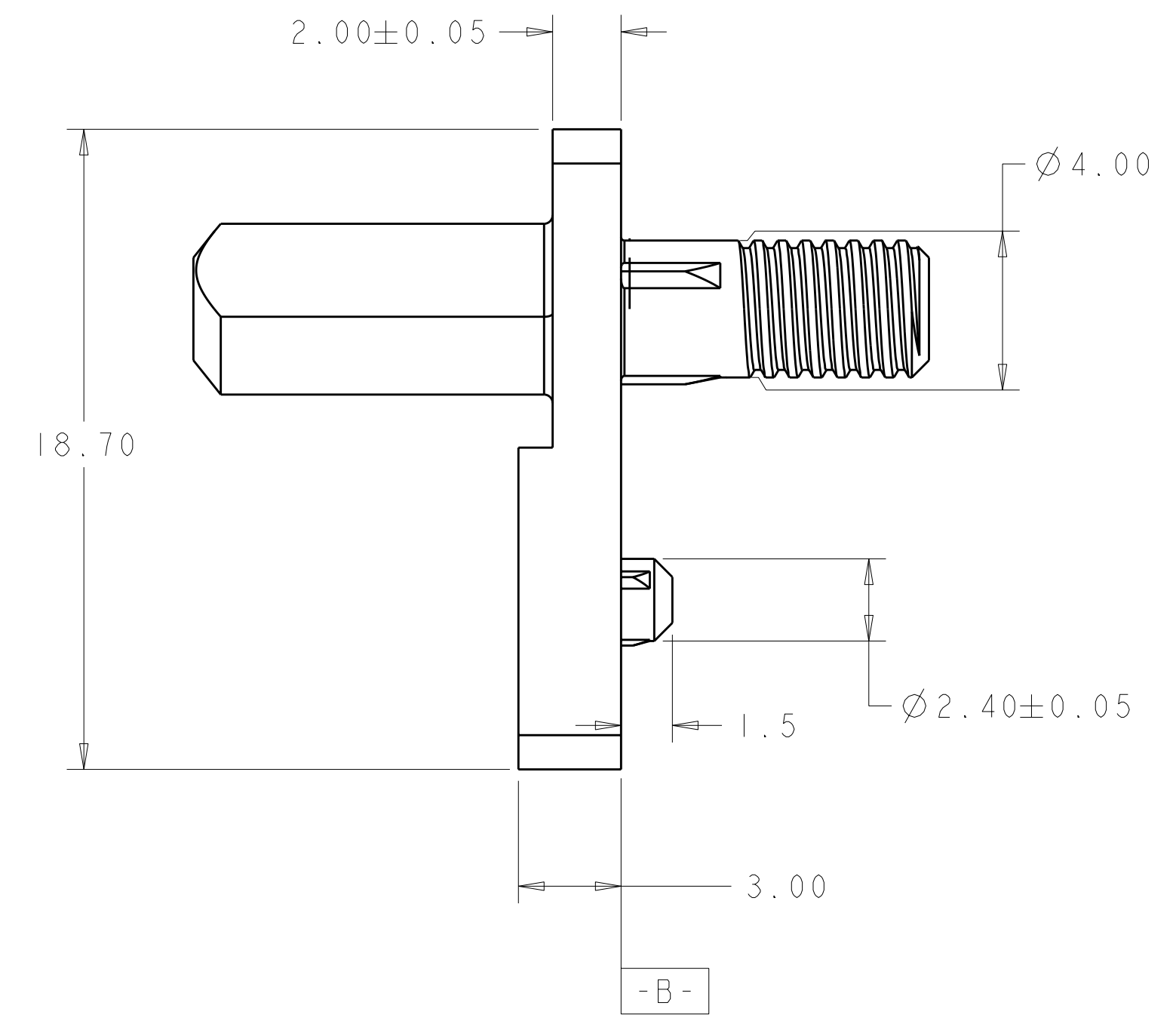
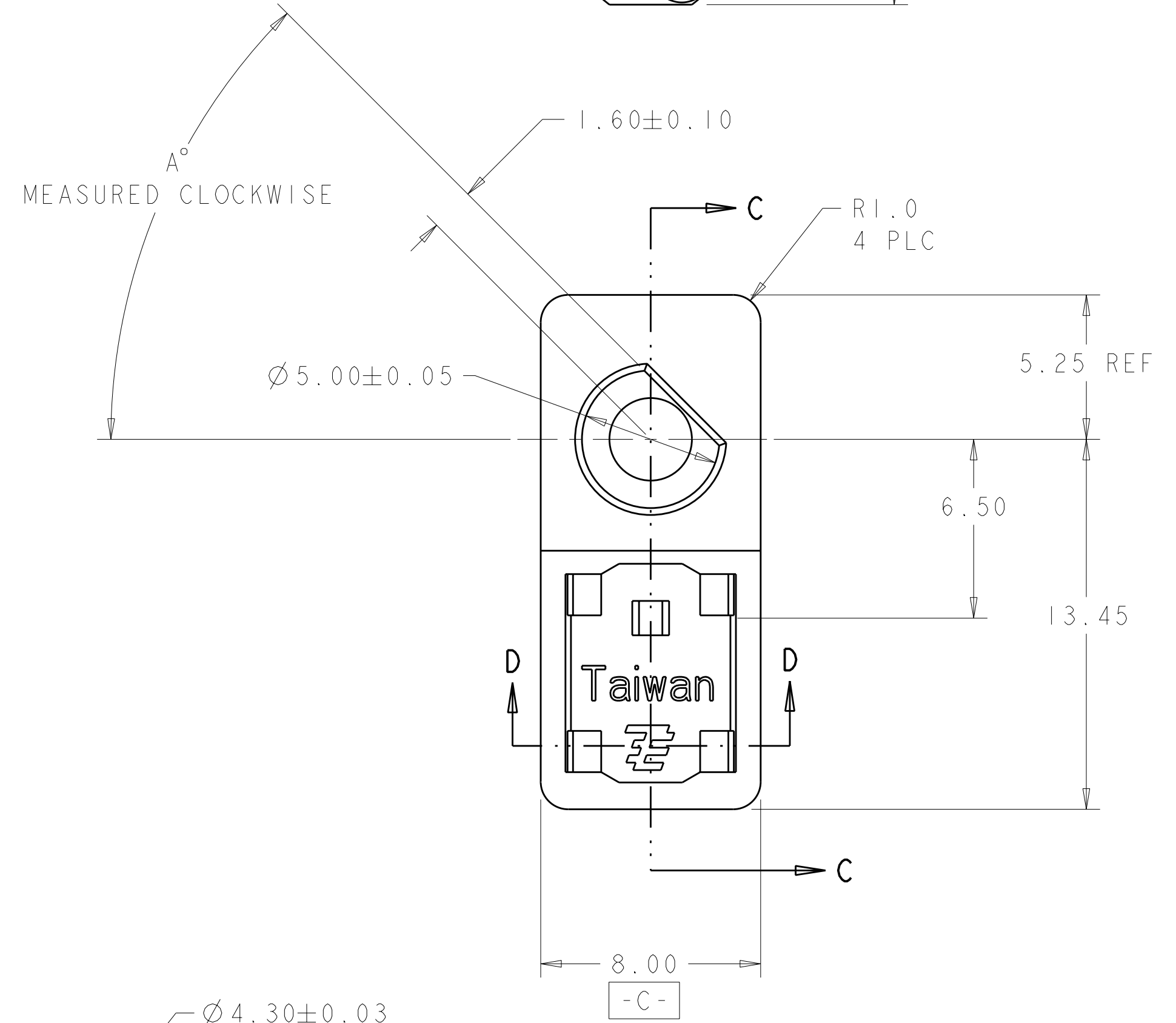
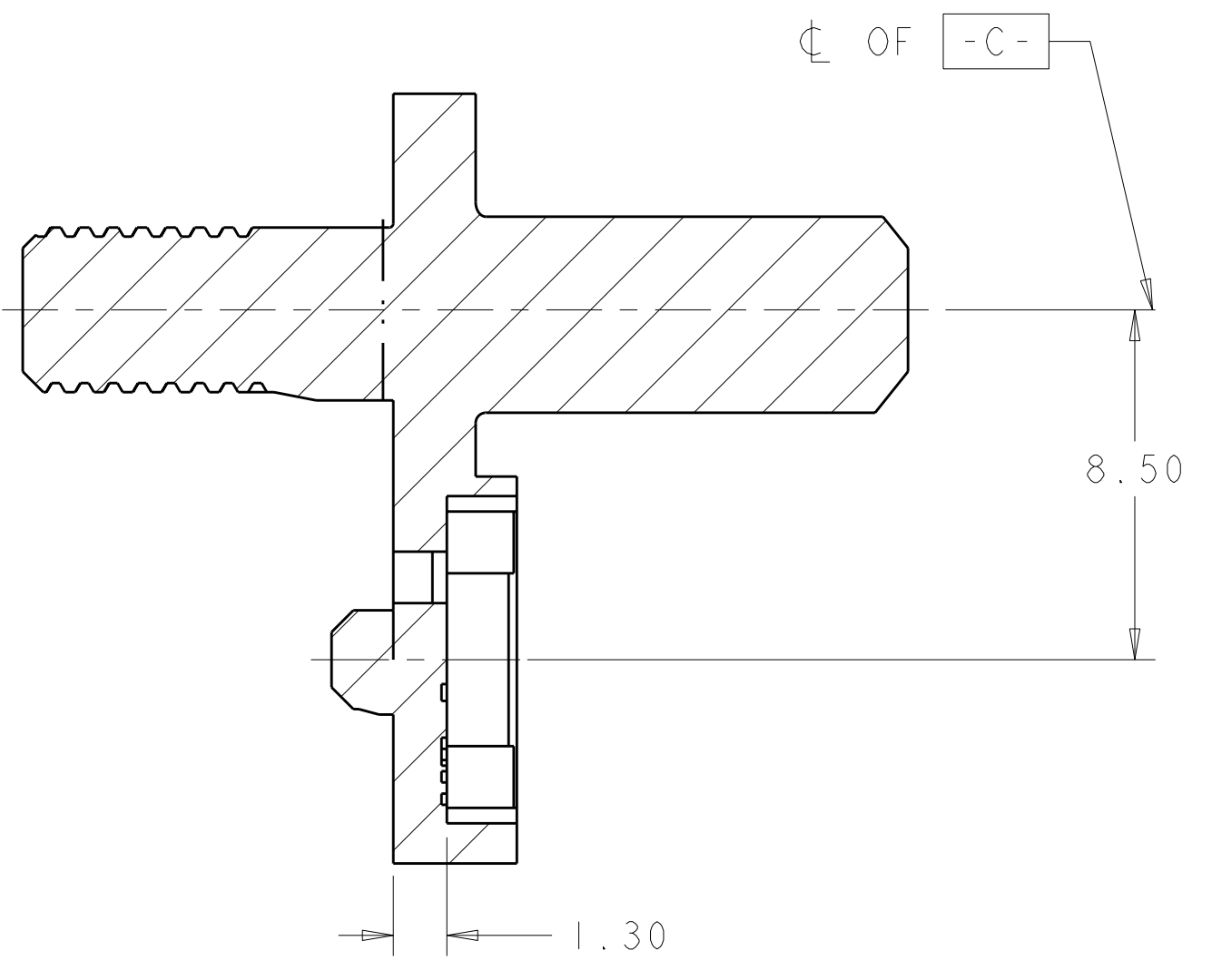


LOC	DIST	REV	DATE	BY	CHK	APPV
AD	00	1	02DEC2008	RT	GG	
		2	25AUG2009	DH	DY	
		A	13APR2010	BC	DY	

△ ZINC ALLOY  
 △ FINISH: CLEAR CHROMATE

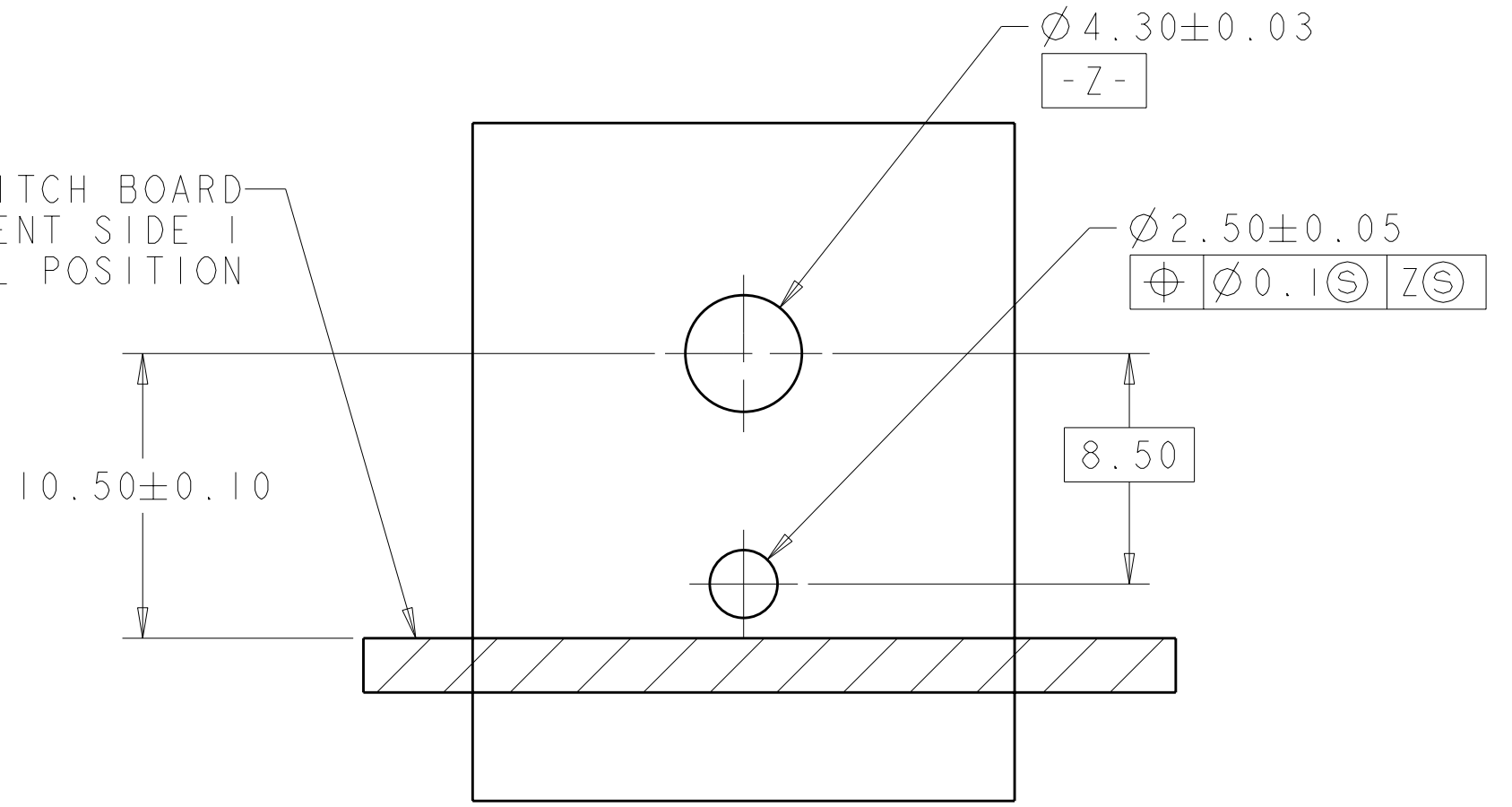


SECTION D-D  
 SCALE 6:1



SECTION C-C

PAYLOAD OR SWITCH BOARD  
 COMPONENT SIDE 1  
 NOMINAL POSITION



SHOWING 1410962-2

PCB LAYOUT  
 CONNECTOR SIDE  
 ALL HOLES AND FEATURES  
 (ARE NON PLATED THROUGH HOLES)

DIM "C"	DIM "B"	DIM "A"	PART NUMBER
9.0	3.13	NO FLAT	1410962-9
9.0	3.13	315°	1410962-8
9.0	3.13	270°	1410962-7
9.0	3.13	225°	1410962-6
9.0	3.13	180°	1410962-5
9.0	3.13	135°	1410962-4
9.0	3.13	90°	1410962-3
9.0	3.13	45°	1410962-2
9.0	3.13	0°	1410962-1

DIMENSIONS: mm 		TOLERANCES UNLESS OTHERWISE SPECIFIED: 9 PLC ± 1 PLC ±0.13 5 PLC ±0.013 4 PLC ± ANGLES ±		DWN R. TREA 10JUN2004 CHK G. GRIFFITH 10JUN2004 APVD D. YI 13APR2010		Tyco Electronics Harrisburg, PA 17105-3608	
MATERIAL: △		FINISH: △		PRODUCT SPEC APPLICATION SPEC		NAME: HOUSING, KEY/ALIGNMENT PIN, VITA 41	
CUSTOMER DRAWING		WEIGHT: -		SIZE: CAGE CODE DRAWING NO: A100779C=1410962		RESTRICTED TO: -	
SCALE: 6:1		SHEET: 1 OF 1		REV: A		Tyco Electronics logo	