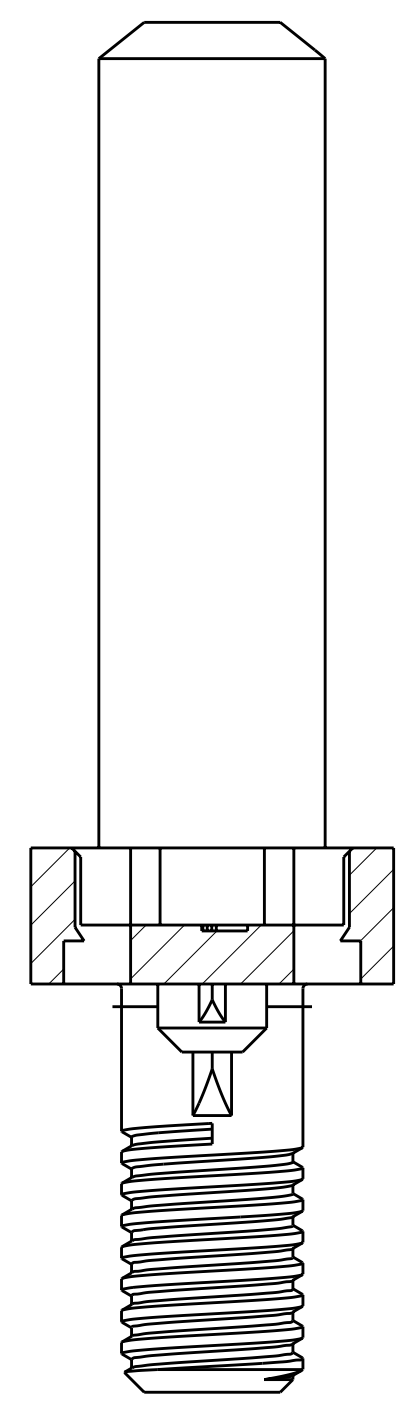
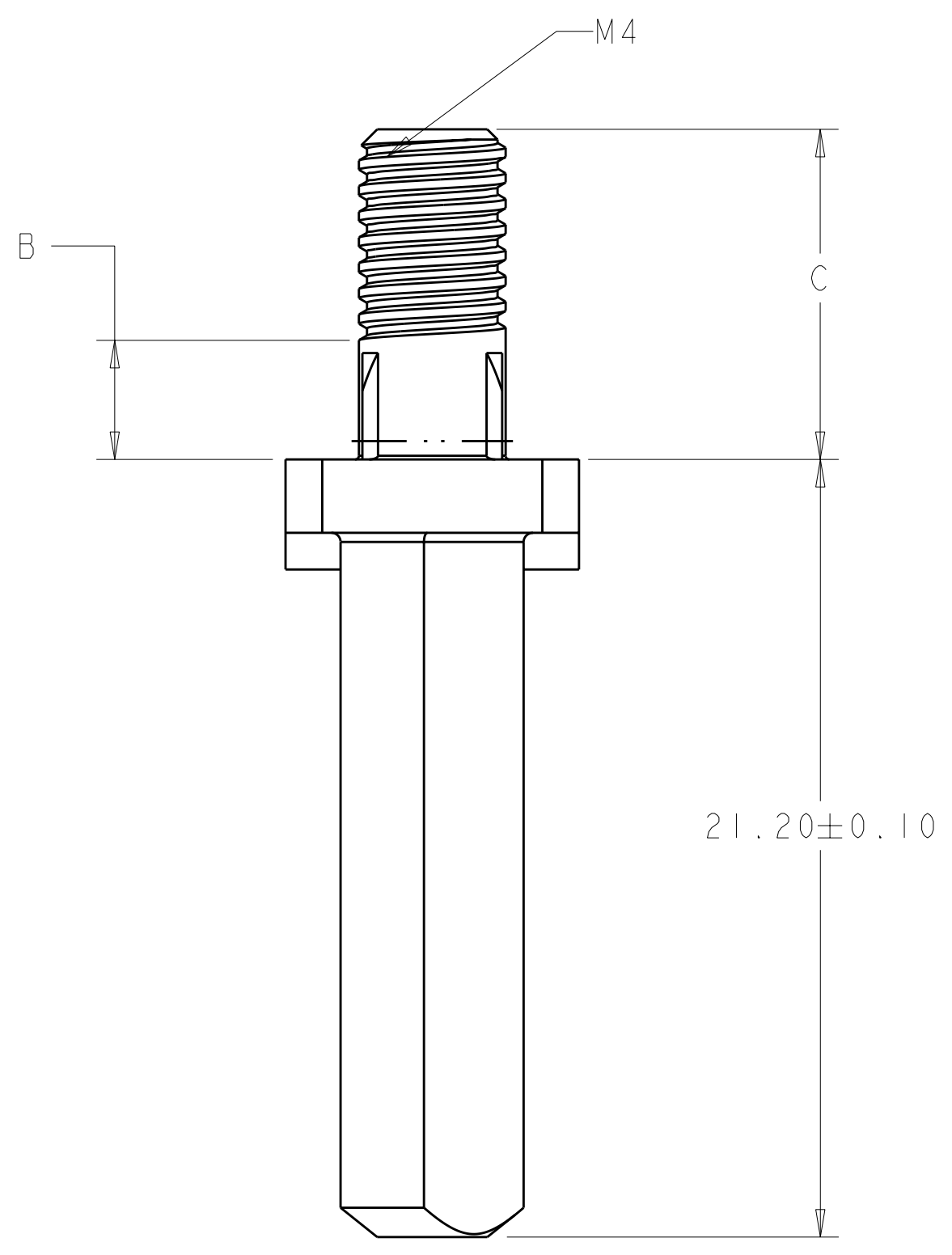


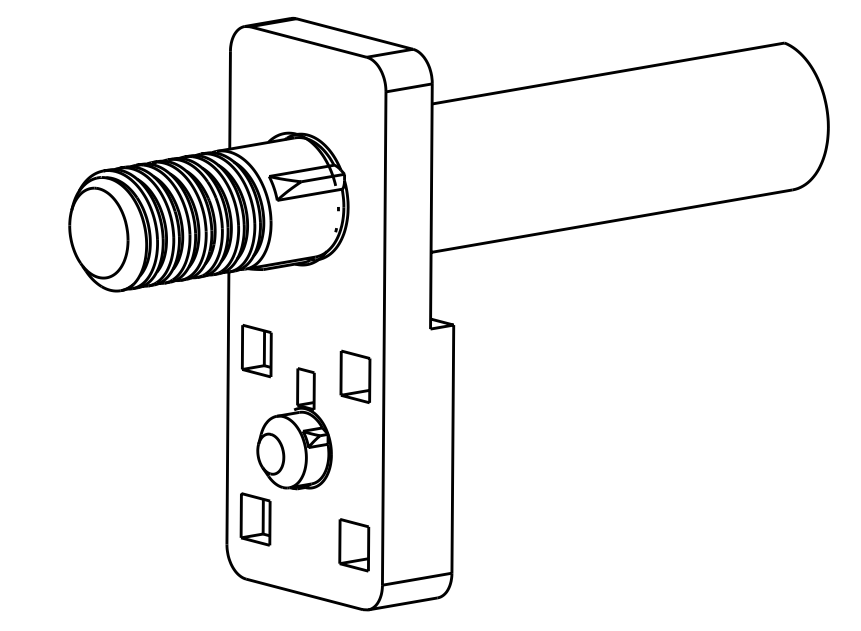
REVISONS		DATE	DWN	APVD
1	PROPOSED	28APR2009	RT	GG
2	REVISED	25AUG2009	DH	DY
A	REV PER ECO-10-006114	13APR2010	BC	DY



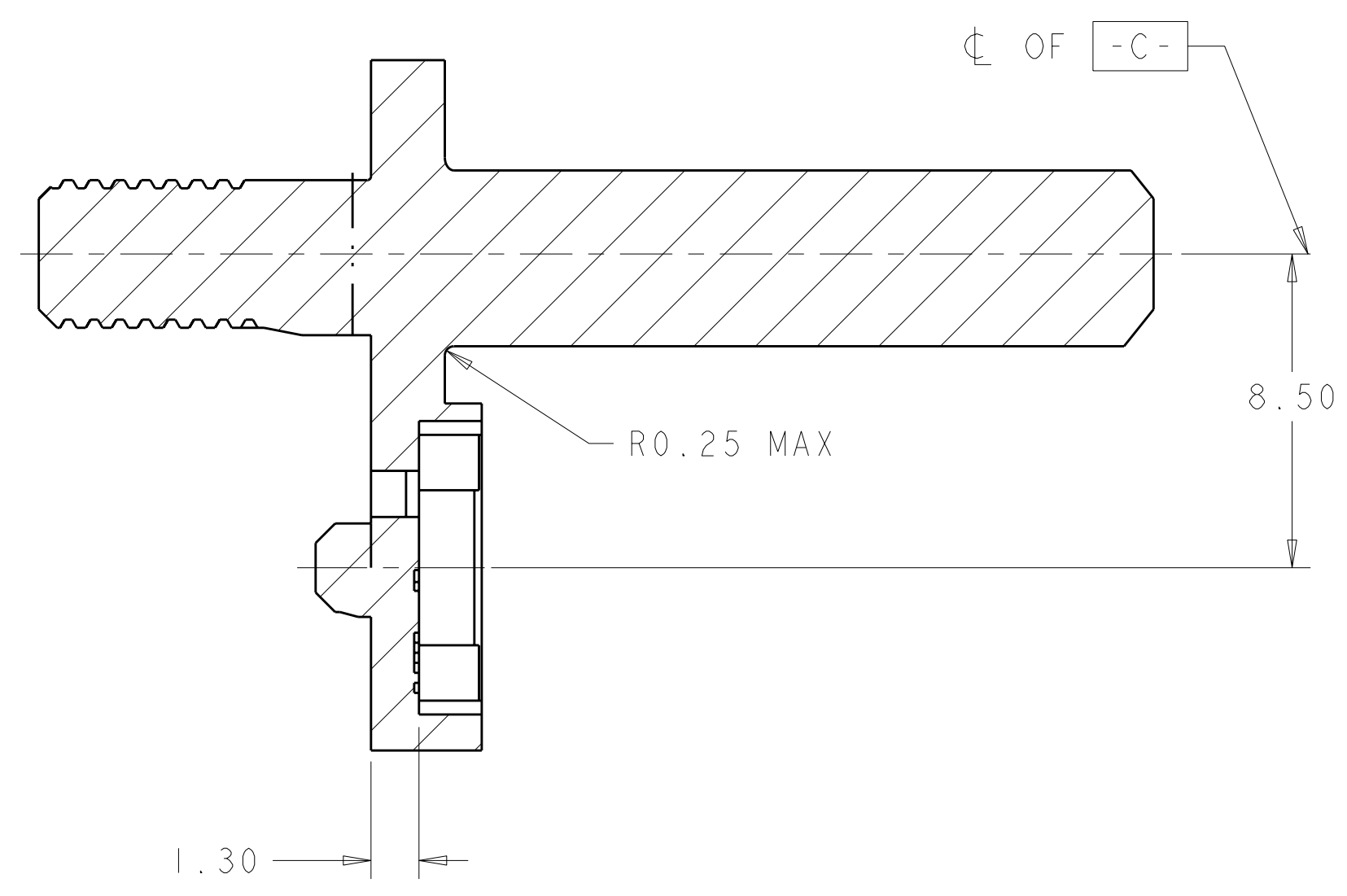
SECTION D-D
SCALE 6:1



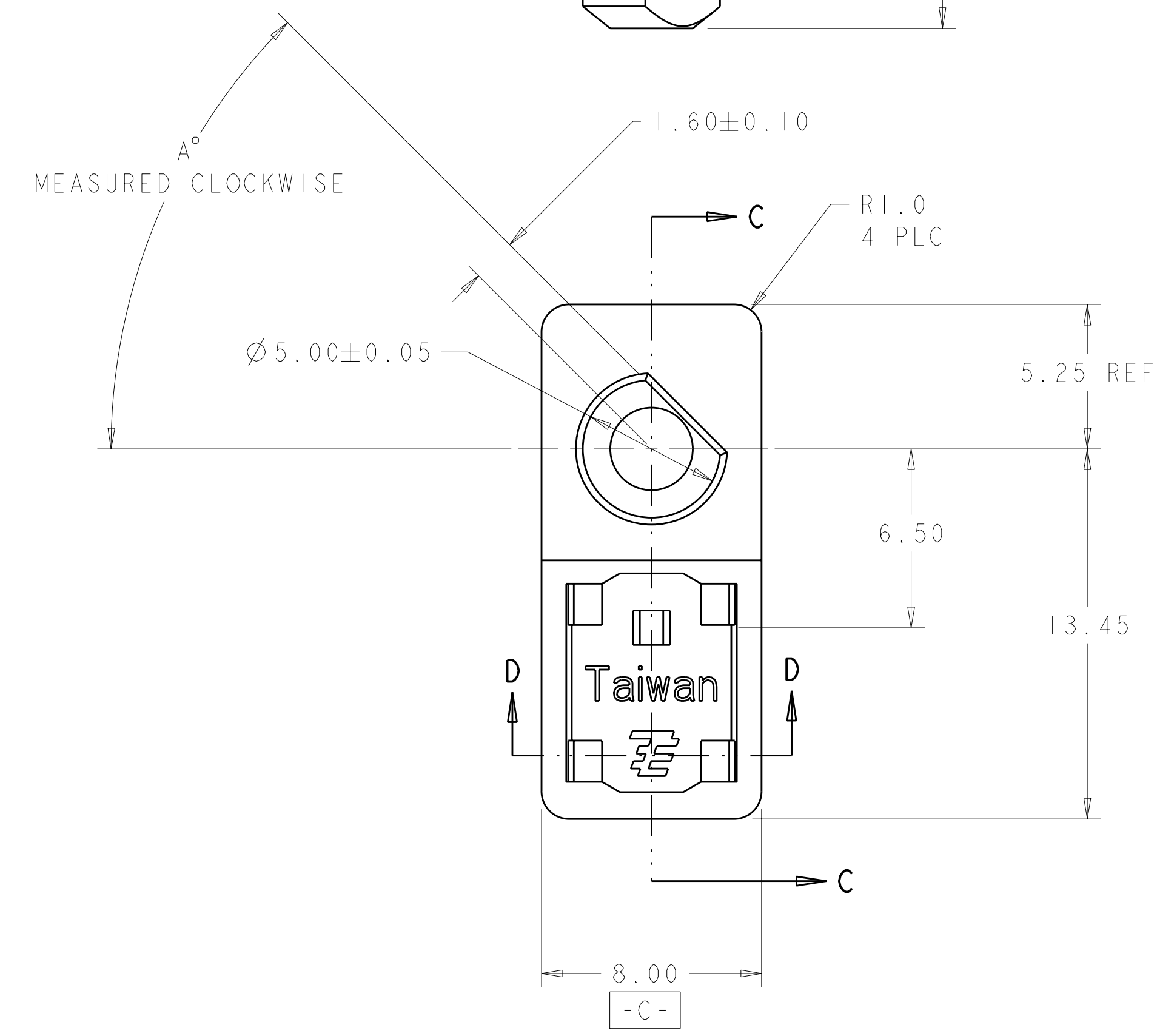
△ ZINC ALLOY
 △ FINISH: CLEAR CHROMATE



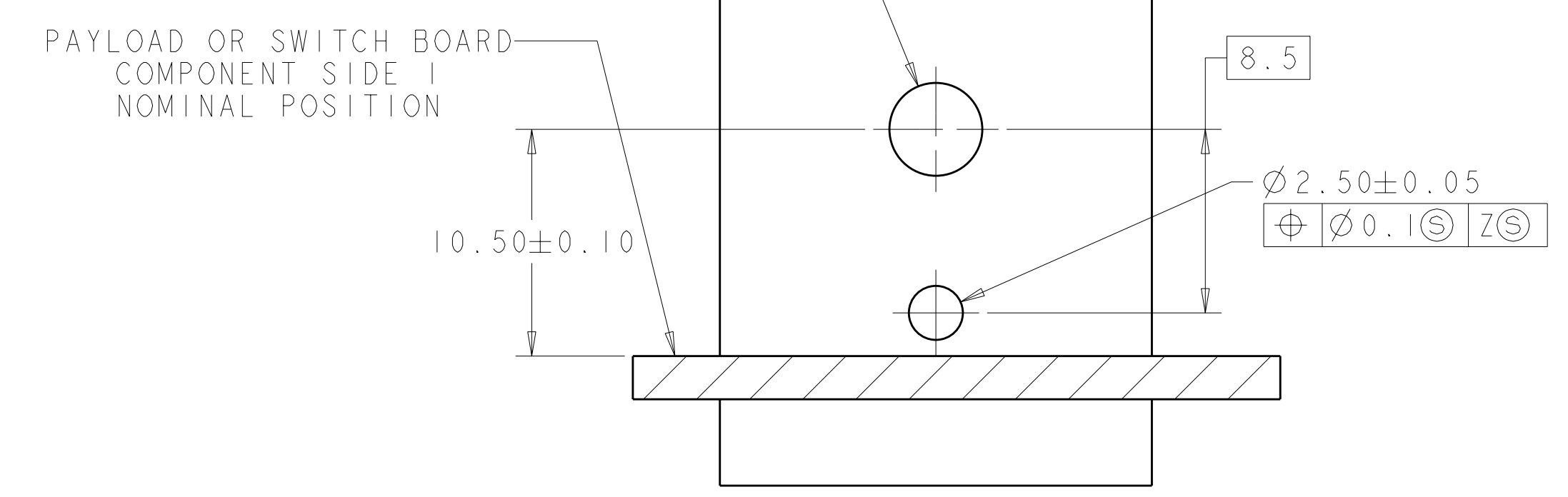
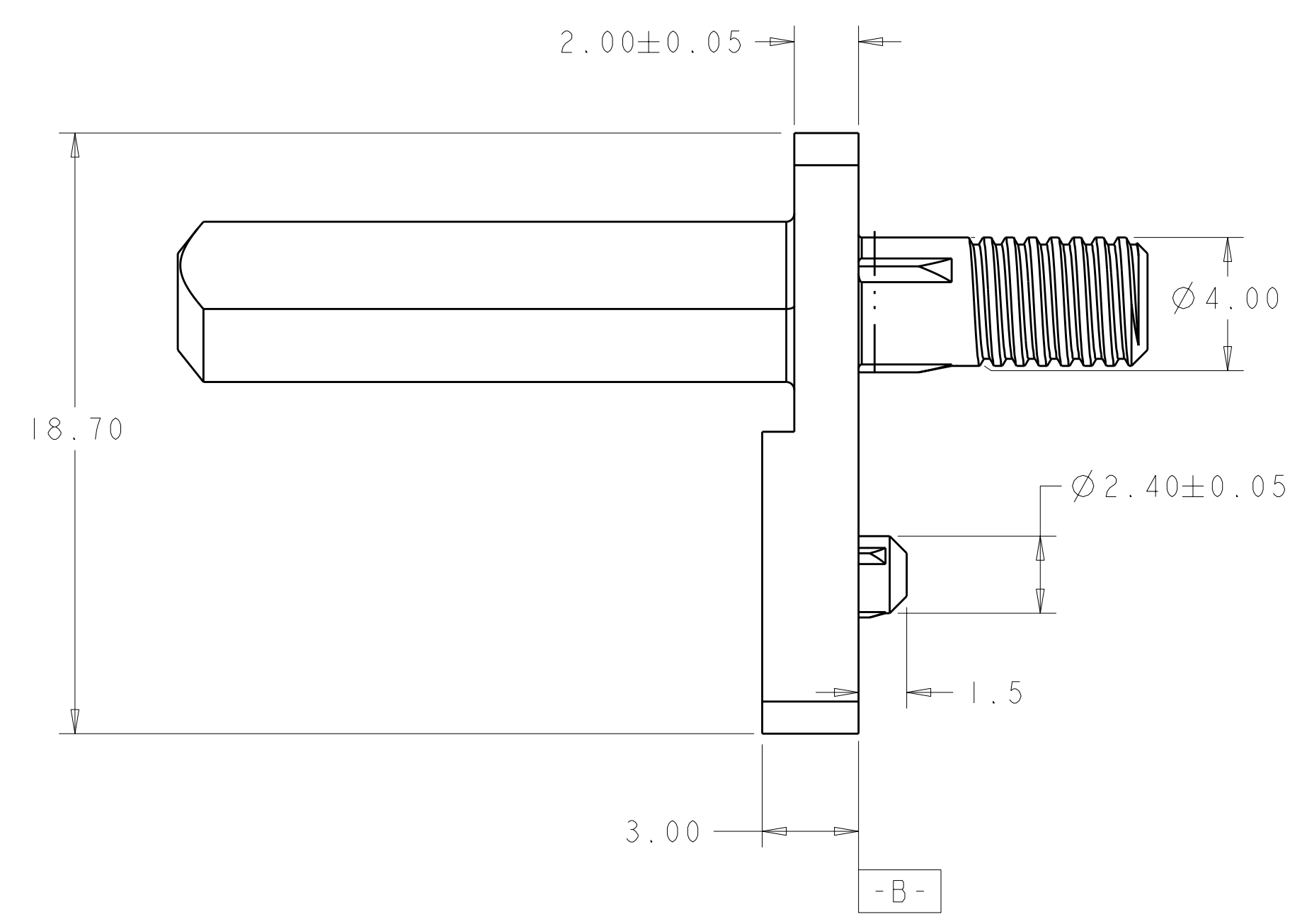
SCALE 4:1



SECTION C-C



SHOWING 1410963-2



PCB LAYOUT
CONNECTOR SIDE
ALL HOLES AND FEATURES
(ARE NON PLATED THROUGH HOLES)

DIM "C"	DIM "B"	DIM "A"	PART NUMBER
9.0	3.13	NO FLAT	1410963-9
9.0	3.13	315°	1410963-8
9.0	3.13	270°	1410963-7
9.0	3.13	225°	1410963-6
9.0	3.13	180°	1410963-5
9.0	3.13	135°	1410963-4
9.0	3.13	90°	1410963-3
9.0	3.13	45°	1410963-2
9.0	3.13	0°	1410963-1

DIMENSIONS: mm TOLERANCES UNLESS OTHERWISE SPECIFIED: 9 PLC ±.13 1 PLC ±.13 5 PLC ±0.013 4 PLC ±. ANGLES ±. FINISH: △		DWN: R. TREA 28APR2009 CHK: G. GRIFFITH 28APR2009 APVD: G. GRIFFITH 28APR2009 PRODUCT SPEC: HOUSING, KEY/ALIGNMENT PIN, VITA 41 APPLICATION SPEC:		Tyco Electronics Harrisburg, PA 17105-3608	
MATERIAL: △		WEIGHT: - CUSTOMER DRAWING		SIZE: A 00779 C=1410963 SCALE: 6:1 SHEET 1 OF 1 REV A	