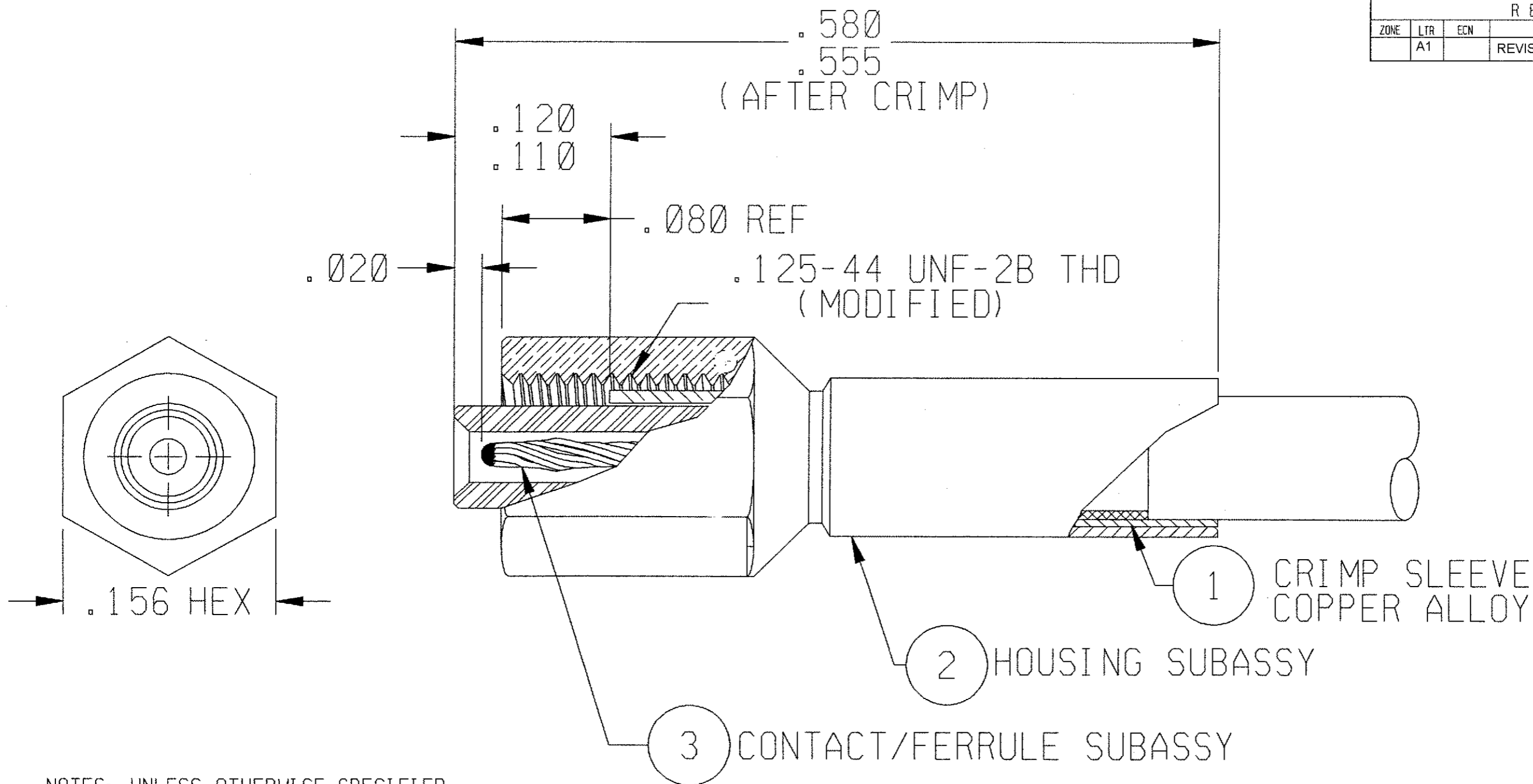


REVISION					
ZONE	LTR	ECN	DESCRIPTION	DATE	APPROVED
	A1		REVISED PER ECO-11-005139	28MAR11	HMR




NOTES: UNLESS OTHERWISE SPECIFIED

1. ALL METALLIC PARTS ARE GOLD PLATED PER MIL-G-45204, TYPE II, GRADE C, CLASS 1
2. MATES WITH ALL LEPR/CON 141 SCREW-ON SERIES JACKS AND RECEPTACLES.
3. FOR ASSEMBLY INSTRUCTION SEE RF-ASMB-12.
4. CABLE ACCEPTANCE DIMENSIONS:

CENTER CONDUCTOR DIA	-.012
DIELECTRIC DIA	-.034
SHIELD DIA	-.054
JACKET DIA	-.080

TE CONNECTIVITY Dwg 3-1532145-3
Micro P/N 142-0000-0000

UNLESS OTHERWISE SPECIFIED DIMENSIONS ARE IN INCHES. TOLERANCE ARE:			APPROVALS		 TE Connectivity
FRACTIONS	DECIMALS	ANGLES	SIGNATURE	DATE	
± 1/8	.XX ± .XXX ±.010	± 2°	DRAWN MEL F. CAMPOS	06/13/96	STRAIGHT PLUG CONNECTOR ASSY PROD CODE 946 CODE CDM
MATERIAL:			CHECKED		
FINISH:			PRO. ENG. <i>[Signature]</i>	6/24/96	
			APPROVED		
			SIZE: CODE IDENT NO. DRAWING NO. B 98278 3-1532145-3		
			SCALE: NONE		SHEET 1 OF 1