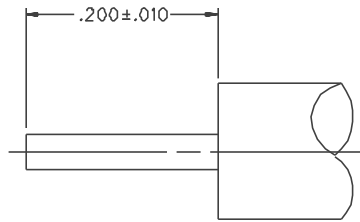
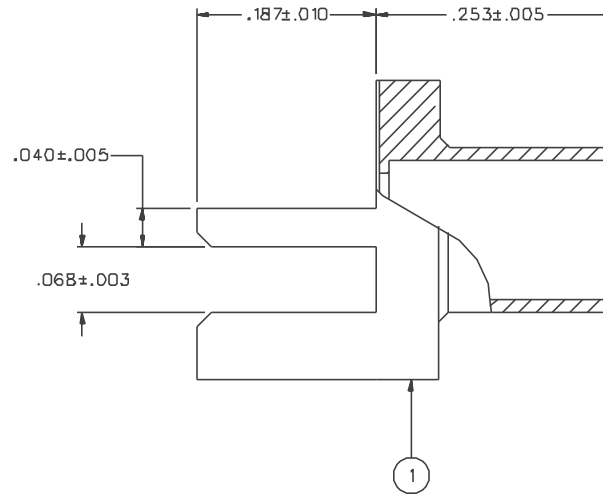
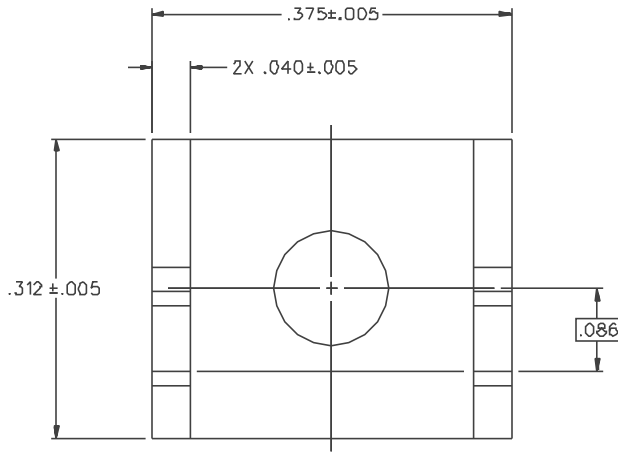


PART NUMBER	ITEM ①
142-0094-801	BODY
BRASS GOLD PL .00001 MIN OVER NICKEL PL .00005 MIN COPPER PL .00005 MIN	

DRAWING NO.	
C - 142-0094-801/810	
0	REVISIONS
ENGINEERING RELEASE	
1	6-18-96 R H P K S ECN 44096



CABLE STRIP DIMENSIONS

CUSTOMER DRAWING

THIS DRAWING TO BE INTERPRETED PER ANSI Y 14.5M - 1982

"μSTATION"


COMPANY CONFIDENTIAL

NOTES:

1. SPECIFICATIONS:

CABLE ACCEPTABILITY: RG-402 .141 DIA SEMIRIGID

CABLE RETENTION: 60 LBS MIN FORCE  
55 NCH-OUNCE MIN TORQUE

TOLERANCE UNLESS OTHERWISE SPECIFIED		DRAWN BY	DATE	 <small>Cinch Connectivity Solutions 299 Johnson Ave. Ste. 100 Worcester, MA 01603 1-800-247-8256</small>
DECIMALS	mm	JRK	6-12-96	
.XX		CHECKED BY	DATE	TITLE CABLE TERMINATION, END LAUNCH, RG-402 SEMI-RIGID CABLE
.XXX		JRK	6-18-96	
MATL		APPROVED BY	DATE	CODE NO.
		TAK	6-21-96	
FINISH		APPROVED BY	DATE	DRAWING NO.
		RJS	6-24-96	
		RELEASE DATE		C - 142-0094-801/810
		SCALE 10:1		U/M INCH SHEET 2 OF 2