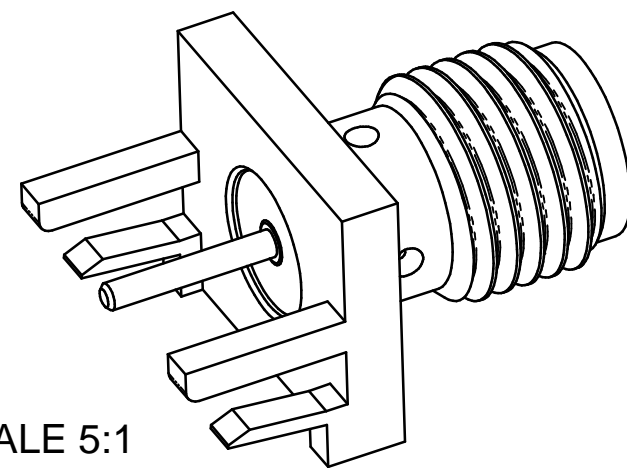
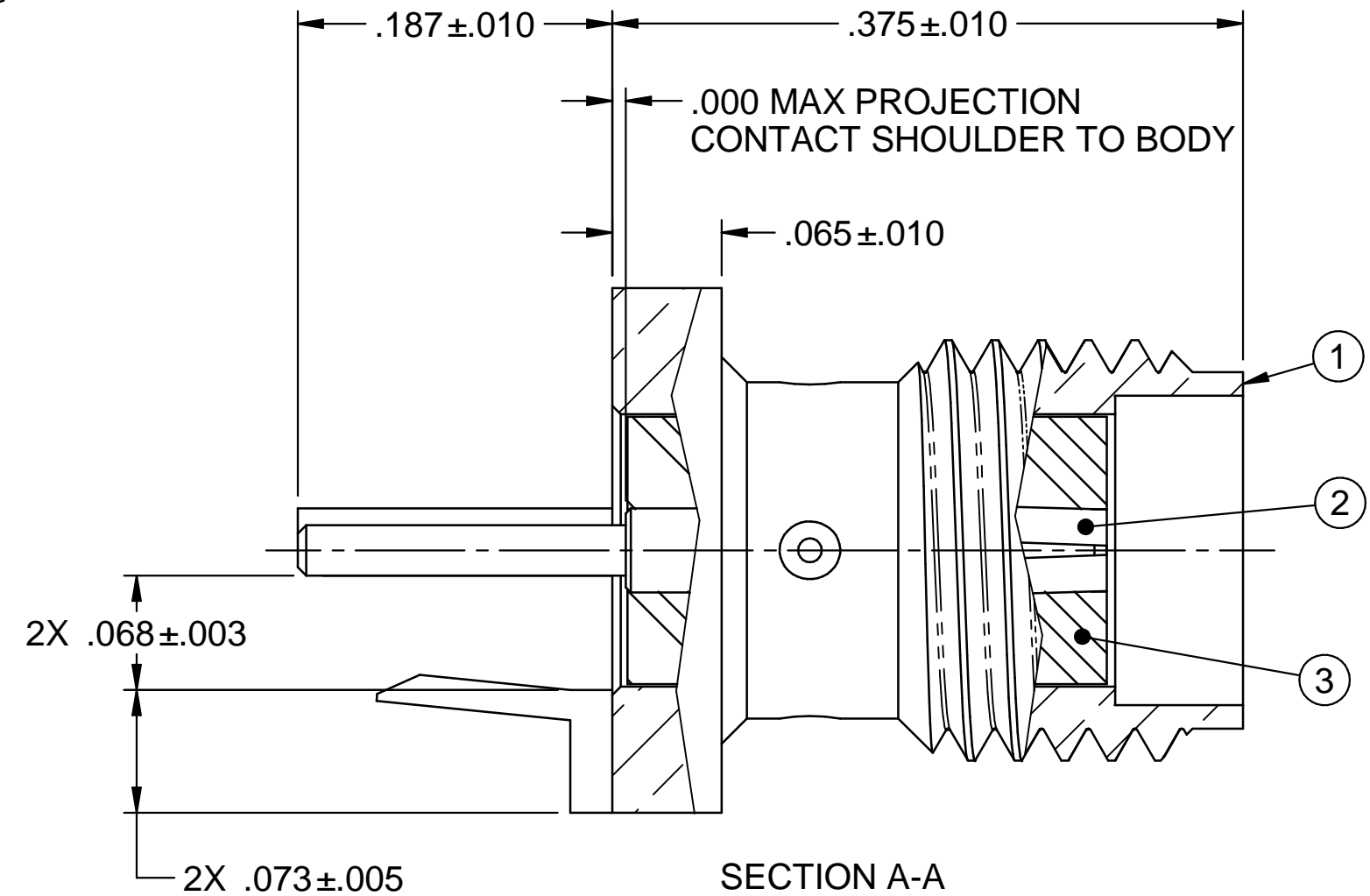
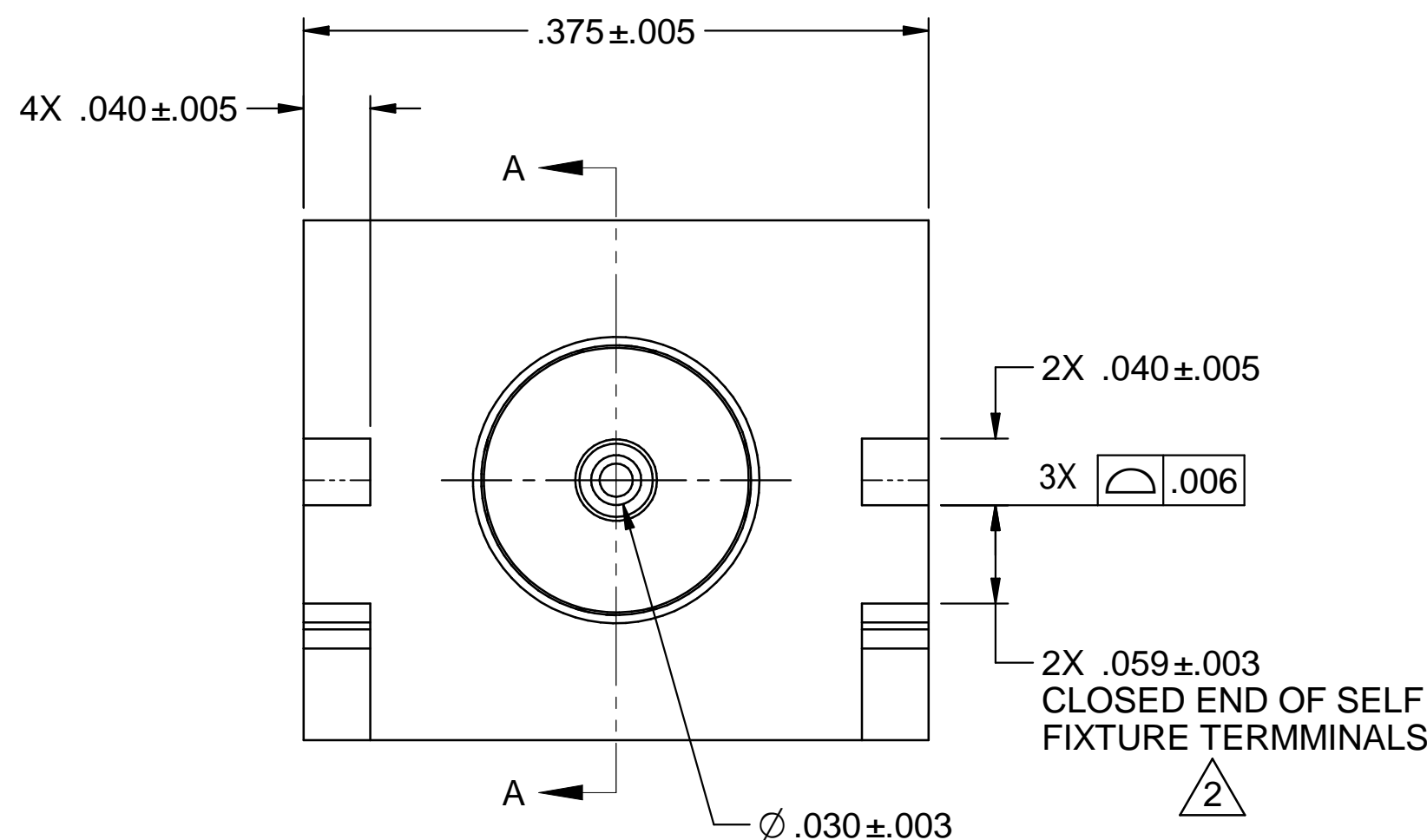


| PART NUMBER | ITEM 1 BODY | ITEM 2 CONTACT | ITEM 3 INSULATOR |
|--------------|---|--|------------------|
| 142-0791-801 | BRASS GOLD PL .00001 MIN OVER NICKEL PL .00005 MIN OVER COPPER PL .00005 MIN | BERYLLIUM COPPER GOLD PL .00005 MIN OVER NICKEL PL .00005 MIN OVER COPPER PL .00005 MIN | TEFLON |

| ZONE | REV | ECO | DESCRIPTION | APPR. | DATE |
|------|-----|-------|-------------|-------|----------|
| | 1 | 52058 | RELEASED | TAK | 10/13/09 |
| | 1A | 53953 | | TAK | 1/16/12 |



SCALE 5:1



NOTES: UNLESS OTHERWISE SPECIFIED.

1. SPECIFICATIONS:

ELECTRICAL:

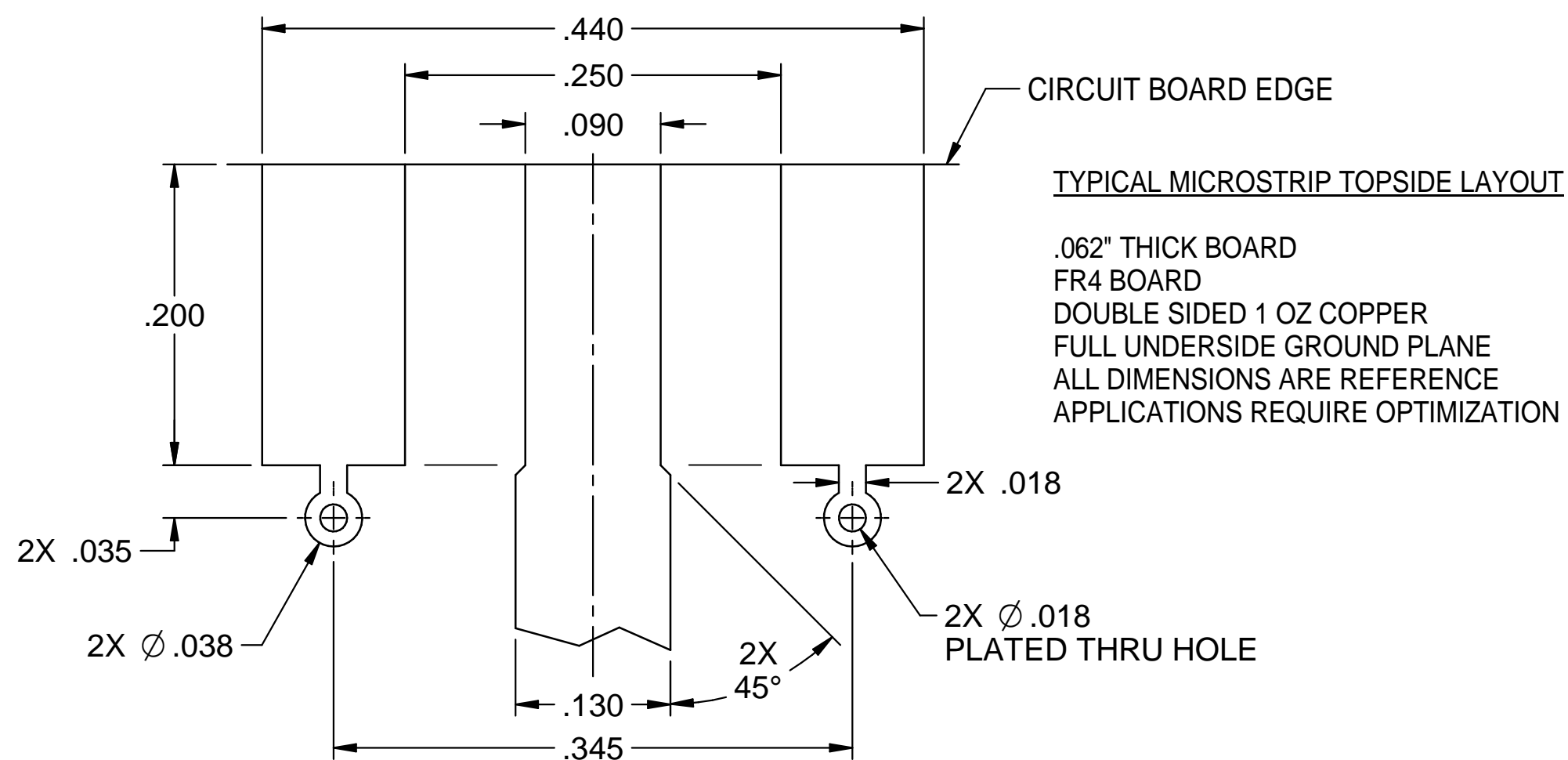
- IMPEDANCE: 50 OHMS
- FREQUENCY RANGE: 0-18 GHz
- VSWR: <1.50 TYPICAL AT 0-18 GHz
- WORKING VOLTAGE: 335 VRMS MAX AT SEA LEVEL
- DIELECTRIC WITHSTANDING VOLTAGE: 1000 VRMS MIN AT SEA LEVEL
- INSULATION RESISTANCE: 5000 MEGOHMS MIN
- CONTACT RESISTANCE: CENTER CONTACT - INITIAL 3 MILLIOHMS MAX
AFTER ENVIRONMENTAL - 4 MILLIOHMS MAX
- OUTER CONDUCTOR - INITIAL 2.0 MILLIOHMS MAX
AFTER ENVIRONMENTAL - N/A
- CORONA LEVEL: 250 VOLTS MIN AT 70,000 FEET
- RF HIGH POTENTIAL WITHSTANDING VOLTAGE: 670 VRMS MIN AT 4 AND 7 MHz

MECHANICAL:

- ENGAGEMENT/DISENGAGEMENT TORQUE: 2 INCH POUNDS MAX
- MATING TORQUE: 7-10 INCH POUNDS
- CONTACT RETENTION: 6 LBS MIN AXIAL FORCE
4 OZ-IN MIN RADIAL TORQUE
- DURABILITY: 500 CYCLES MIN

ENVIRONMENTAL:

- (MEETS OR EXCEEDS THE APPLICABLE PARAGRAPH OF MIL-PRF-39012)
- THERMAL SHOCK: MIL-STD-202, METHOD 107, CONDITION B
- OPERATING TEMPERATURE: -65°C TO 165°C
- CORROSION: MIL-STD-202, METHOD 101, CONDITION B
- SHOCK: MIL-STD-202, METHOD 213, CONDITION I
- VIBRATION: MIL-STD-202, METHOD 204, CONDITION D
- MOISTURE RESISTANCE: MIL-STD-202, METHOD 106



TYPICAL MICROSTRIP TOPSIDE LAYOUT

- .062" THICK BOARD
- FR4 BOARD
- DOUBLE SIDED 1 OZ COPPER
- FULL UNDERSIDE GROUND PLANE
- ALL DIMENSIONS ARE REFERENCE
- APPLICATIONS REQUIRE OPTIMIZATION

2. ALL CONNECTOR TERMINALS SHALL BE SOLDERED TO THE CIRCUIT BOARD.

| | | | | | |
|--|---|---------------------------|--|------------------------|--------------------------|
| <p>This PROPRIETARY Document is property of Cinch Connectivity Solutions. It is confidential in nature, non-transferable, and issued with the clear understanding that it is not traced or copied without permission and is returnable upon demand.</p> <p>INTERPRET DRAWING IN ACCORDANCE WITH ASME Y14.5-2009.</p> | Model No. 142-0791-801/810 | | JOHNSON | | |
| | Cage Code 34078 | | Title SMA JACK SELF FIXTURE END LAUNCH | | Material |
| | 3RD ANGLE PROJECTION | | Drawing No. 142-0791-801/810 | | Rev. Finish 1A |
| | UNLESS OTHERWISE SPECIFIED UNITS: INCHES | | Drawn by TAK | Date 9/18/07 | Size C |
| | | Approved by TAK | Date 10/13/09 | Scale 10:1 | Sheet 1 of 2 |