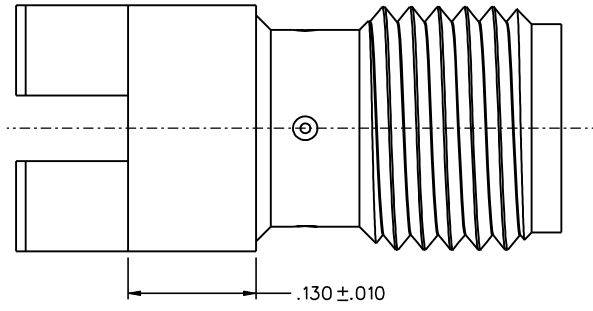
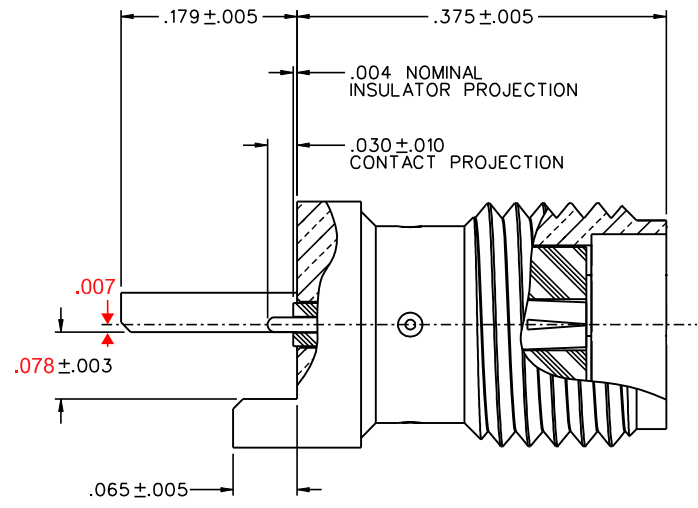
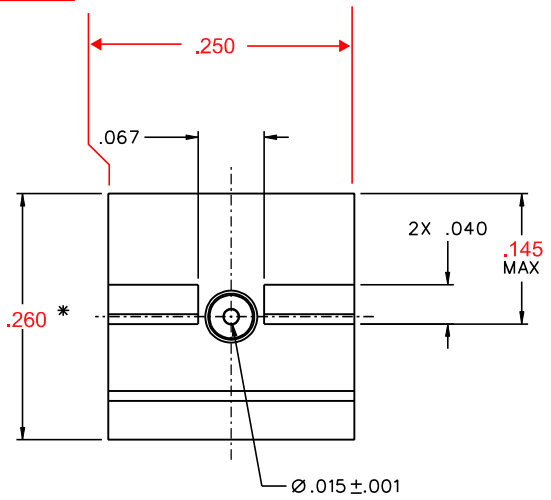
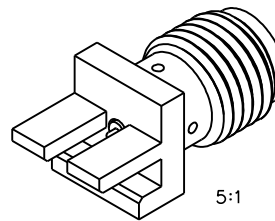


MODEL NUMBER
142-1721-881

REV 001 MARKUP
ECO 56952
D. CURTIS 2/22/18



MATERIAL & FINISH:
BODY: GOLD PLATED BRASS
CONTACT: GOLD PLATED BERYLLIUM COPPER
INSULATOR: PTFE (TEFLON)

NOTES:

1. ELECTRICAL:

IMPEDANCE: 50 OHMS
FREQUENCY RANGE: 0-26.5 GHz
VSWR: 1.05+.02F(GHz) MAX AT 0-18 GHz, TYPICALLY < 1.50 AT 18-26.5 GHz
WORKING VOLTAGE: 170 VRMS MAX AT SEA LEVEL
DIELECTRIC WITHSTANDING VOLTAGE: 500 VRMS MIN AT SEA LEVEL
INSULATION RESISTANCE: 1000 MEGOHM MIN
CONTACT RESISTANCE:
CENTER CONTACT - INITIAL 3.0 MILLIOHM MAX, AFTER ENVIRONMENTAL 4.0 MILLIOHM MAX
OUTER CONDUCTOR - INITIAL 2.0 MILLIOHM MAX AFTER ENVIRONMENTAL NOT APPLICABLE
CORONA LEVEL: 125 VOLTS MIN AT 70,000 FEET
~~INSERTION LOSS: NOT APPLICABLE (DEPENDANT UPON APPLICATION)~~
~~RF LEAKAGE: NOT APPLICABLE~~
RF HIGH POTENTIAL WITHSTANDING VOLTAGE: 335 VRMS MIN AT 4 AND 7 MHZ

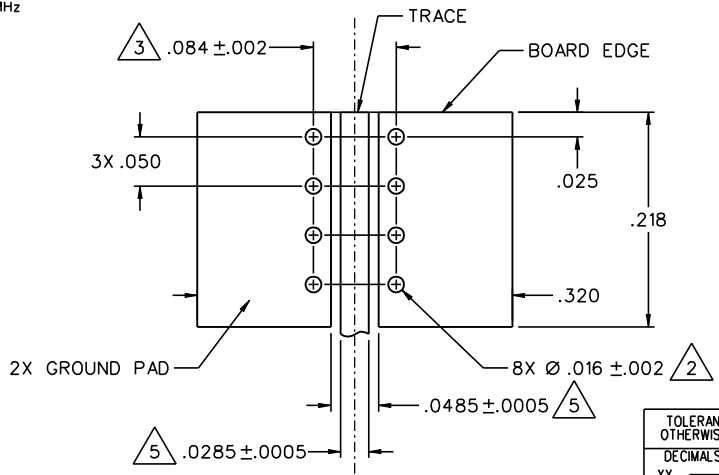
MECHANICAL:

ENGAGE/DISENGAGE TORQUE: 2 INCH-POUNDS MAX
MATING TORQUE: 7-10 INCH-POUNDS WHEN BODY SUPPORTED WITH WRENCH
* 8 INCH-POUNDS MAX UNSUPPORTED
CONTACT RETENTION: 6 LBS MIN AXIAL FORCE ON MATING END
4 IN-OZ MIN RADIAL TORQUE
DURABILITY: 500 CYCLES MIN

ENVIRONMENTAL:

(MEETS OR EXCEEDS THE APPLICABLE PARAGRAPH OF MIL-PRF-39012)
THERMAL SHOCK: MIL-STD-202, METHOD 107, CONDITION B, EXCEPT 115°C HIGH TEMP
OPERATING TEMPERATURE: -65 DEG C TO 165 DEG C
CORROSION: MIL-STD-202, METHOD 101, CONDITION B
SHOCK: MIL-STD-202, METHOD 213, CONDITION I
VIBRATION: MIL-STD-202, METHOD 204, CONDITION D
MOISTURE RESISTANCE: MIL-STD-202, METHOD 106

- 2. ALL HOLES PLATED THRU ENTIRE CIRCUIT BOARD STACKUP.
- 3. HOLE PATTERNS SYMMETRICAL ABOUT CENTER OF CPW TRACE.
- 4. FOR OPTIMUM CIRCUIT BOARD HIGH FREQUENCY PERFORMANCE:
 - A. MAINTAIN SOLID GROUND PLANE BELOW HF SUBSTRATE.
 - B. CONTROL PULLBACK OF TRACE AND GROUND FROM BOARD EDGE.
 - C. CONTINUE GROUNDED COPLANAR LINE BEYOND GROUND PADS.
 - D. PLACE 16 MIL DIA GROUND VIAS ON BOTH SIDES OF COPLANAR WAVEGUIDE LINE AT 50 MIL INTERVALS ALONG ENTIRE LENGTH.
 - E. IMMERSION GOLD PLATE (ENIG) ALL CONDUCTORS PER IPC-4552.
- 5. REFERENCE DIMENSIONS FOR 50 OHM GROUNDED CPW LINE, USING ROGERS RO4003, 16 MIL HIGH FREQUENCY CIRCUIT BOARD SUBSTRATE:
 - TRACE WIDTH = 28.5 MILS
 - GROUND GAPS = 10 MILS
 - CONDUCTOR THICKNESS = 1.4 MIL (INCLUDES PLATING)



MOUNTING FOOTPRINT
10:1 (TOP VIEW, INCLUDING TRACE DIMENSIONS)

TOLERANCE UNLESS OTHERWISE SPECIFIED	DECIMALS	mm	DRAWN BY JRK	DATE 11-3-04	P.O. Box 1732 Waseca, MN 56093 1-800-247-8256
	.XX			CHECKED BY	
.XXX ±.003			APPROVED BY JRK	DATE 12-15-04	TITLE HIGH FREQ END LAUNCH SMA JACK ASSEMBLY, EDGE MOUNT, 15 MIL PIN
MATL			RELEASE DATE	12-15-04	SHEET 2 OF 2
FINISH			U/M	INCH	SCALE 10:1
					DRAWING NO. C - 142-1721-881/890