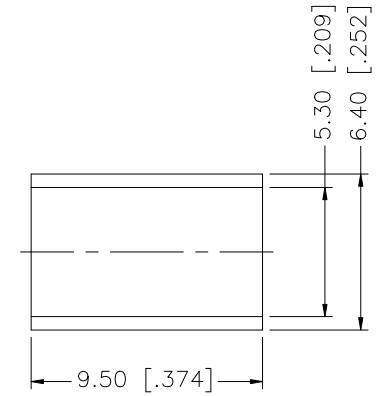
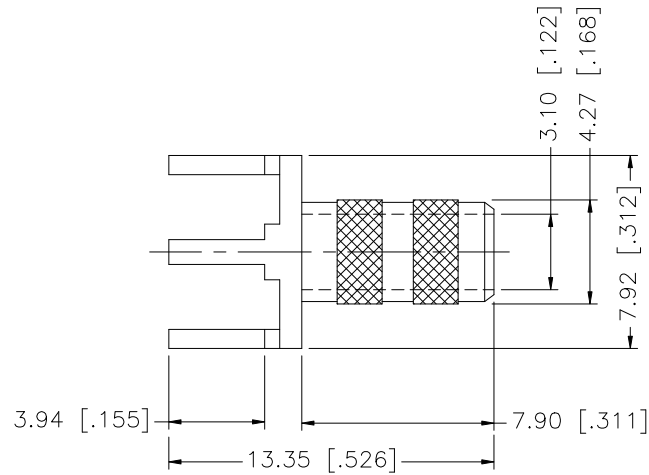
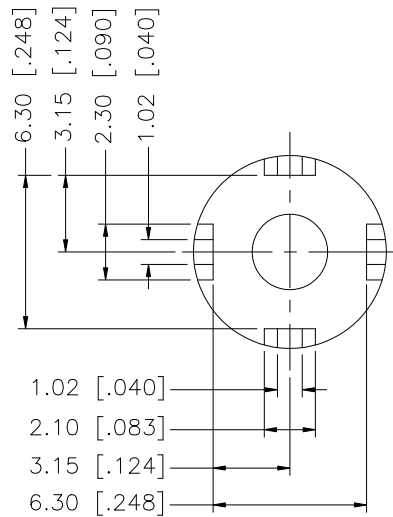
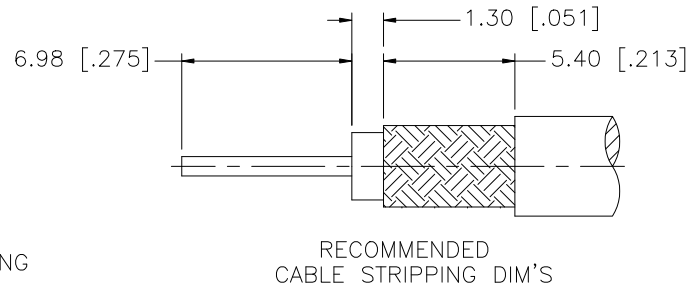
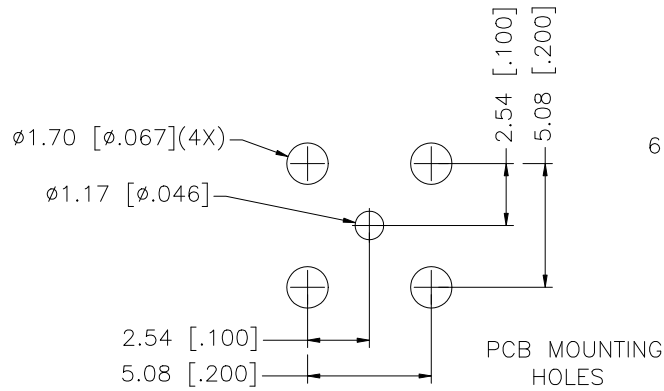


REV.	DATE	DESCRIPTION
NC	08/20/97	INITIAL RELEASE
A	12/10/07	UPDATE DRAWING FORMAT



8				
7				
6				
5				
4				
3				
2	FERRULE	COPPER	NICKEL	1
1	BODY	BRASS	NICKEL	1
	DESCRIPTION	MATERIAL	FINISH	QTY

UNLESS OTHERWISE SPECIFIED DIMENSIONS ARE IN MILLIMETERS. DIMENSIONS IN [ ] ARE IN INCHES AND FOR CUSTOMER REFERENCE ONLY.

UNLESS OTHERWISE SPECIFIED TOLERANCES FOR MILLIMETERS ARE:  
0.5 - 8mm ± 0.20mm  
8 - 30mm ± 0.40mm  
30 - 120mm ± 0.50mm

UNLESS OTHERWISE SPECIFIED TOLERANCES FOR INCHES ARE:  
.020 - .315 = ± 0.007"  
.315 - 1.180 = ± 0.015"  
1.180 - 4.724 = ± 0.020"

DO NOT SCALE DRAWING

APPROVALS	DATE
DRAWN G.R.S.	12/10/07
CHECKED	
ISSUED	
SHEET 1 OF 1	
CAD FILE	C:/142/142197.DWG

<b>Amphenol Connex</b>			
PART DESCRIPTION SHIELDED CABLE PCB TERMINATION (FOR RG-58/U CABLE)			
PART NO. 142197			
DWG. NO.	142197.DWG	REV.	A
SIZE	A	SCALE	NA