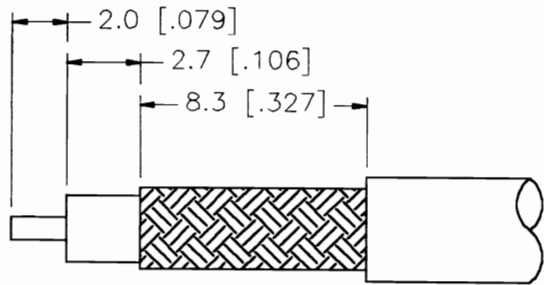
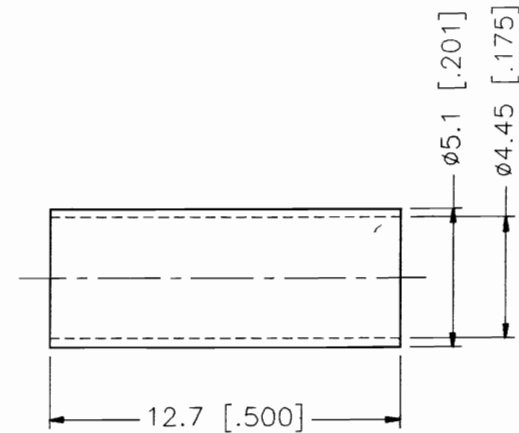
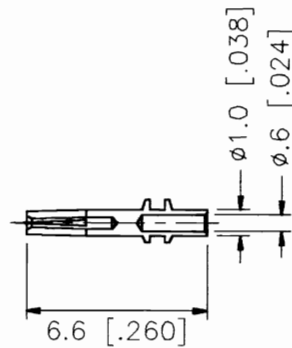
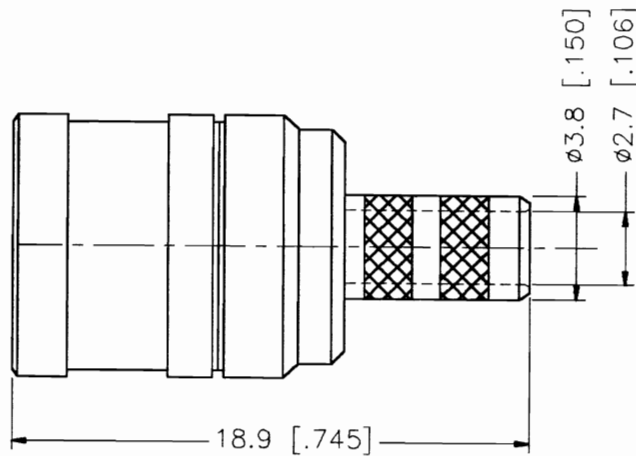



REV.	DATE	DESCRIPTION
NC	11/12/97	INITIAL RELEASE



RECOMMENDED
CABLE STRIPPING DIM'S



DESCRIPTION	MATERIAL	FINISH	UNLESS OTHERWISE SPECIFIED DIMENSIONS ARE IN MILLIMETERS	APPROVALS	DATE					
1 BODY	BRASS	GOLD	DIMENSIONS IN [] ARE IN INCHES FOR CUSTOMER REFERENCE ONLY UNLESS OTHERWISE SPECIFIED TOLERANCES FOR MILLIMETERS ARE: 0.5-6 = ± 0.2 6-30 = ± 0.4 30-120 = ± 0.6 120-315 = ± 1 315-1000 = ± 1.6 1000-2000 = ± 2.4	DRAWN	G.R.S.					11/12/97
2 INSULATOR	TEFLON	NATURAL		CHECKED			SMB CRIMP PLUG			
3 CONTACT PIN	BER. COPPER	GOLD		ISSUED			BELDEN 8218 - 75 ohms			
4 FERRULE	BRASS	GOLD					SIZE	FSCM NO.	DWG. NO.	REV.
5							A	99001	142208.DWG	NC
6							SCALE	NA	PART NO.	142208
7							SHEET			1 OF 1
8				DO NOT SCALE DRAWING						