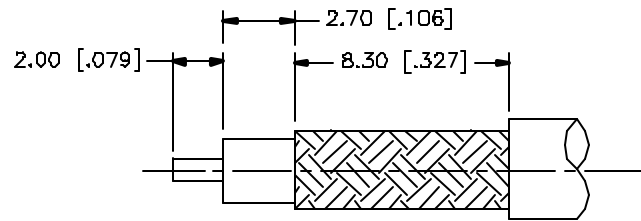
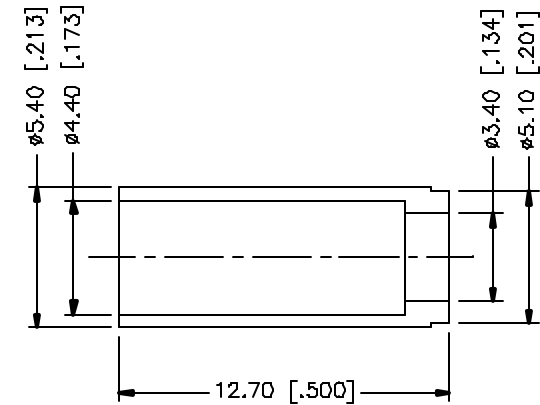
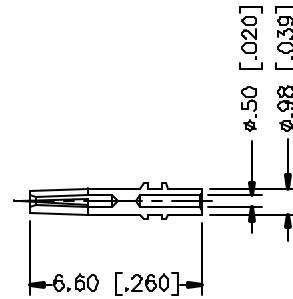
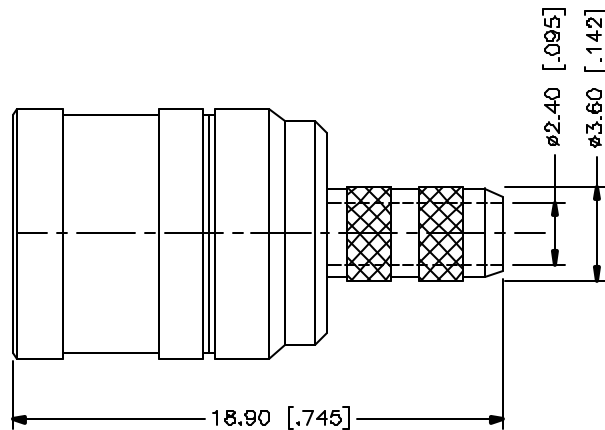


REV.	DATE	DESCRIPTION
A	03/27/05	UPDATE DRAWING FORMAT



RECOMMENDED  
CABLE STRIPPING DIM'S



8				
7				
6				
5				
4	FERRULE	BRASS	GOLD	1
3	CONTACT PIN	BER. COPPER	GOLD	1
2	INSULATOR	TEFLON	NATURAL	1
1	BODY	BRASS	GOLD	1
	DESCRIPTION	MATERIAL	FINISH	QTY

UNLESS OTHERWISE SPECIFIED DIMENSIONS ARE IN MILLIMETERS DIMENSIONS IN [ ] ARE IN INCHES AND FOR CUSTOMER REFERENCE ONLY.

UNLESS OTHERWISE SPECIFIED TOLERANCES FOR MILLIMETERS ARE:  
 0.5 - 8mm ± 0.20mm  
 8 - 30mm ± 0.40mm  
 30 - 120mm ± 0.50mm

UNLESS OTHERWISE SPECIFIED TOLERANCES FOR INCHES ARE:  
 .020 - .315 = ± 0.007"  
 .315 - 1.180 = ± 0.015"  
 1.180 - 4.724 = ± 0.020"

DO NOT SCALE DRAWING

APPROVALS		DATE
DRAWN	G.R.S.	03/27/05
CHECKED		
ISSUED		
SHEET	1 OF 1	
DWG FILE		
C:/142/142215.DWG		

# Amphenol Connex

PART DESCRIPTION

SMB CRIMP PLUG  
(FOR AT&T 735A CABLE)

PART NO.

142215

DWG. NO.

142215.DWG

REV. A

SIZE A

SCALE NA