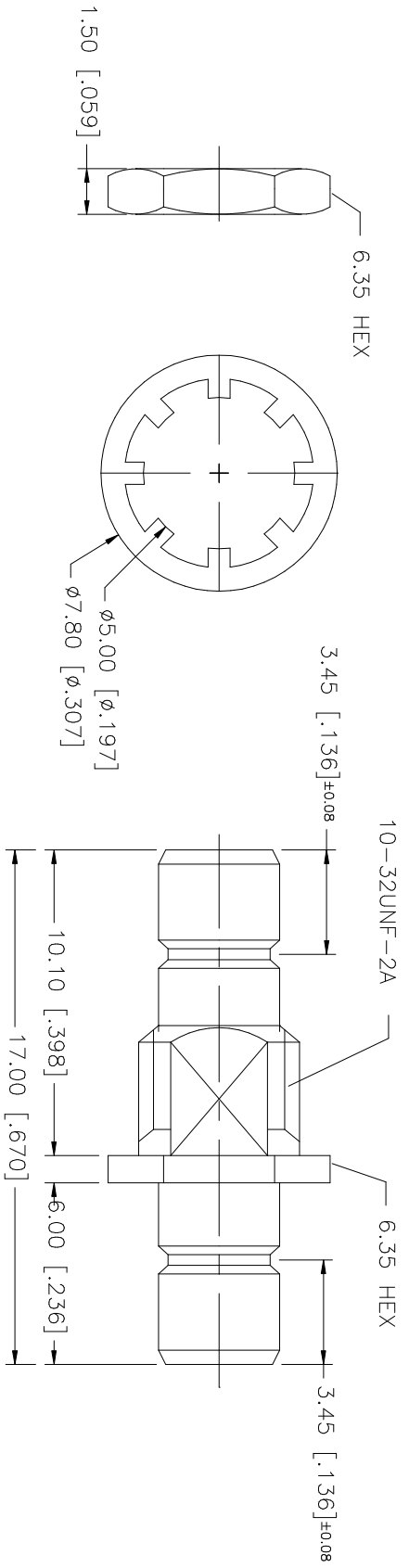
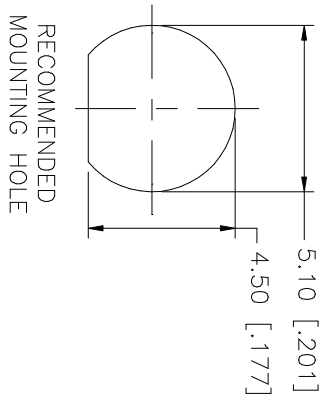


REV.	DATE	DESCRIPTION
A	04/25/04	MODIFY PART DESCRIPTION - UPDATE DRAWING FORMAT



8																		
7																		
6																		
5	HEX NUT	BRASS	NICKEL	1														
4	LOCK WASHER	BRASS	NICKEL	1														
3	CONTACT PIN	BRASS	GOLD	1														
2	INSULATOR	TEFLON	NATURAL	1														
1	HOUSING/BODY	BRASS	NICKEL	1														
	DESCRIPTION	MATERIAL	FINISH	QTY														

UNLESS OTHERWISE SPECIFIED, DIMENSIONS ARE IN MILLIMETERS. DIMENSIONS IN [] ARE IN INCHES AND FOR CUSTOMER REFERENCE ONLY.		UNLESS OTHERWISE SPECIFIED, DIMENSIONS ARE IN MILLIMETERS. DIMENSIONS IN [] ARE IN INCHES AND FOR CUSTOMER REFERENCE ONLY.	
TOLERANCES FOR MILLIMETERS ARE:	TOLERANCES FOR INCHES ARE:		
0.5 - 30mm ± 0.20mm	0.5 - 30mm ± 0.007"		
8 - 30mm ± 0.40mm	8 - 30mm ± 0.015"		
30 - 120mm ± 0.50mm	30 - 120mm ± 0.020"		
UNLESS OTHERWISE SPECIFIED, DIMENSIONS FOR INCHES ARE:		UNLESS OTHERWISE SPECIFIED, DIMENSIONS FOR MILLIMETERS ARE:	
0.20 - .315 = ± 0.007"	.020 - .315 = ± 0.007"		
.315 - 1.180 = ± 0.015"	.315 - 1.180 = ± 0.015"		
1.180 - 4.724 = ± 0.020"	1.180 - 4.724 = ± 0.020"		

APPROVALS	DATE	
DRAWN G.R.S.	05/25/04	
CHECKED		
ISSUED		
SHEET 1 OF 1		
CAD FILE		
C:/142/142249-75.DWG		
DWG. NO.	REV.	SIZE
142249-75	A	A
		SCALE
		NA

Amphenol Connex

PART DESCRIPTION
MINI 75 OHM SMB BULKHEAD
JACK TO JACK ADAPTER

PART NO.
142249-75