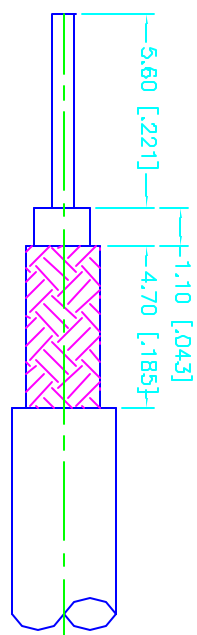
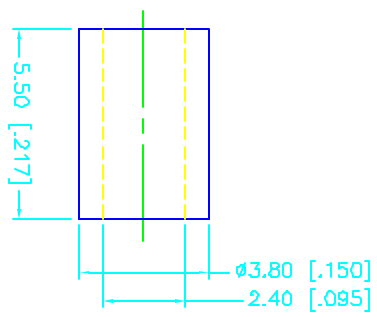
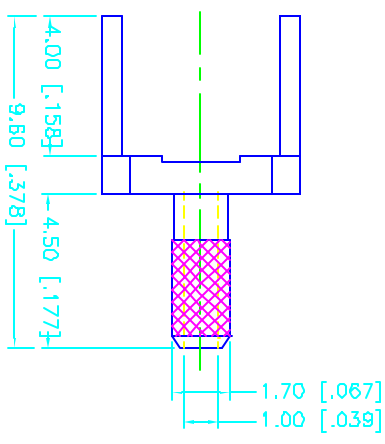
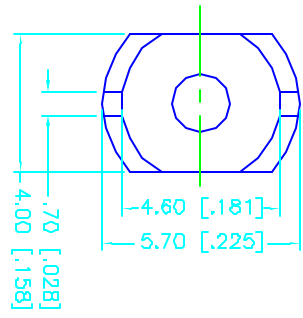
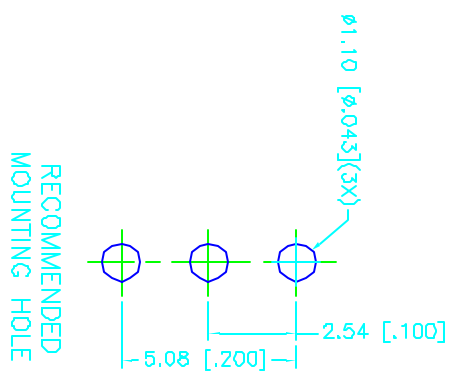


REV.	DATE	DESCRIPTION
NC	02/20/00	INITIAL RELEASE



RECOMMENDED
CABLE STRIPPING DIMS



CRIMP NOTES:
1. CRIMPED FERRULE
HEX CRIMP SIZE .128"

DESCRIPTION	MATERIAL	FINISH	UNLESS OTHERWISE SPECIFIED DIMENSIONS IN [] ARE IN MILLIMETERS FOR CUSTOMER REFERENCE ONLY	APPROVALS	DATE	TITLE			
1 BODY	BRASS	GOLD	UNLESS OTHERWISE SPECIFIED DIMENSIONS IN [] ARE IN INCHES FOR CUSTOMER REFERENCE ONLY UNLESS OTHERWISE SPECIFIED TOLERANCES FOR MILLIMETERS ARE: 0.5-6 = ± 0.2 6-30 = ± 0.4 30-120 = ± 0.6 120-315 = ± 1 315-1000 = ± 1.6 1000-2000 = ± 2.4	DRAWN	G.R.S.	02/20/00	comnex Connector Corporation PCB MOUNT CABLE TERMINATION (FOR RG-178B/U, 196A/U CABLE)		
2 FERRULE	COPPER	GOLD		CHECKED					
3				ISSUED					
4									
5									
6									
7									
8									
DO NOT SCALE DRAWING				SCALE	NA	PART NO.	142261	SHEET	1 OF 1