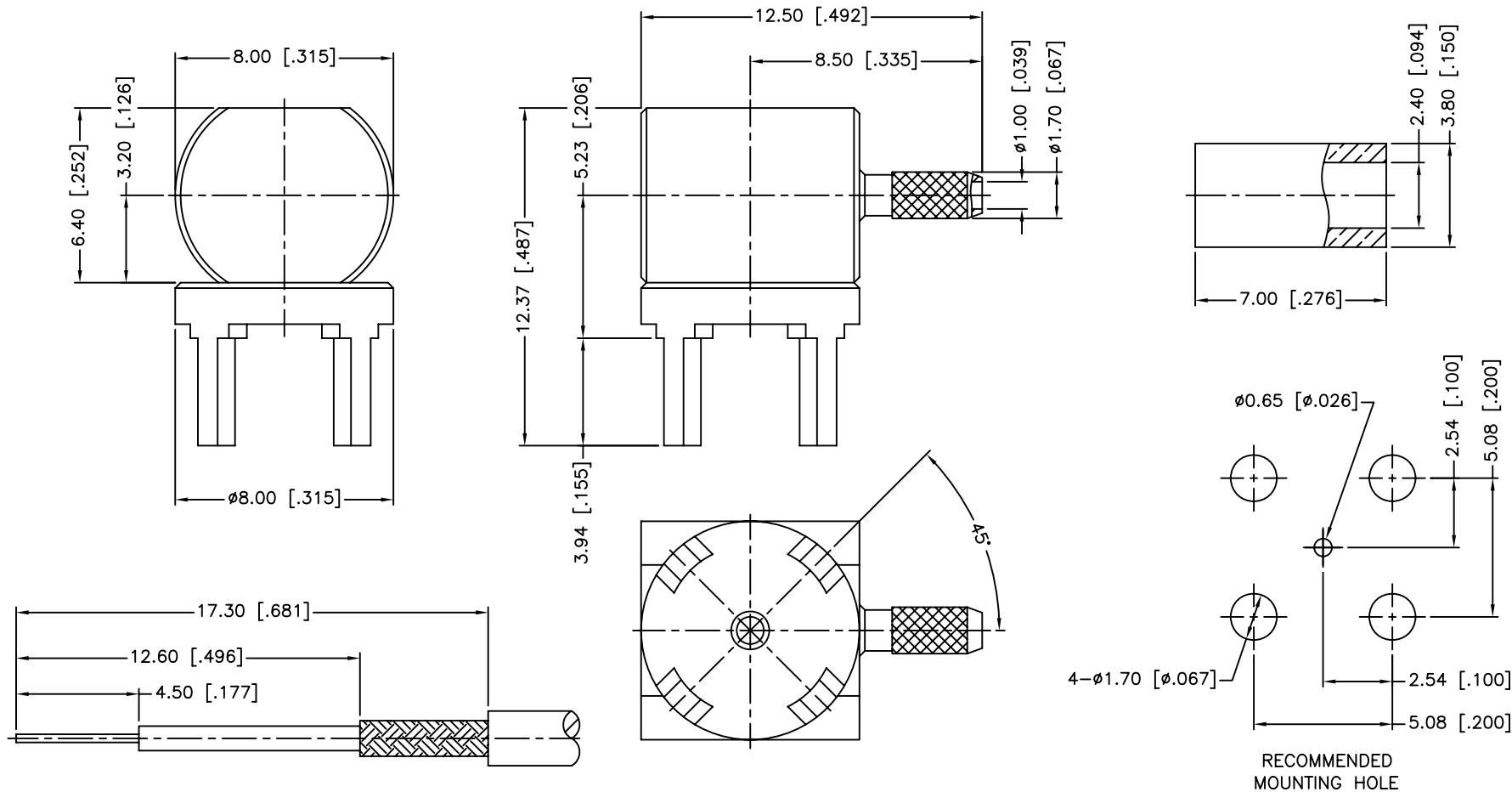


REV.	DATE	ECR NO.	DESCRIPTION
NC	01/04/00	XXXXXX	INITIAL RELEASE
A	04/06/06	XXXXXX	UPDATE DRAWING FORMAT
B	07/02/13	XXXXXX	CHANGE FERRULE LENGTH



RECOMMENDED
CABLE STRIPPING DIM'S

RECOMMENDED
MOUNTING HOLE

1. CRIMPED FERRULE
HEX CRIMP SIZE .128"

3	FERRULE	COPPER	GOLD	1
2	BODY	BRASS	GOLD	1
1	BARREL	BRASS	GOLD	1
DESCRIPTION	MATERIAL	FINISH	QTY	

UNLESS OTHERWISE SPECIFIED DIMENSIONS ARE IN MILLIMETERS. DIMENSIONS IN [] ARE IN INCHES AND FOR CUSTOMER REFERENCE ONLY.
UNLESS OTHERWISE SPECIFIED
TOLERANCES FOR MILLIMETERS ARE:
<0.5 ± 0.05mm
0.5 - 6mm ± 0.10mm
6 - 30mm ± 0.20mm
30 - 120mm ± 0.30mm
ANGLES ± 1°
UNLESS OTHERWISE SPECIFIED
TOLERANCES FOR INCHES ARE:
<.020 ± 0.002"
.020 - .236 ± 0.004"
.236 - 1.180 ± 0.007"
1.180 - 4.724 ± 0.012"
ANGLES ± 1°
DO NOT SCALE DRAWING

APPROVALS	DATE
DRAWN M.ZHANG	07/02/13
CHECKED	
ISSUED	
SHEET 1 OF 1	
CAD FILE	C:/CONNEX/142270.DWG

Amphenol Connex			
PART DESCRIPTION R/A PCB CABLE TERMINAL (FOR RG-178B/U, 196A/U)			
PART NO. 142270			
DWG. NO.	142270.DWG	REV.	B
SIZE	A	SCALE	NA