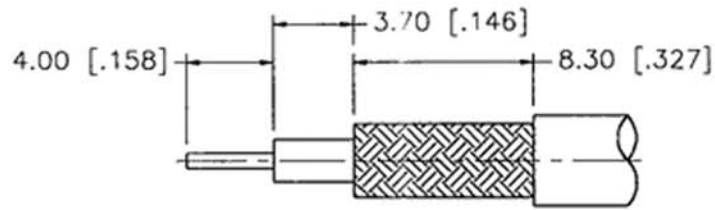
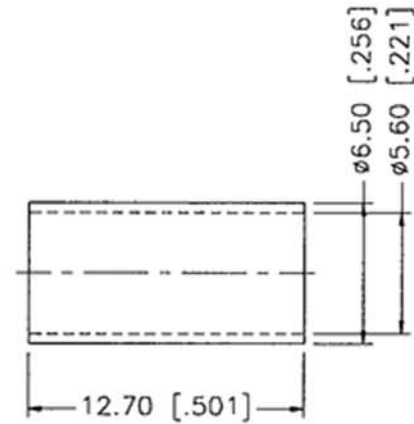
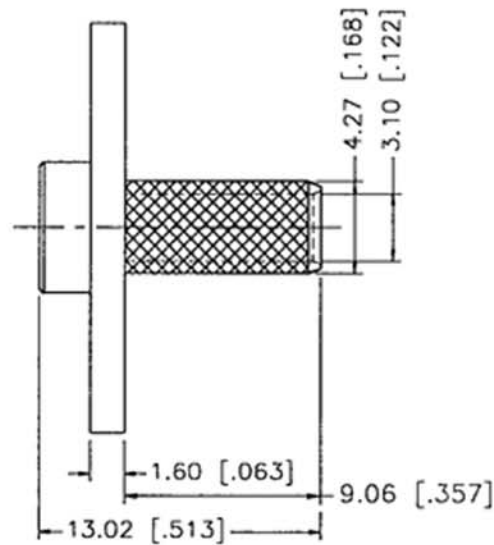
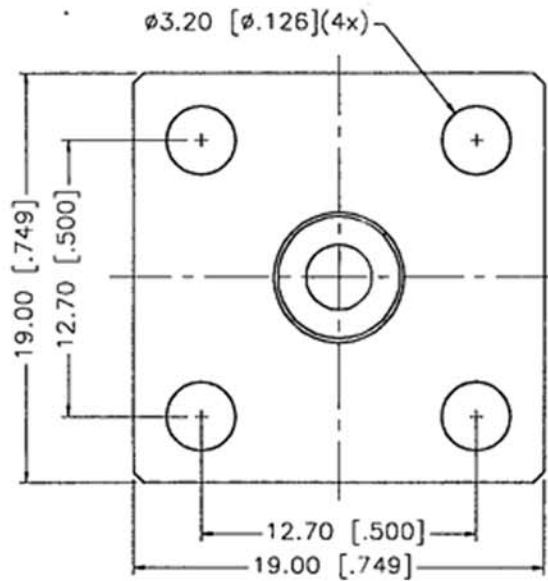



REV.	DATE	DESCRIPTION
NC	12/19/99	INITIAL RELEASE



RECOMMENDED
CABLE STRIPPING DIMS.



8				UNLESS OTHERWISE SPECIFIED DIMENSIONS ARE IN MILLIMETERS	APPROVALS	DATE	 Connex Connector Corporation			
7			DIMENSIONS IN [] ARE IN INCHES FOR CUSTOMER REFERENCE ONLY	DRAWN	G.R.S.	12/19/99				
6				CHECKED						
5				ISSUED						
4				UNLESS OTHERWISE SPECIFIED TOLERANCES FOR MILLIMETERS ARE: 0.5-6 = ± 0.2 6-30 = ± 0.4 30-120 = ± 0.6 120-315 = ± 1 315-1000 = ± 1.6 1000-2000 = ± 2.4	TITLE			4 HOLE FLANGE MOUNT TERMINATION (FOR RG-223/142/400 CABLE)		
3	FERRULE	BRASS	NICKEL		SIZE	FSCM NO.	DWG. NO.	REV.		
2	FLANGE	BRASS	NICKEL		A	99001	142278.DWG	NC		
1	BODY	BRASS	NICKEL		SCALE	PART NO.	SHEET	1 OF 1		
	DESCRIPTION	MATERIAL	FINISH	DO NOT SCALE DRAWING	NA	142278	142278			