

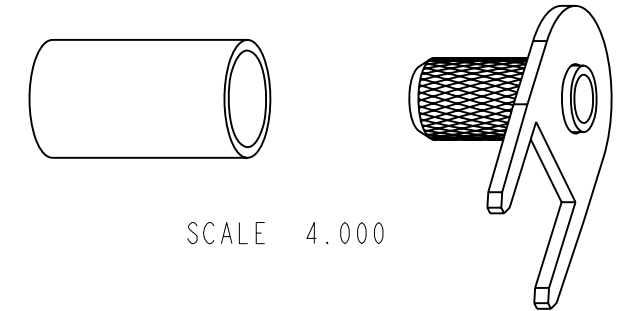
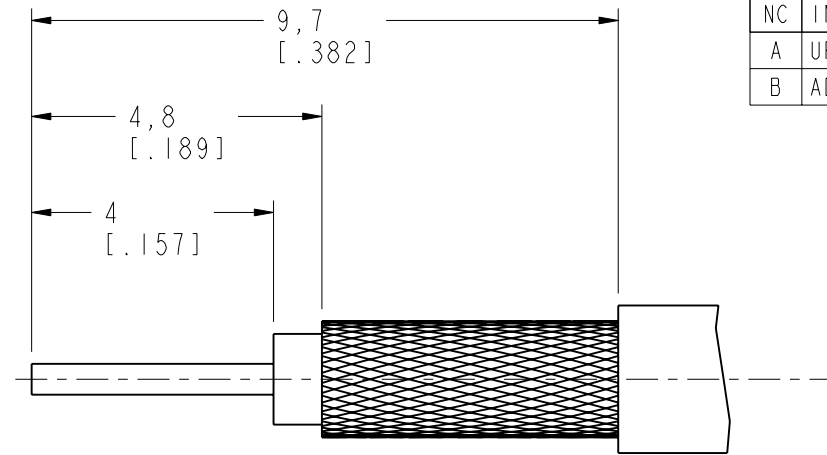
NOTES:

- MATERIALS AND FINISHES:
 BARREL - BRASS, BRIGHT TIN
 FERRULE - BRASS, NICKEL PLATING
 PANEL - BRASS, BRIGHT TIN
- CRIMPED FERRULE
 HEX CRIMP SIZE .128"

THIRD ANGLE PROJ.

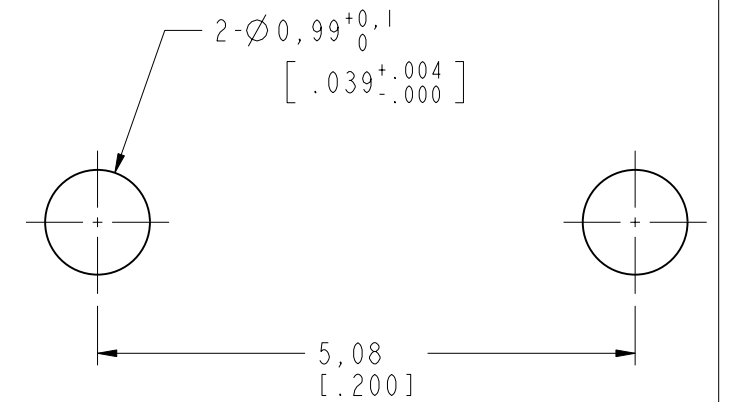
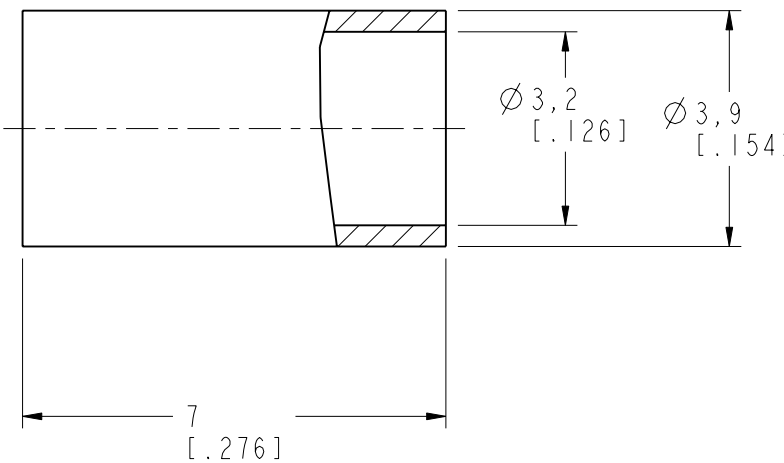
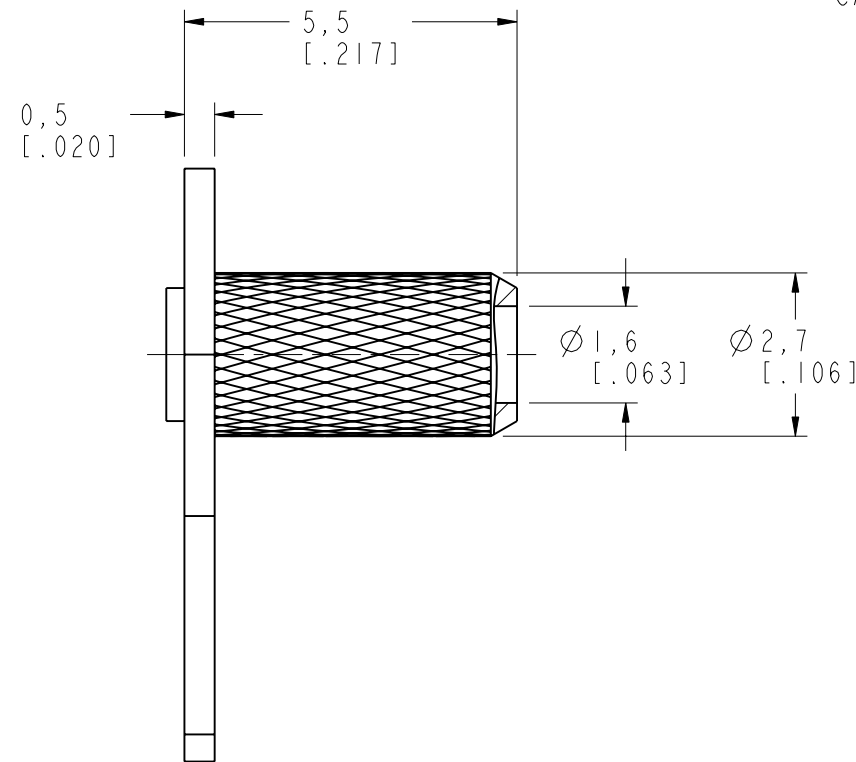
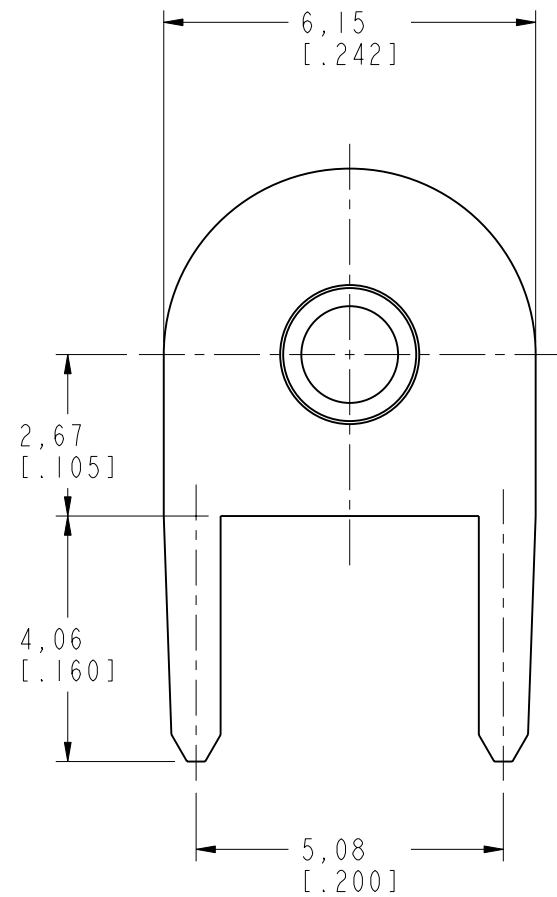
REVISIONS

REV	DESCRIPTION	DATE	ECO	APPR
NC	INITIAL RELEASE	02-May-00	-----	GRS
A	UPDATE DRAWING FORMAT	30-Apr-08	100014	GRS
B	ADD RECOMMENDED STRIPPING DIM'S	13-Jun-14	-----	MZ



SCALE 4.000

RECOMMENDED
CABLE STRIPPING DIM'S



PCB MOUNTING HOLE

CUSTOMER OUTLINE DRAWING

ALL OTHER SHEETS ARE FOR INTERNAL USE ONLY

UNLESS OTHERWISE SPECIFIED, DIMENSIONS ARE IN METRIC AND TOLERANCES ARE:
 <0.5mm ±0.05mm 0.5 - 6mm ±0.1mm 6 - 30mm ±0.2mm 30 - 120mm ±0.3mm ANGLES ±1°

NOTICE - These drawings, specifications, or other data (1) are, and remain the property of Amphenol corp. (2) must be returned upon request; and (3) are confidential and not to be disclosed to any person other than those to whom they are given by Amphenol Corp. the furnishing of these drawings, specifications, or other data by Amphenol Corp., or to any other person to anyone for any purpose is not to be regarded by implication or otherwise in any manner licensing, granting rights to permitting such holder or any other person to manufacture, use or sell any product, process or design, patented or otherwise, that may in any way be related to or disclosed by said drawings, specifications, or other data.

MATERIAL	
REFERENCE	ARFA P/N: SK0644-NBT
CONFIGURATION LEVEL:	
FINISH	

DRAWN	M. ZHANG	DATE	13-Jun-14
ENGINEER	S. DUAN	DATE	13-Jun-14
APPROVED	S. HSIEH	DATE	13-Jun-14
CAD FILE			

TITLE		PCB COAXIAL TERMINATION (FOR RG-174, 188, 316/U CABLE)	
SCALE:	8.0:1.0	SHEET	1 OF 1
DWG SIZE	B	REV	B

Amphenol Connex	
DRAWING NO.	
ITEM NO.	
PART NO.	142293