

Features

- 24VDC
- Produces 99 dBa @ 10' (109 dBa @1m)
- Cast aluminum housing
- Duty cycle 5 min. on - 5 min.. off
- UL and cUL listed for Class I, Division 1, Groups C & D; Class II, Division 1, Groups E, F, and G; and Class III
- CSFM Approved
- CSA Certified



Description

The Federal Signal Model FHEX Explosion-Proof Vibrating Horn produces a loud and distinctive tone by the electromechanical vibration of a diaphragm. This horn is designed for use in alarm notification systems and is compatible with fire alarm and suppression supervised control panels and power boosters.

The Model FHEX operates on 24VDC and produces a very loud 99 dBa @ 10' (109 dBa @ 1M). It is housed in a heavy duty, copper free cast aluminum housing tapped for 3/4" conduit. The housing is sealed with red powder coat paint and utilizes a stainless steel diaphragm for long life.

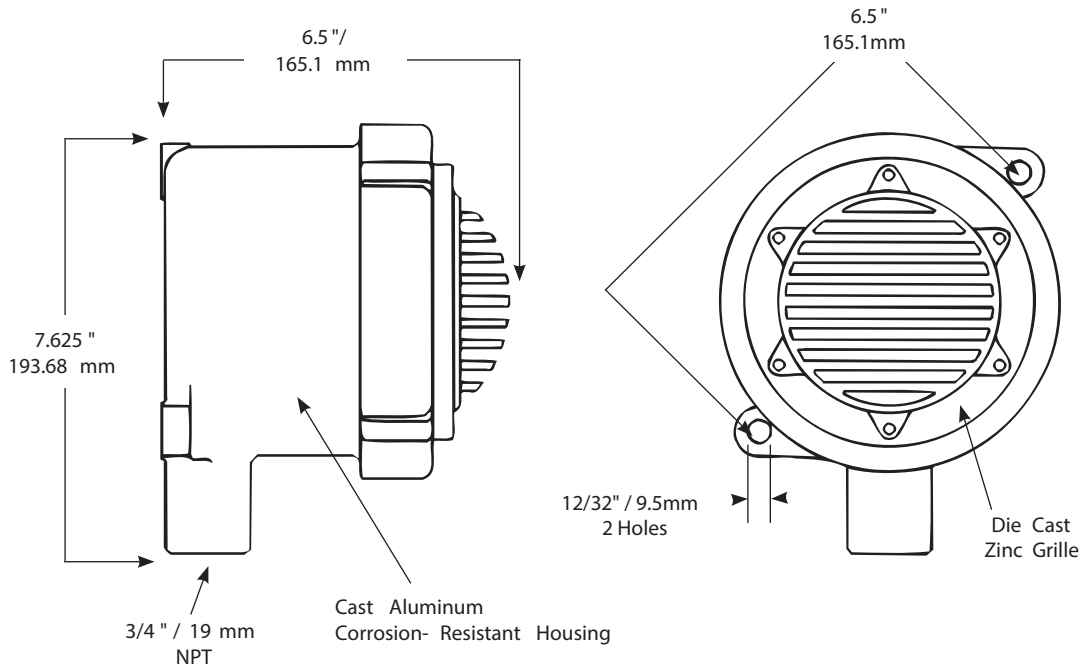
Technical Specifications

Operating Voltage	24VDC Polarized
Operating Current	1.20 amps
SPL Per UL 1480	10 feet: 99 dBa 1 meter: 109 dBA
Material	Copper free cast aluminum
Operating Temperature Range	-31°F to 150°F
Dimensions (HxLxW)	7.63" x 6.5" x 6.5"
Shipping Weight	10.3 lbs

Hazardous Location Rating: FHEX

T-Code at Maximum Ambient Temperature, °C

Hazardous Location	40°F
Class I, Division 1, Groups C & D	T6
Class II, Division 1, Groups E, F, & G	T6
Class III	T6



Ordering Information

Part Number	Ordering Part Number	Description
FHEX-24SMR	1430500	Explosion-proof Horn, 24VDC, Red

⚠ WARNING

- Installation must be performed by qualified personnel and in accordance with all national and local codes and ordinances.
- Shock hazard. Disconnect power source before servicing. Serious injury or death could result.
- Read all instructions carefully and understand them before starting installation. Save instructions for future use. Failure to read and understand instructions could result in improper operation of device resulting in serious injury or death.