

Features

- Approved for mounting in any matter including dome up
- Synchronize with SSM module
- Four lens covers: Amber, blue, clear and red
- 10,000 hour strobe tube
- 3/4” NPT pendant, ceiling and wall mount options available
- Dome guard optional
- Type 4X, IP66, IPK69 enclosure
- Marine rated



Description

The Federal Signal Model FSEX explosion-proof strobe light produces 80 high-intensity flashes per minute. This warning light operates on 24VDC and is unique to the market because it covers an entire range of possible mounting configurations – including dome up. This light is designed for use in alarm notification systems and is compatible with fire alarm and suppression supervised control panels and power boosters.

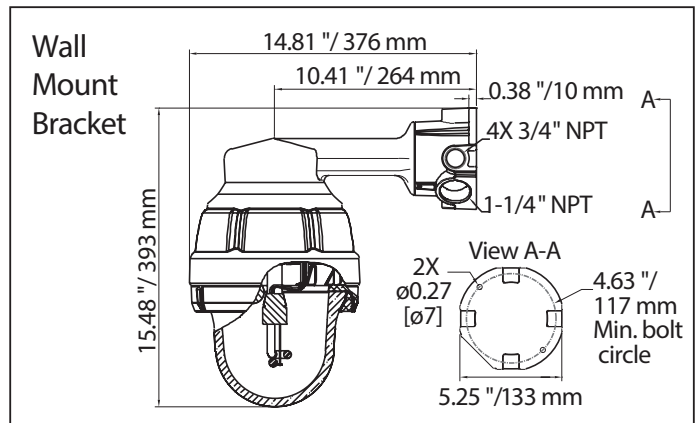
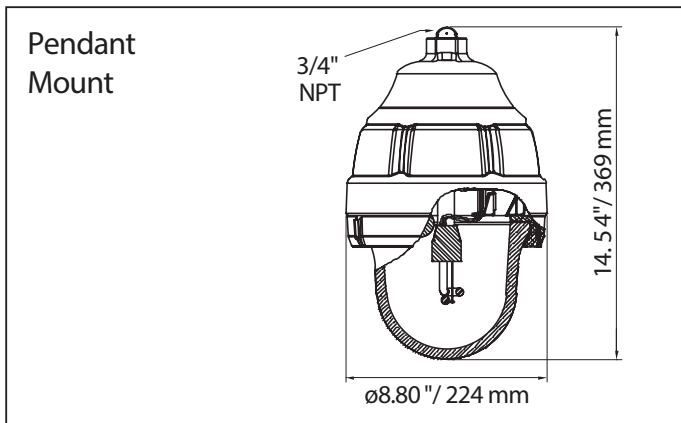
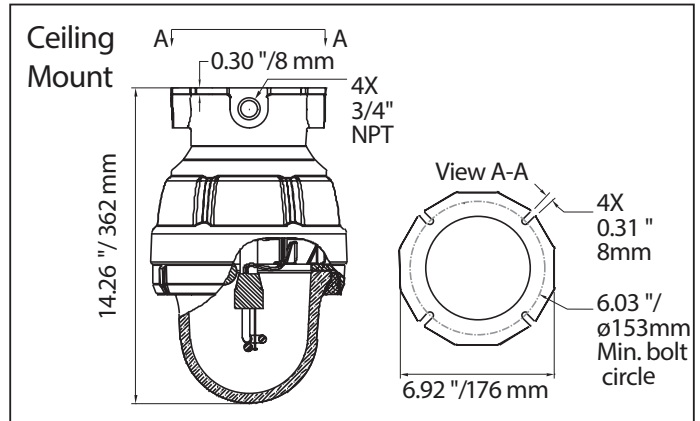
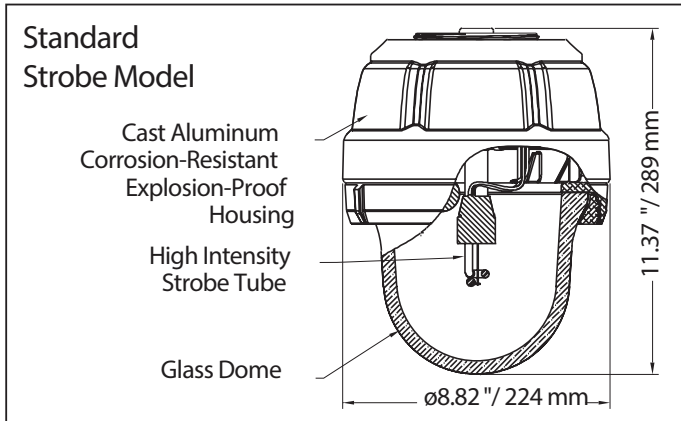
The 24VDC FSEX features a voltage in-rush limiting PCB design that provides greater compatibility with factory automation control systems and less electrical interference with in-rush sensitive devices.

The Model FSEX is specifically designed for explosion-proof atmospheres and/or corrosive environments. Because it is easy to install and requires very low maintenance, it is ideal for use in areas such as oil rigs, mines, refineries, and chemical plants

Technical Specifications

Operating Voltage	24 VDC polarized
Operating Current	1.90 amps (3.0 amps in-rush)
Flash Rate Per Minute	80
Measured ECP Candela*	850
Lamp Life	10,000 hours
Light Source	Strobe tube
Material	Cast Aluminum
Operating Temperature Range	-67°F to 150°F
Weight	Without mounting: 13.9 lbs Ceiling mount: 4.5 lbs Pendant mount: 2.0 lbs Wall mount: 5.9 lbs

*Note: Measured with clear lens. Effective Candle Power (ECP) should be used when comparing Xenon strobe devices. Calculated effective and peak candela should not be used where effectiveness is concerned.



Hazardous Locations		
Class	Group	Division
I	A, B	2
I	C, D	1 & 2
II	E, F, G	1 & 2
III		1 & 2

⚠ WARNING

- Installation must be performed by qualified personnel and in accordance with all national and local codes and ordinances.
- Shock hazard. Disconnect power source before servicing. Serious injury or death could result.
- Read all instructions carefully and understand them before starting installation. Save instructions for future use. Failure to read and understand instructions could result in improper operation of device resulting in serious injury or death.