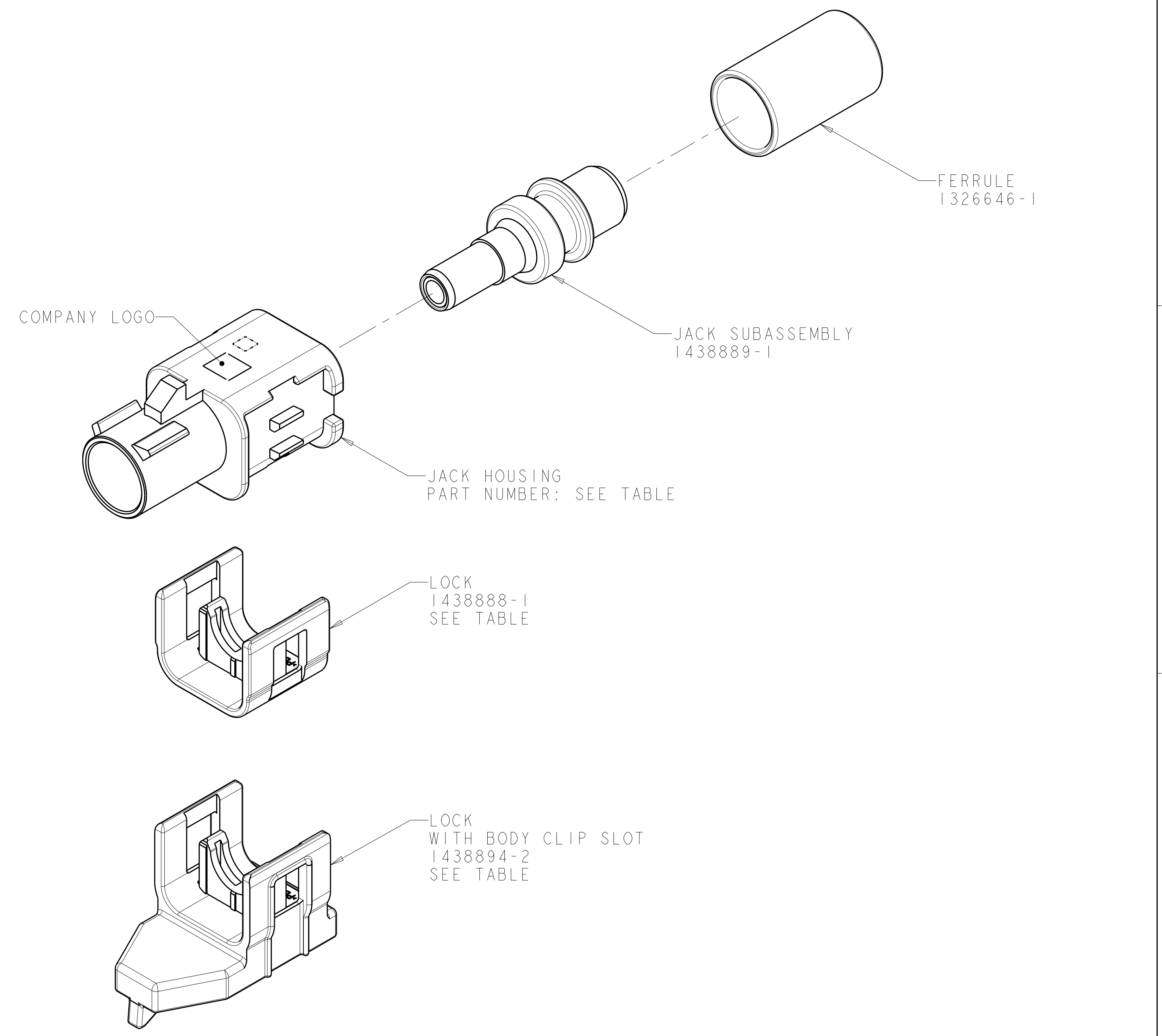
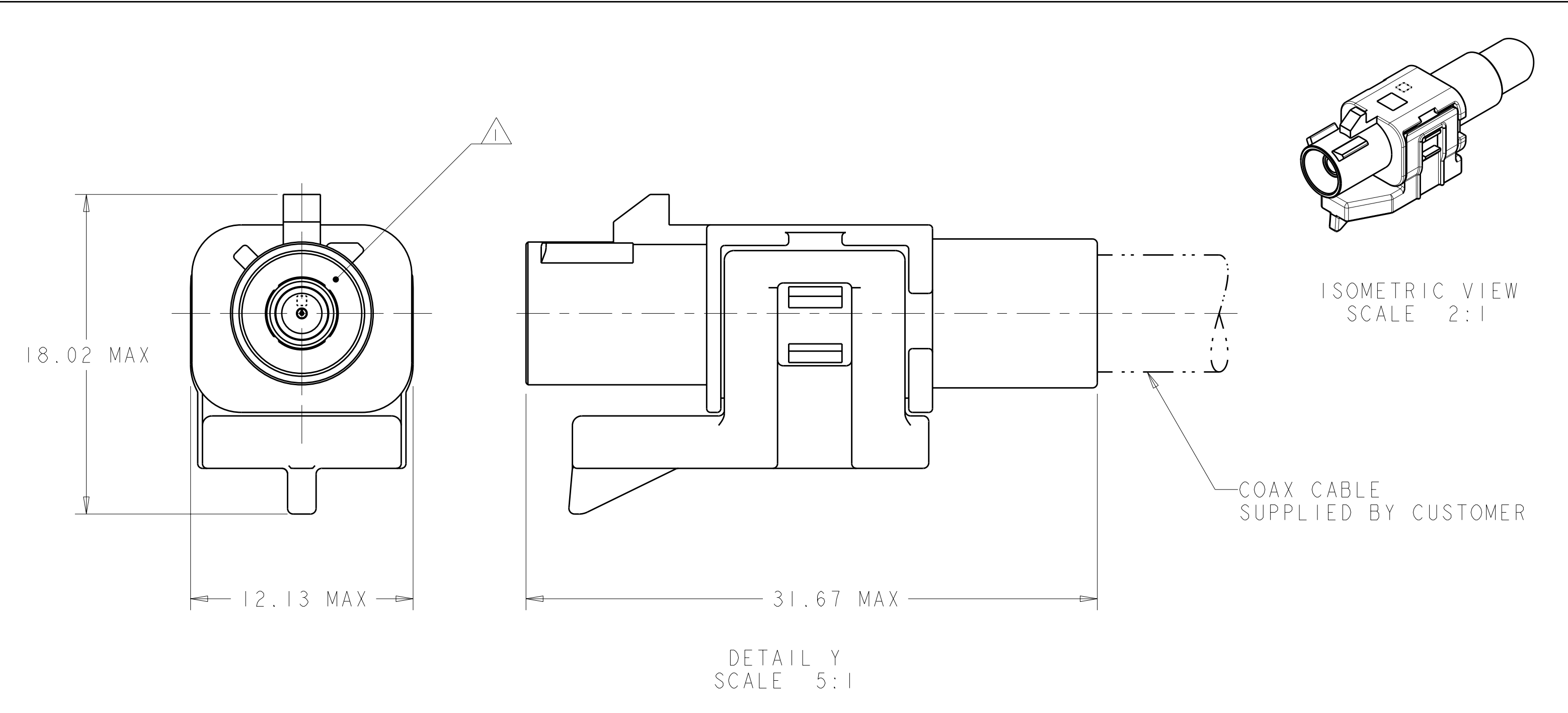
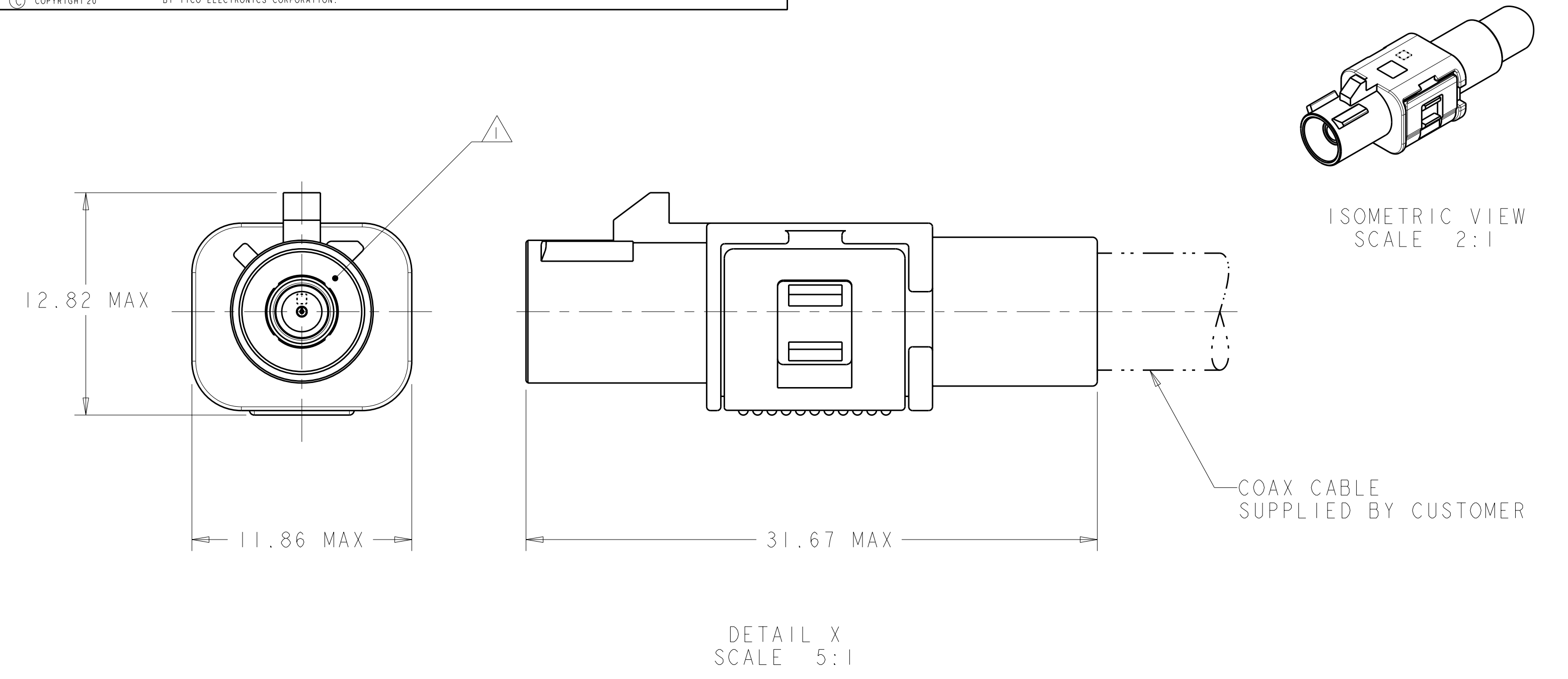
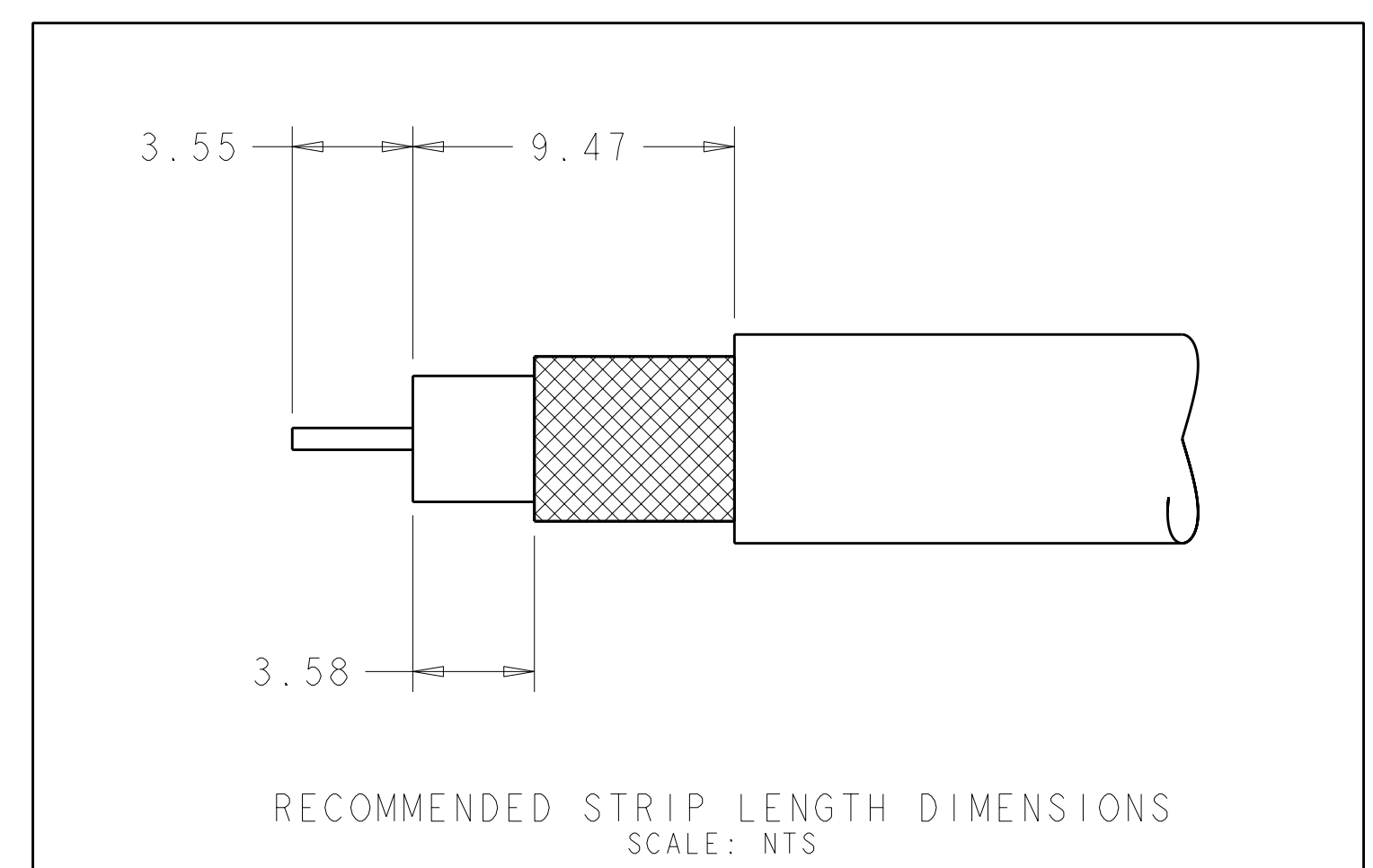


LOC	DIST	REV	DATE	BY	APPD
IN	00	E	05JUN2007	AH	LLV
		E1	30JUN2010	DLD	LLV



△ JACK INTERFACE PER DIN 72594-1, ROAD VEHICLES - RADIO FREQUENCY INTERFACE - DIMENSIONS AND ELECTRICAL REQUIREMENTS.

- JACK SUBASSEMBLY WILL ACCEPT RG-62 COAXIAL CABLE.
- SEE INSTRUCTION SHEET 408-10028.
- SPACER 1274233-2 MUST BE PURCHASED SEPERATELY.
- PIN CONTACT 1438890-8 MUST BE PURCHASED SEPERATELY.

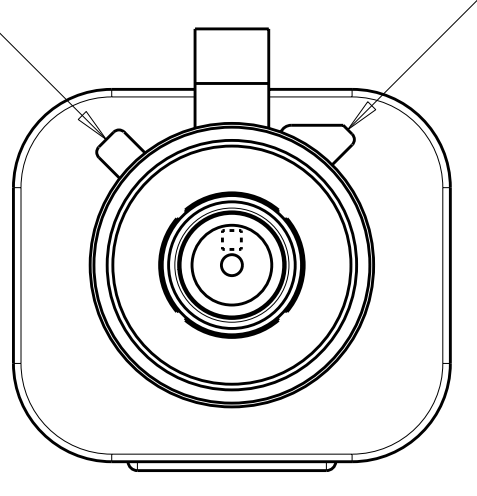


PER DETAIL	PER DETAIL	KEYING	CODING	LOCK COLOR	LOCK PART NUMBER	HOUSING COLOR	JACK HOUSING PART NUMBER	PART NUMBER
PER DETAIL Y	PER DETAIL K	K	GRAY	1438894-2	CURRY	1-1438887-0	6-1438891-0	
PER DETAIL Y	PER DETAIL H	H	GRAY	1438894-2	HEATHER VIOLET	1438887-8	5-1438891-8	
PER DETAIL Y	PER DETAIL D	D	GRAY	1438894-2	CLARET VIOLET	1438887-4	5-1438891-4	
PER DETAIL Y	PER DETAIL C	C	GRAY	1438894-2	SIGNAL BLUE	1438887-3	5-1438891-3	
PER DETAIL Y	PER DETAIL B	B	GRAY	1438894-2	SIGNAL WHITE	1438887-2	5-1438891-2	
PER DETAIL Y	PER DETAIL A	A	GRAY	1438894-2	JET BLACK	1438887-1	5-1438891-1	
PER DETAIL X	PER DETAIL K	K	RED	1438888-1	CURRY	1-1438887-0	1-1438891-0	
PER DETAIL X	PER DETAIL H	H	RED	1438888-1	HEATHER VIOLET	1438887-8	1438891-8	
PER DETAIL X	PER DETAIL D	D	RED	1438888-1	CLARET VIOLET	1438887-4	1438891-4	
PER DETAIL X	PER DETAIL C	C	RED	1438888-1	SIGNAL BLUE	1438887-3	1438891-3	
PER DETAIL X	PER DETAIL B	B	RED	1438888-1	SIGNAL WHITE	1438887-2	1438891-2	
PER DETAIL X	PER DETAIL A	A	RED	1438888-1	JET BLACK	1438887-1	1438891-1	

DIMENSIONS: mm 	TOLERANCES UNLESS OTHERWISE SPECIFIED: 9 PLC ± 1 PLC ±0.25 5 PLC ± 4 PLC ± ANGLES ± FINISH	DWN: D.J. HARDY 03JAN2005 CHK: J.W. HALL 13JAN2005 APVD: J.W. HALL 13JAN2005	Tyco Electronics Harrisburg, PA 17105-3608
MATERIAL: -	FINISH: -	NAME: JACK KIT, UNASSEMBLED, 1 POSITION, RG-62, 180 DEGREE, FAKRA, SMB SIZE: 114-13157 WEIGHT: - CUSTOMER DRAWING	RESTRICTED TO: - SCALE: 4:1 SHEET 1 OF 2 REV: E1

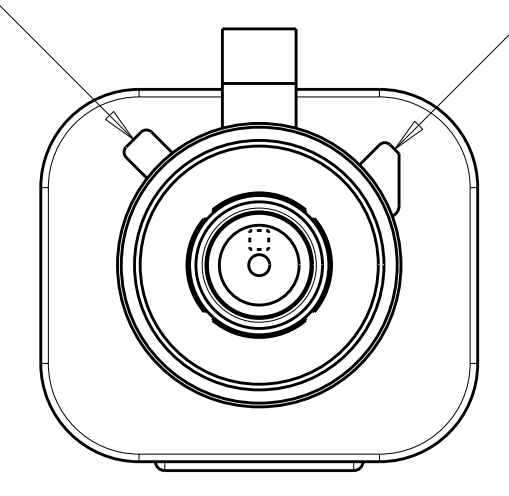
LOC		DIST		REVISIONS			
P	LTB	DESCRIPTION	DATE	DWN	APVD		
-	-	SEE SHEET 1	-	-	-		

CODING RIB A CODING RIB B1



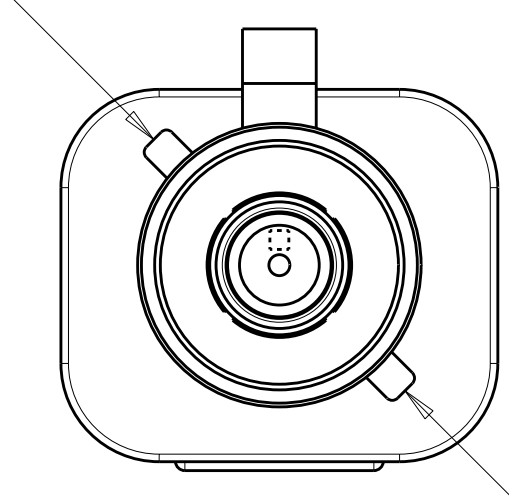
DETAIL A
SCALE 5:1

CODING RIB A CODING RIB B2



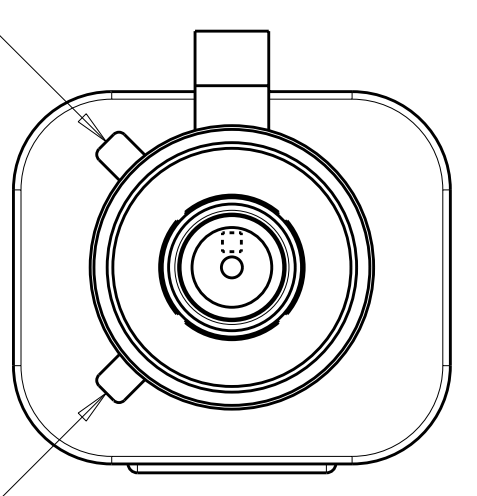
DETAIL B
SCALE 5:1

CODING RIB A CODING RIB C



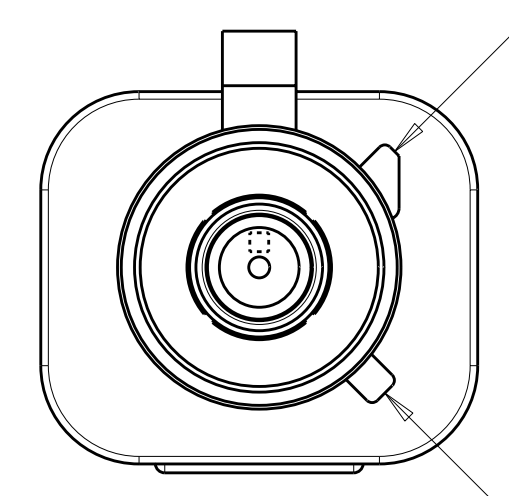
DETAIL C
SCALE 5:1

CODING RIB A



DETAIL D
SCALE 5:1

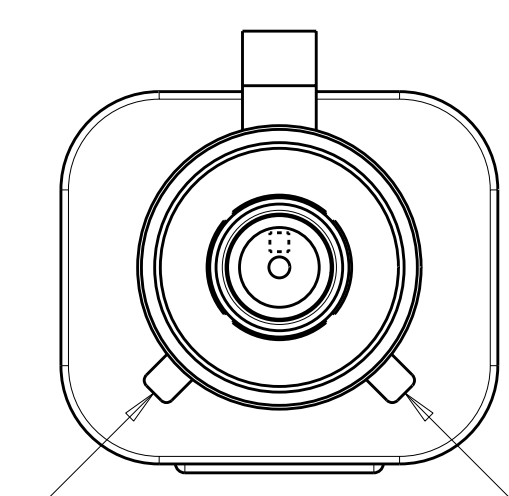
CODING RIB B2



DETAIL H
SCALE 5:1

CODING RIB D

CODING RIB D



DETAIL K
SCALE 5:1

<small>THIS DRAWING IS UNPUBLISHED. RELEASED FOR PUBLICATION 20 BY TYCO ELECTRONICS CORPORATION, ALL RIGHTS RESERVED.</small>		DWN: D.J. HARDY 03JAN2005 CHK: J.W. HALL 13JAN2005 APVD: J.W. HALL 13JAN2005	Tyco Electronics Harrisburg, PA 17105-3608
DIMENSIONS: mm 		TOLERANCES UNLESS OTHERWISE SPECIFIED: 9 PLC ± 1 PLC ± 2 PLC ±0.25 3 PLC ± 4 PLC ± ANGLES ±	NAME: JACK KIT, UNASSEMBLED, 1 POSITION, RG-62, 180 DEGREE, FAKRA, SMB SIZE: A CAGE CODE: 00779 DRAWING NO: 1438891 RESTRICTED TO:
MATERIAL: - FINISH: -		WEIGHT: - CUSTOMER DRAWING	SCALE: 5:1 SHEET: 2 OF 2 REV: E