

THIS DRAWING IS UNPUBLISHED.

RELEASED FOR PUBLICATION

20

© COPYRIGHT 20 BY -

ALL RIGHTS RESERVED.

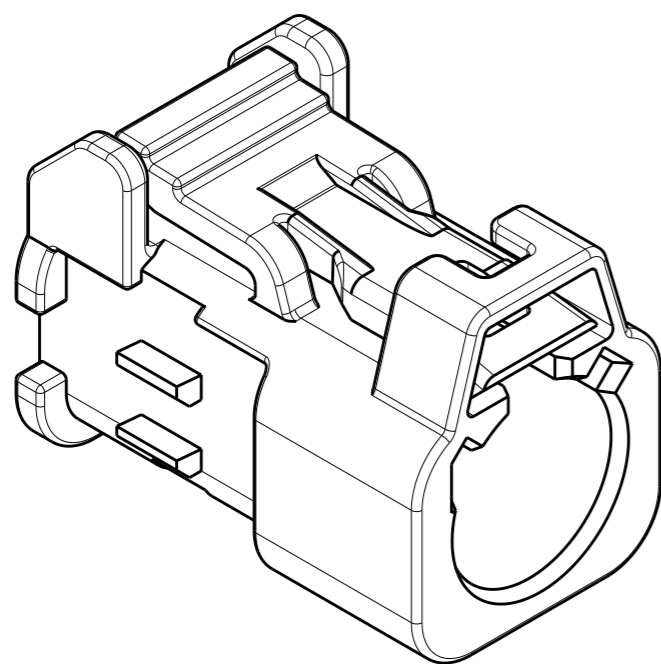
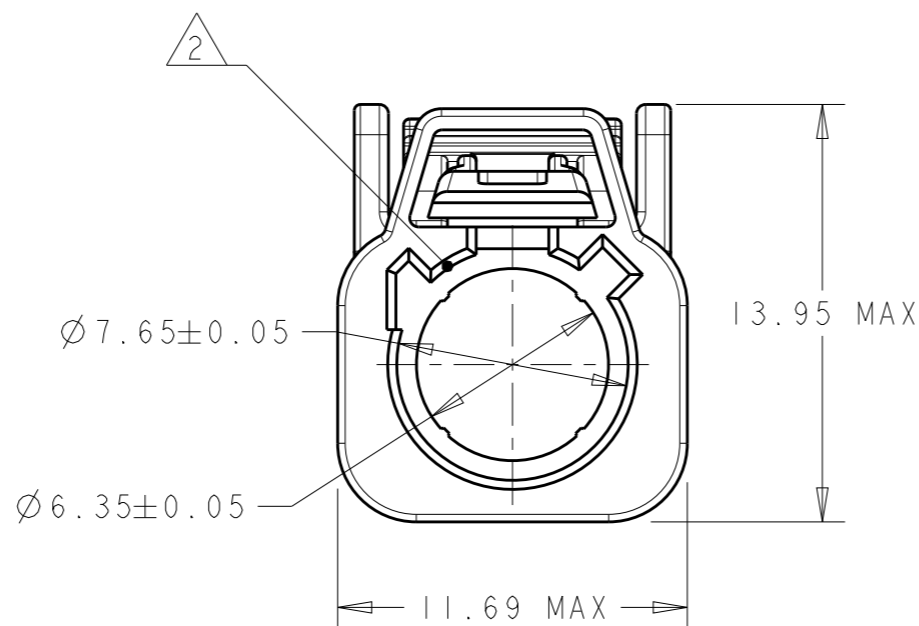
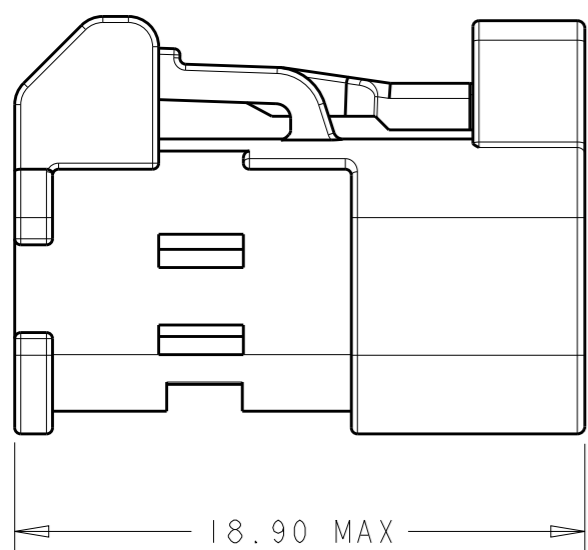
REVISIONS

P	LTR	DESCRIPTION	DATE	DWN	APVD
	D1	REVISED PER ECO-15-015026	19OCT2015	DD	LV
	D2	REVISED PER ECO-16-005357	06APR2016	DD	LV
	D3	ECO-20-011767	02SEP2020	KP	MB

1 POLYESTER PBT, COLOR: SEE TABLE.

2 PLUG HOUSING ACCEPTS JACK HOUSINGS MEETING DIN 72594-1, ROAD VEHICLES - RADIO FREQUENCY INTERFACE - DIMENSIONS AND ELECTRICAL REQUIREMENTS.

3. SEE INSTRUCTION SHEET 408-10028.



ISOMETRIC VIEW

PER DETAIL M	M	PASTEL ORANGE	1-1438893-2
PER DETAIL K	K	CURRY	1-1438893-0
PER DETAIL I	I	BEIGE	1438893-9
PER DETAIL H	H	HEATHER VIOLET	1438893-8
PER DETAIL G	G	BLUE GRAY	1438893-7
PER DETAIL F	F	NUT BROWN	1438893-6
PER DETAIL E	E	LEAF GREEN	1438893-5
PER DETAIL D	D	CLARET VIOLET	1438893-4
PER DETAIL C	C	SIGNAL BLUE	1438893-3
PER DETAIL B	B	SIGNAL WHITE	1438893-2
PER DETAIL A	A	JET BLACK	1438893-1
KEYING	CODING REF	HOUSING COLOR	PART NUMBER

THIS DRAWING IS A CONTROLLED DOCUMENT.

DWN 04JAN2006
D. J. HARDY
CHK 05JAN2006
J. W. HALL
APVD 05JAN2006
J. W. HALL



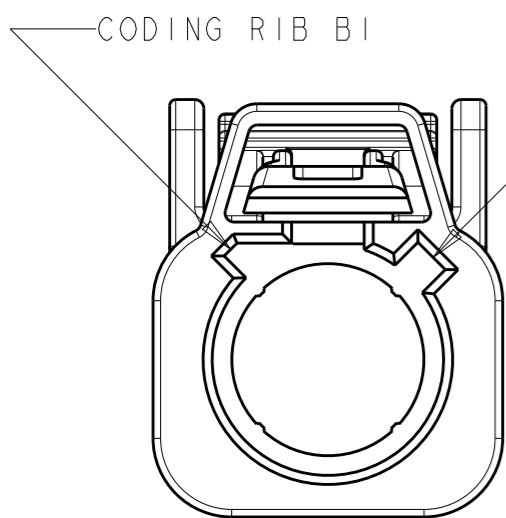
DIMENSIONS:	TOLERANCES UNLESS OTHERWISE SPECIFIED:
mm	
	0 PLC ±-
	1 PLC ±-
	2 PLC ±-
	3 PLC ±-
	4 PLC ±-
	ANGLES ±-
MATERIAL	FINISH
-	-
-	-

PRODUCT SPEC -
APPLICATION SPEC 114-13157
WEIGHT -
CUSTOMER DRAWING

NAME				RESTRICTED TO	
PLUG HOUSING, 1 POSITION, FAKRA, SMB					
SIZE	CAGE CODE	DRAWING NO			
A3	00779	1438893			
SCALE		SHEET		REV	
4:1		1 OF 3		D3	

REVISIONS

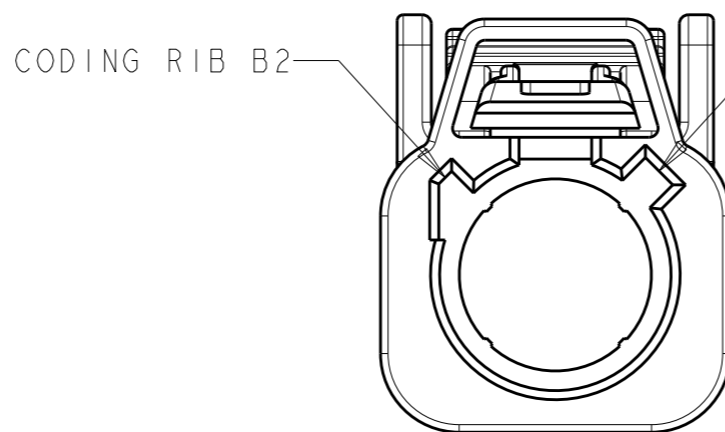
P	LTR	DESCRIPTION	DATE	DWN	APVD
-	-	SEE SHEET 1	-	-	-



CODING RIB B1

CODING RIB A

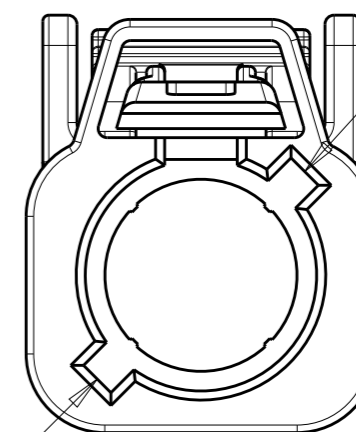
DETAIL A



CODING RIB B2

CODING RIB A

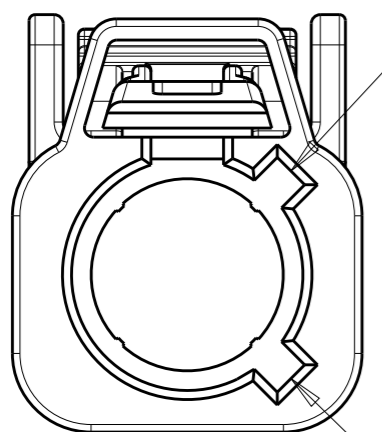
DETAIL B



CODING RIB A

CODING RIB C

DETAIL C

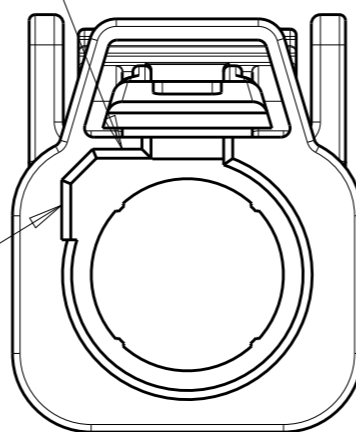


CODING RIB A

CODING RIB D

DETAIL D

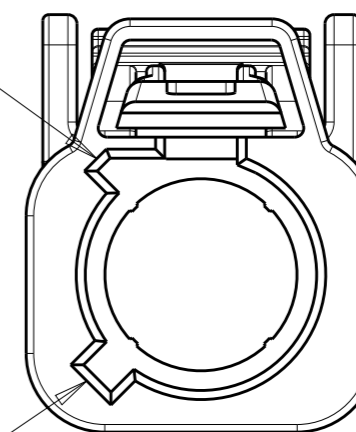
CODING RIB B1



CODING RIB B2

DETAIL E

CODING RIB B1



CODING RIB C

DETAIL F

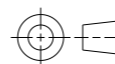
THIS DRAWING IS A CONTROLLED DOCUMENT.

DWN 04JAN2006
D. J. HARDY
CHK 05JAN2006
J. W. HALL
APVD 05JAN2006
J. W. HALL



DIMENSIONS:
mm

TOLERANCES UNLESS OTHERWISE SPECIFIED:



0 PLC ±
1 PLC ±
2 PLC ±
3 PLC ±
4 PLC ±
ANGLES ±

MATERIAL

FINISH

PRODUCT SPEC

APPLICATION SPEC

WEIGHT

NAME

PLUG HOUSING,
1 POSITION, FAKRA, SMB

SIZE

CAGE CODE

DRAWING NO

RESTRICTED TO

A3

00779

C-1438893

CUSTOMER DRAWING

SCALE 4:1

SHEET 2 OF 3

REV D3