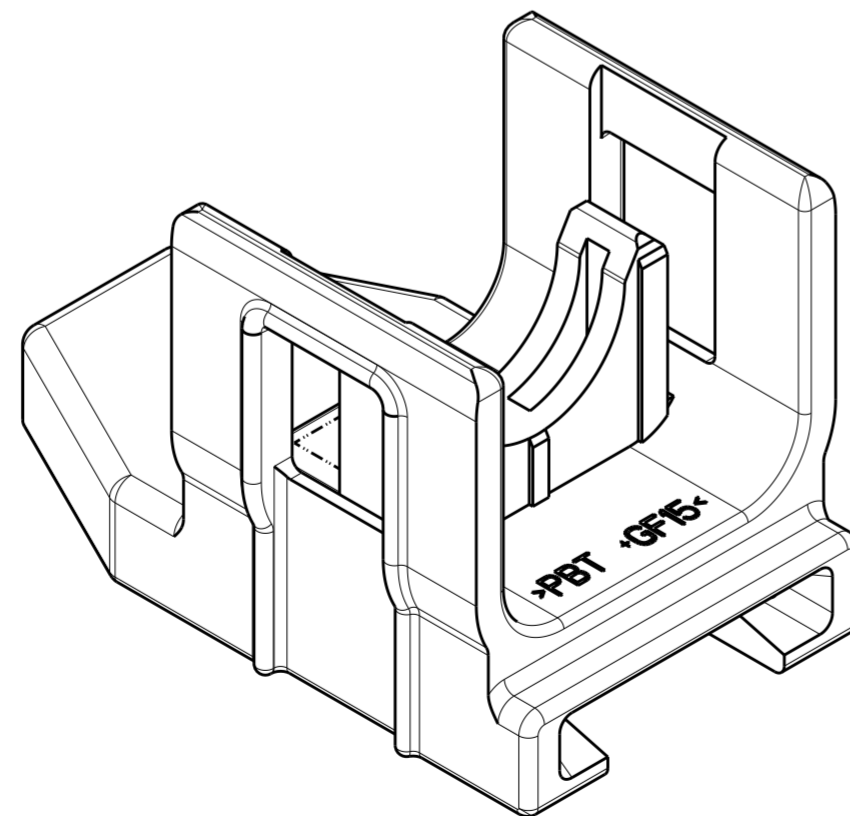
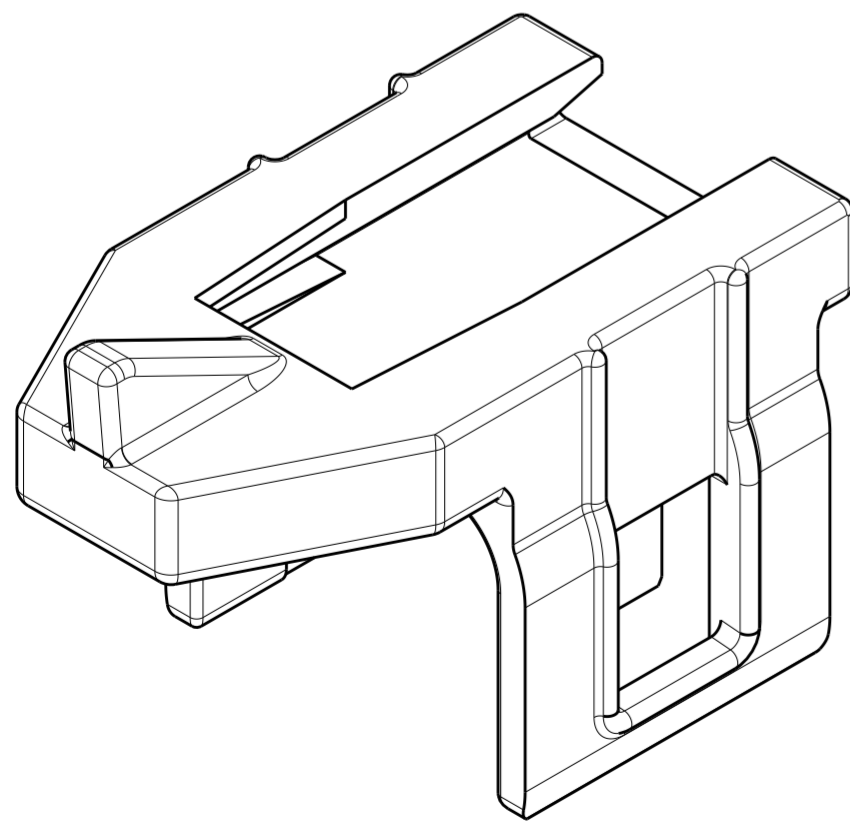
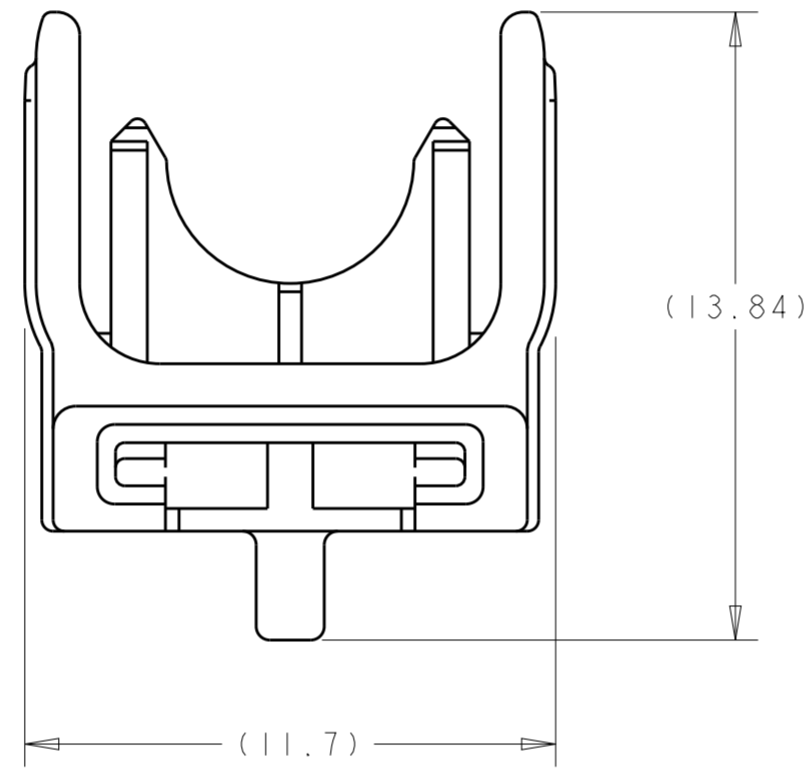
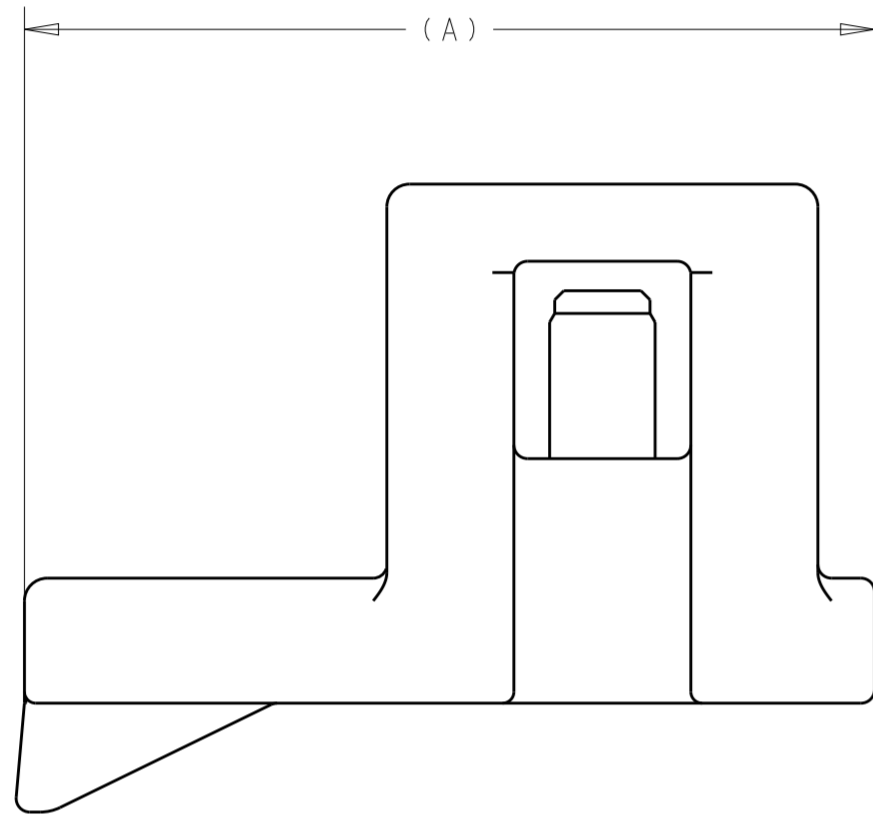


THIS DRAWING IS UNPUBLISHED. RELEASED FOR PUBLICATION 20
 © COPYRIGHT 20 BY - ALL RIGHTS RESERVED.

REVISIONS				
P	LTR	DESCRIPTION	DATE	APVD
	C1	ECO-15-003845	11MAR2015	KP LV

△ POLYESTER PBT, GRAY.


2. SEE INSTRUCTION SHEET 408-10028.



ISOMETRIC VIEW

	18.74	1438894-2
	19.95	1438894-1
	DIMENSION A	PART NUMBER

OBsolete

THIS DRAWING IS A CONTROLLED DOCUMENT.		DWN D. J. HARDY 05 JAN 2006	 TE Connectivity	
DIMENSIONS:		CHK J. W. HALL 05 JAN 2006		
mm	TOLERANCES UNLESS OTHERWISE SPECIFIED:	APVD J. W. HALL 05 JAN 2006	NAME LOCK, 1 POSITION, WITH BODY CLIP SLOT, FAKRA, SMB	
0 PLC	±	PRODUCT SPEC	SIZE CAGE CODE DRAWING NO	
1 PLC	±	APPLICATION SPEC	RESTRICTED TO	
2 PLC	±	114-13157	A200779 C-1438894	
3 PLC	±	WEIGHT	SCALE 6:1 SHEET OF REV C1	
4 PLC	±	CUSTOMER DRAWING		
ANGLES	±			
FINISH	-			
MATERIAL	TBD			