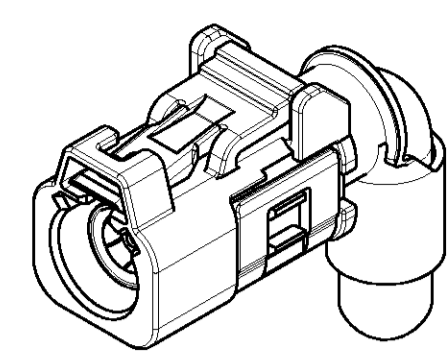
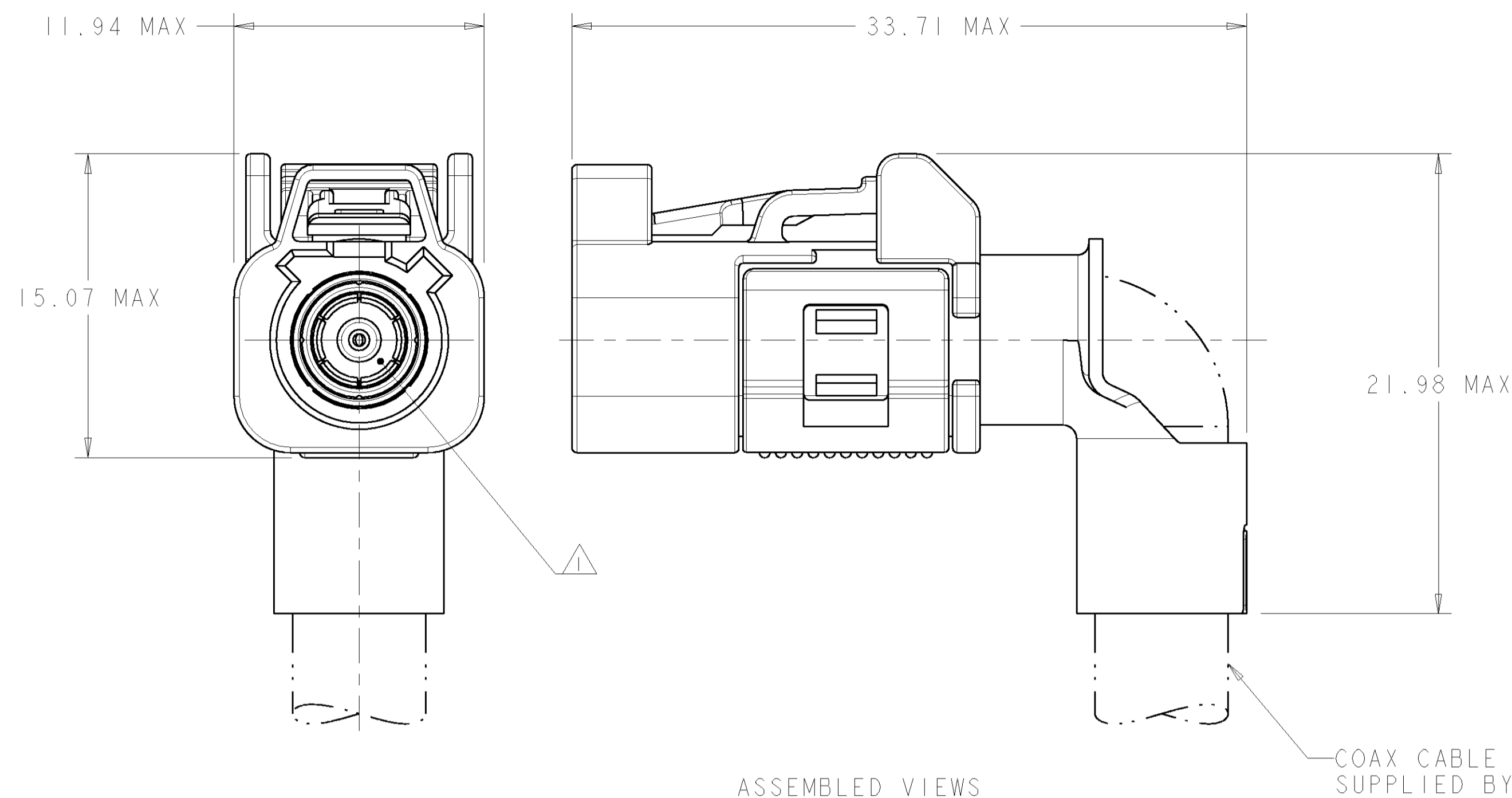
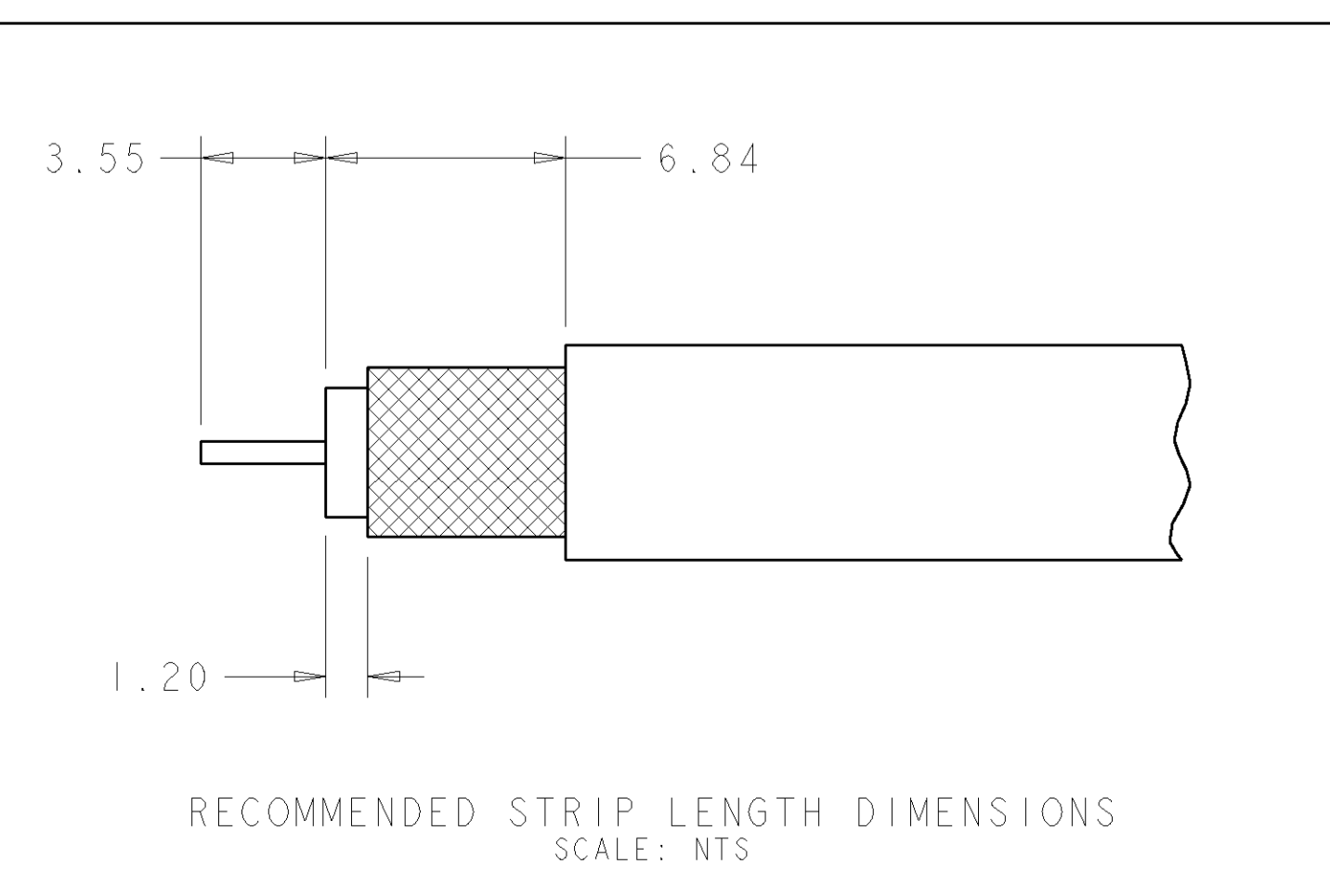
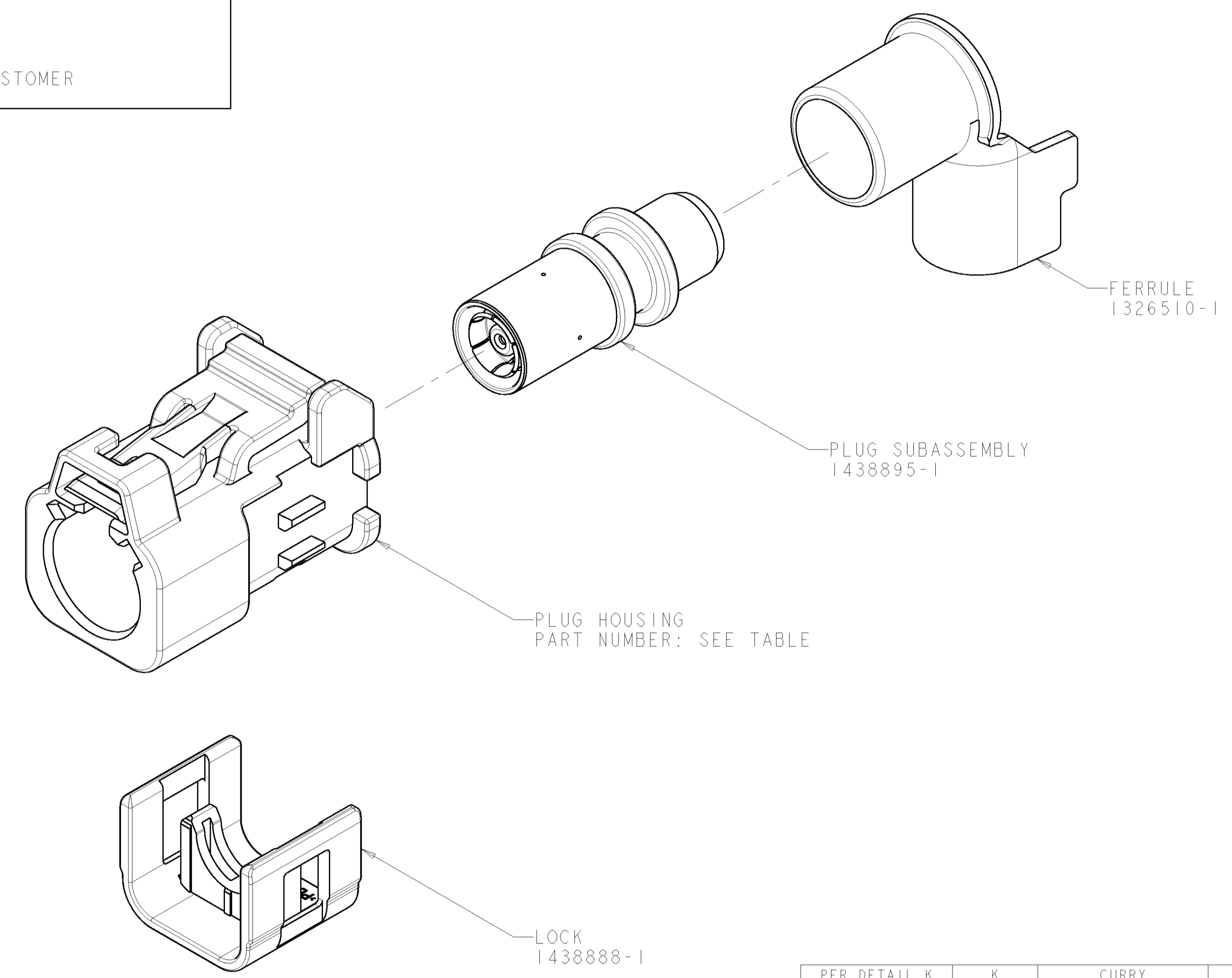


LOC	DIST	REVISIONS					
		P	LTR	DESCRIPTION	DATE	DWN	APVD
IN	00	A		RELEASED PER ECO-05-6684	29AUG2005	DJH	JMR
		B		REVISED PER ECO-05-15405	05DEC2005	DJH	JMR
		C		REVISED PER ECO-06-2101	13MAR2006	DJH	JMR



ISOMETRIC VIEW
SCALE 2:1

- ⚠ PLUG ACCEPTS JACKS MEETING DIN 72594-1, ROAD VEHICLES - RADIO FREQUENCY INTERFACE - DIMENSIONS AND ELECTRICAL REQUIREMENTS.
2. PLUG SUBASSEMBLY WILL ACCEPT RG-62 COAXIAL CABLE.
 3. SEE INSTRUCTION SHEET 408-10028.
 4. SPACER 1274233-2 MUST BE PURCHASED SEPERATELY.
 5. SOCKET CONTACT 1438896-4 MUST BE PURCHASED SEPERATELY.

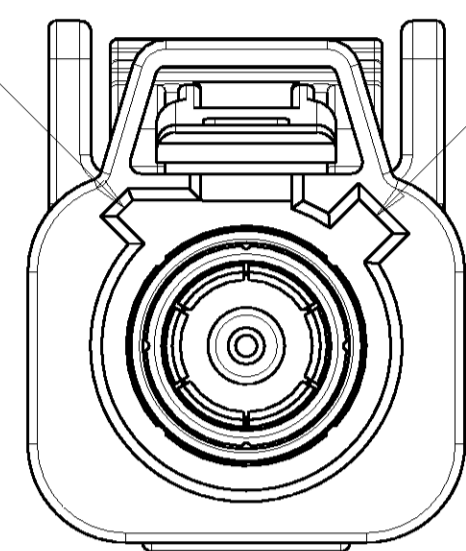


PER DETAIL	KEY	KEYING	HOUSING COLOR	PLUG HOUSING PART NUMBER	PART NUMBER
PER DETAIL K	K	CURRY		1-1438893-0	1-1438904-0
PER DETAIL H	H	HEATHER VIOLET		1438893-8	1438904-8
PER DETAIL D	D	CLARET VIOLET		1438893-4	1438904-4
PER DETAIL C	C	SIGNAL BLUE		1438893-3	1438904-3
PER DETAIL B	B	SIGNAL WHITE		1438893-2	1438904-2
PER DETAIL A	A	JET BLACK		1438893-1	1438904-1

DIMENSIONS:		TOLERANCES UNLESS OTHERWISE SPECIFIED:		DWN: D. J. HARDY 05JAN2005		APVD: J. W. HALL 17JAN2005		Tyco Electronics Harrisburg, PA 17105-3608	
mm	0 PLC ±	1 PLC ±	2 PLC ±0.25	3 PLC ±	4 PLC ±	ANGLES ±	FINISH	NAME: PLUG KIT, UNASSEMBLED, 1 POSITION, RG-62, 90 DEGREE, FAKRA, SMB PRODUCT SPEC: - APPLICATION SPEC: - SIZE: 114-13157 WEIGHT: - MATERIAL: -	RESTRICTED TO
CUSTOMER DRAWING								SCALE: 5:1	SHEET 1 OF 2
								REV: C	

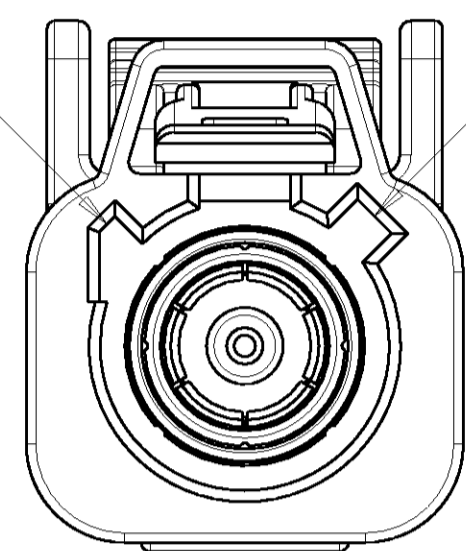
LOC		DIST		REVISIONS			
P	LTB	DESCRIPTION	DATE	DWN	APVD		
-	-	SEE SHEET 1	-	-	-		

CODING RIB B1 CODING RIB A



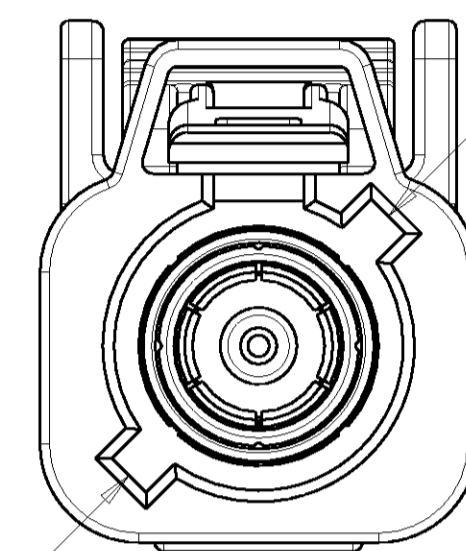
DETAIL A

CODING RIB B2 CODING RIB A



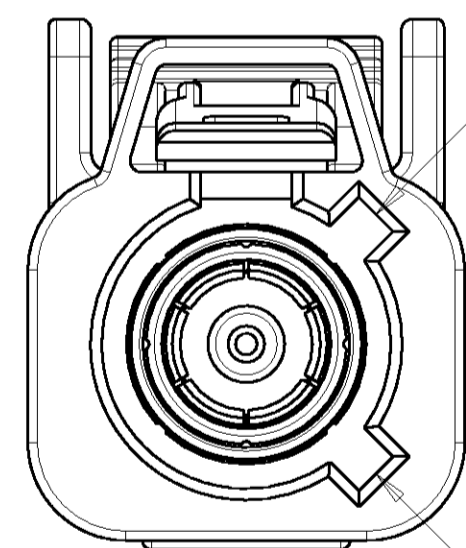
DETAIL B

CODING RIB A CODING RIB C



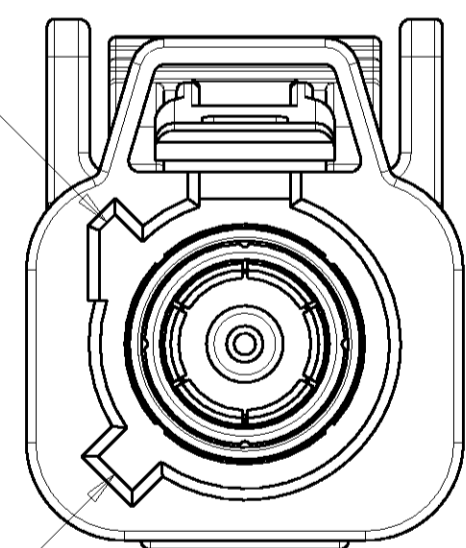
DETAIL C

CODING RIB A CODING RIB D



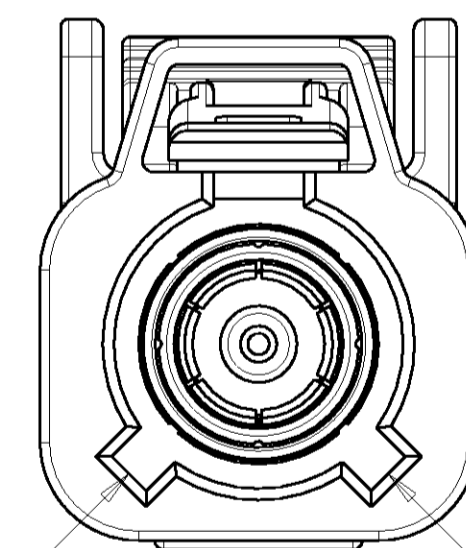
DETAIL D

CODING RIB B2 CODING RIB C



DETAIL H

CODING RIB C CODING RIB D



DETAIL K

DIMENSIONS:		TOLERANCES UNLESS OTHERWISE SPECIFIED:		DWN 05JAN2005		Tyco Electronics	
mm		0 PLC ±		D. J. HARDY		Tyco Electronics	
		1 PLC ±0.25		CHK 17JAN2005		Harrisburg, PA 17105-3608	
		3 PLC ±		APVD J. W. HALL		NAME PLUG KIT, UNASSEMBLED, 1 POSITION,	
		4 PLC ±		APVD 17JAN2005		RG-62, 90 DEGREE, FAKRA, SMB	
		FINISH		PRODUCT SPEC		SIZE CAGE CODE DRAWING NO RESTRICTED TO	
MATERIAL				APPLICATION SPEC		A 00779 C-1438904	
				WEIGHT		SCALE 5:1 SHEET 2 OF 2 REV C	
				CUSTOMER DRAWING			