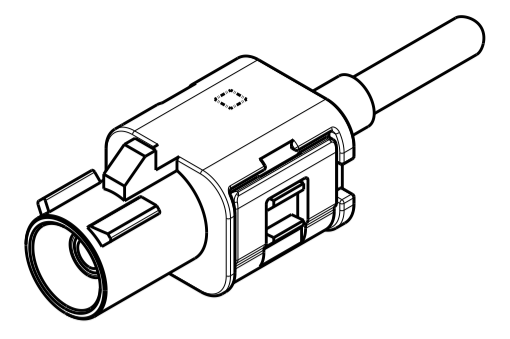
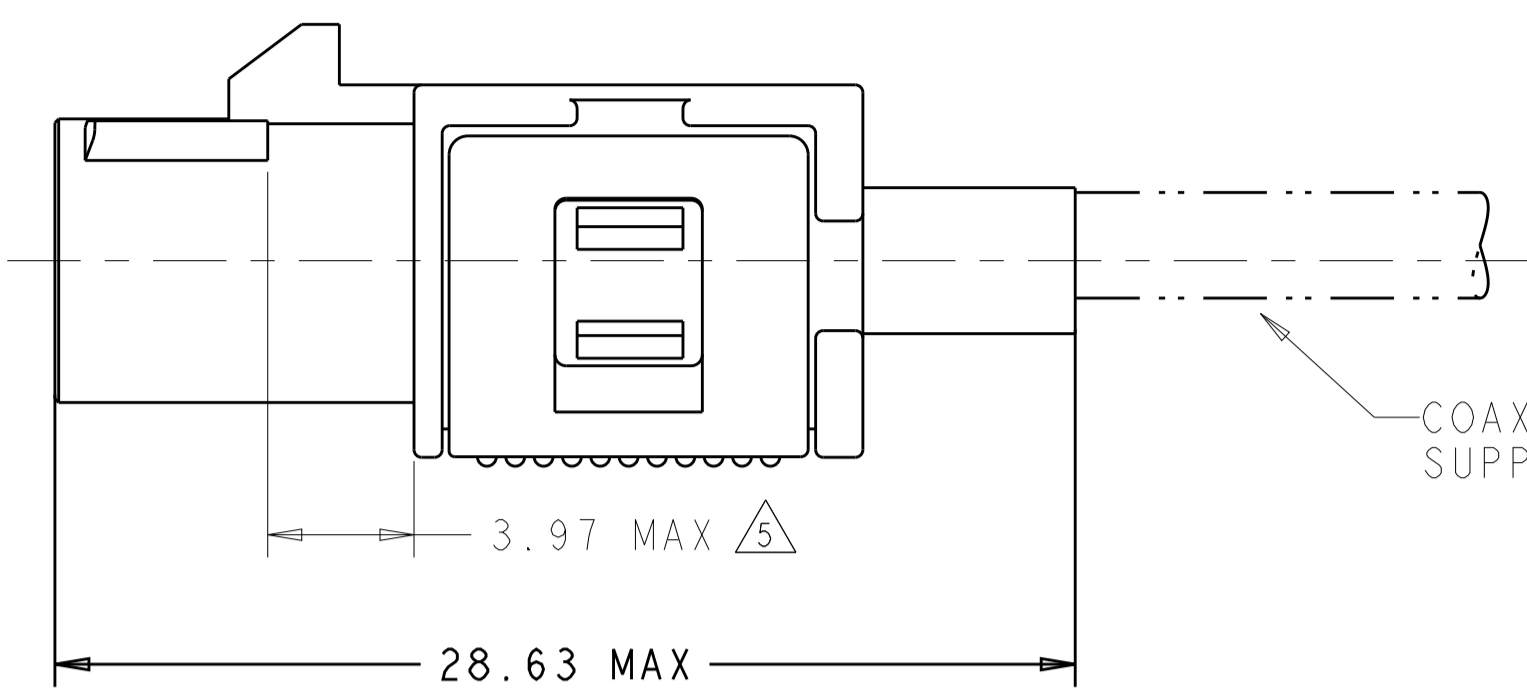
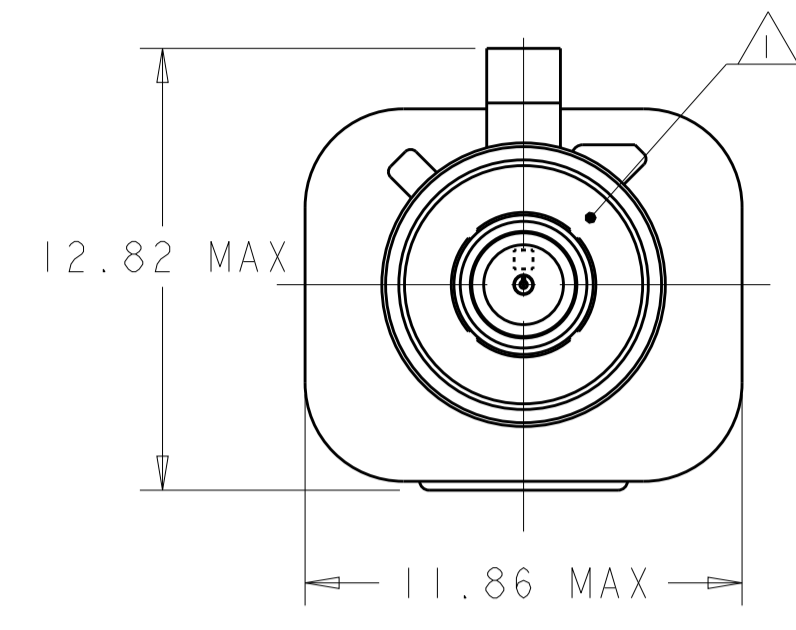


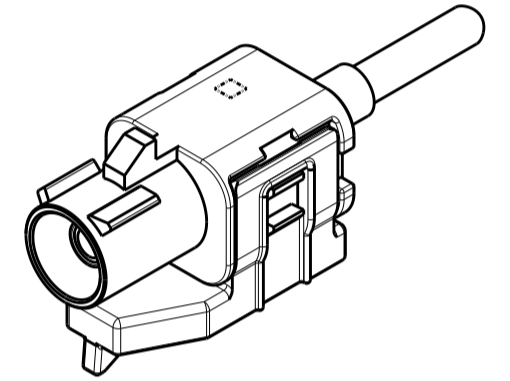
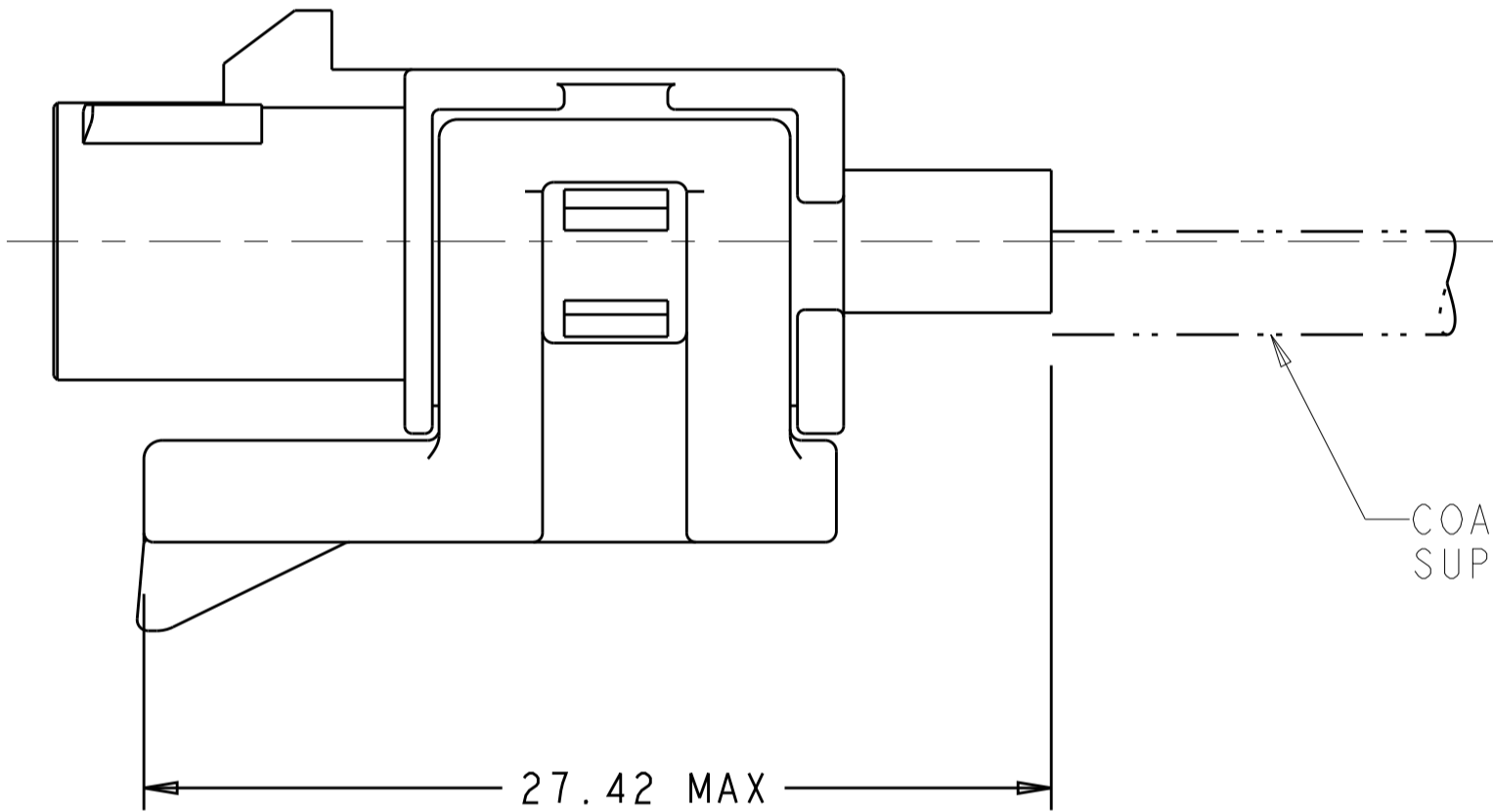
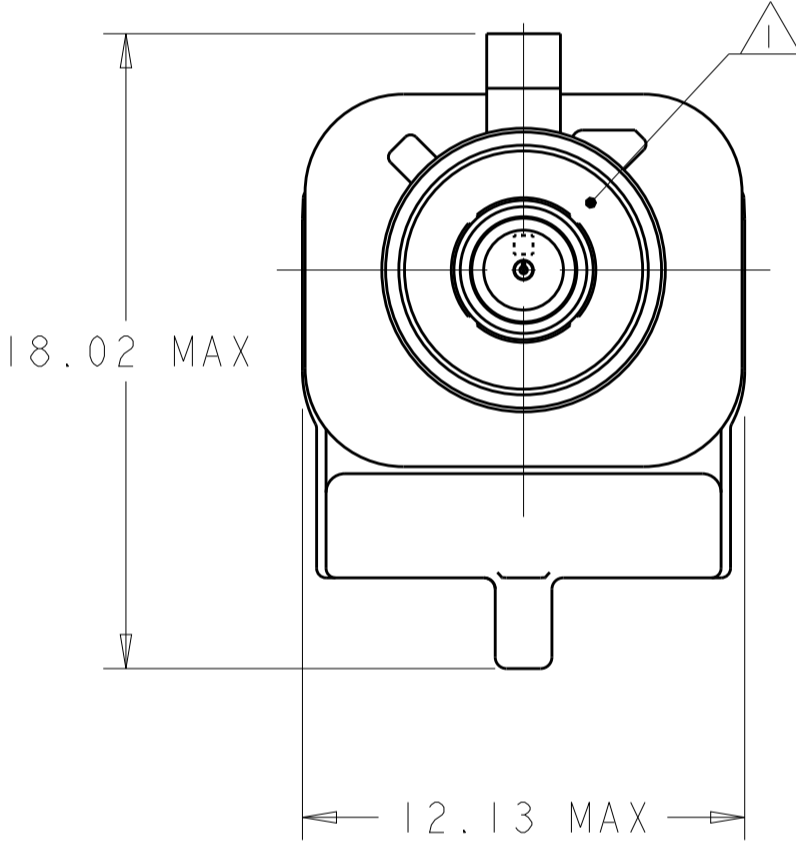
| REVISIONS | | | | | |
|-----------|------|---------------------------|-----------|------|-------|
| P. | LTN. | DESCRIPTION | DATE | DWN. | APVD. |
| E5 | | REVISED PER ECO-15-009269 | 25SEP2015 | DD | LV |
| E6 | | REVISED PER ECO-16-007043 | 16MAY2016 | DD | LV |
| E7 | | REVISED PER ECO-19-002003 | 08FEB2019 | CN | AP |



ISOMETRIC VIEW
SCALE 2:1

COAX CABLE
SUPPLIED BY CUSTOMER

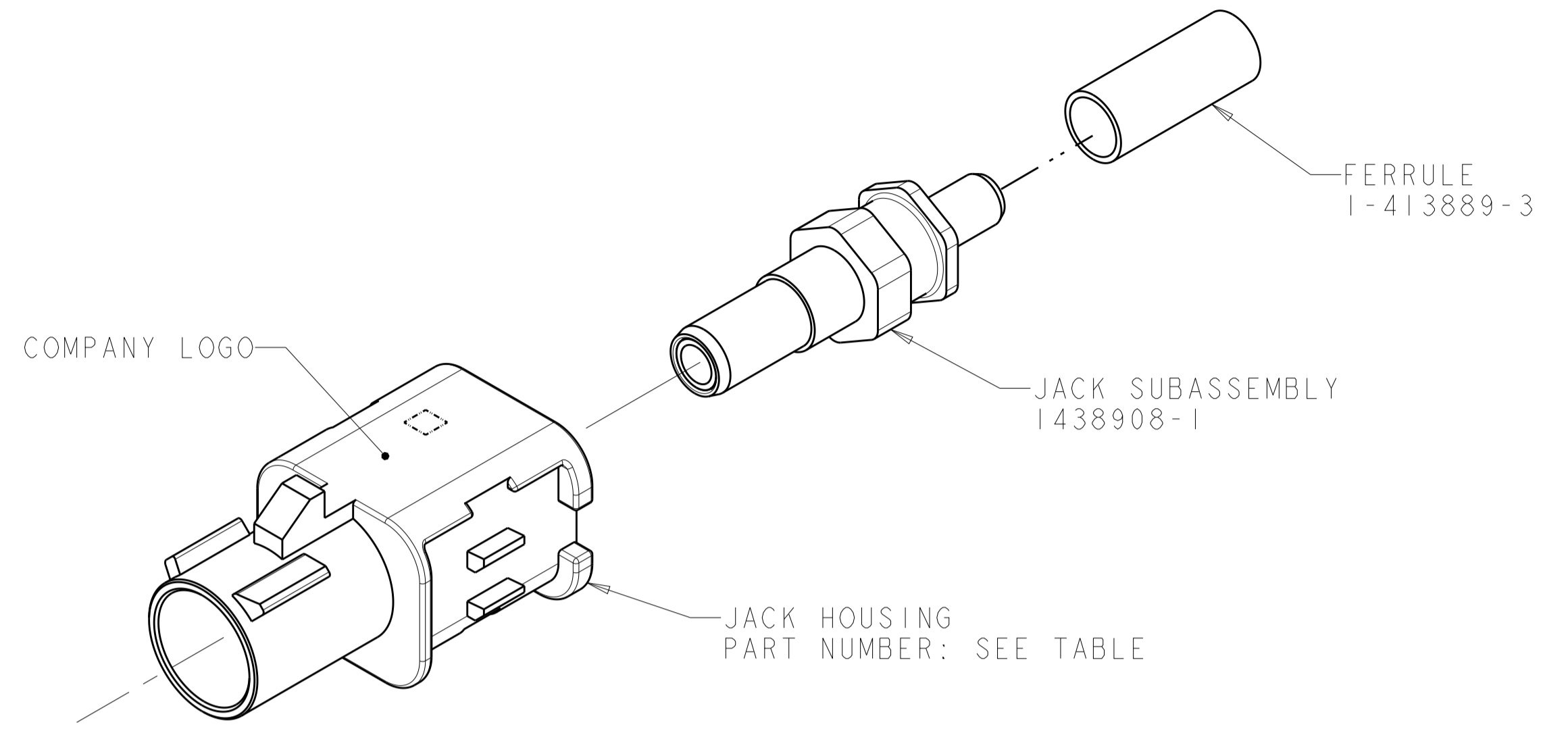
DETAIL X



ISOMETRIC VIEW
SCALE 2:1

COAX CABLE
SUPPLIED BY CUSTOMER

DETAIL Y

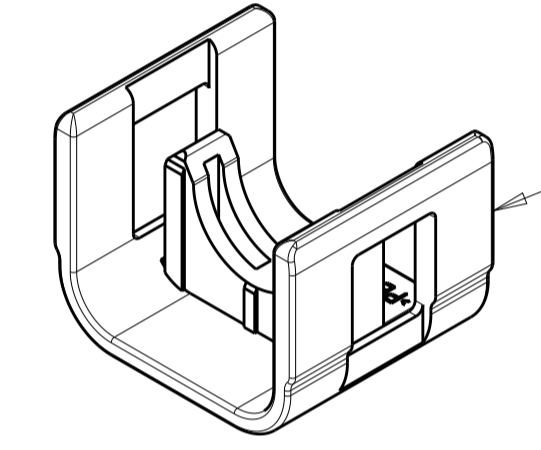


COMPANY LOGO

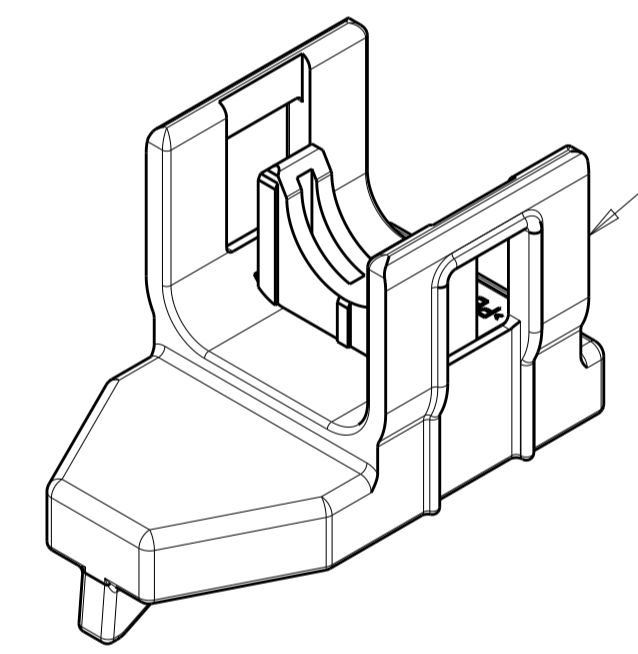
JACK SUBASSEMBLY
1438908-1

FERRULE
1-413889-3

JACK HOUSING
PART NUMBER: SEE TABLE



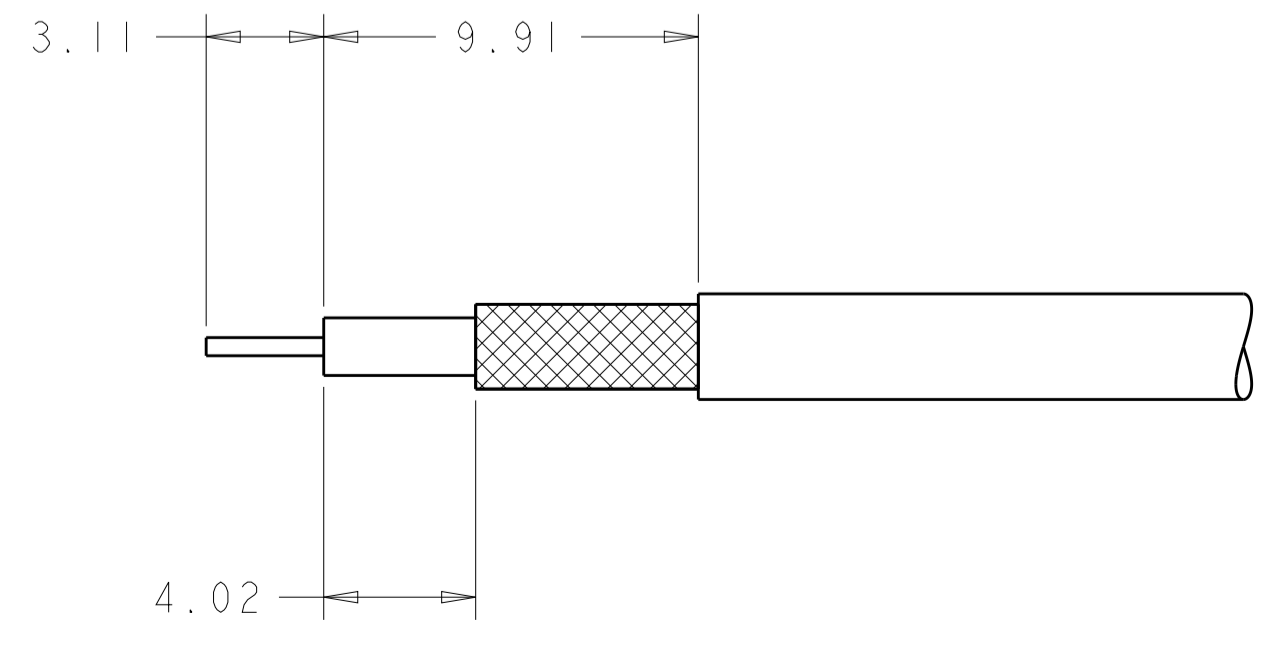
LOCK
1438888-1
SEE TABLE



LOCK
WITH BODY CLIP SLOT
1438894-2
SEE TABLE

| PER DETAIL Y | PER DETAIL M | M | GRAY | 1438894-2 | PASTEL ORANGE | 1-1438887-2 | 6-1438912-2 |
|--------------|--------------|--------|------------|------------------|----------------|--------------------------|-------------|
| PER DETAIL Y | PER DETAIL K | K | GRAY | 1438894-2 | CURRY | 1-1438887-0 | 6-1438912-0 |
| PER DETAIL Y | PER DETAIL I | I | GRAY | 1438894-2 | BEIGE | 1438887-9 | 5-1438912-9 |
| PER DETAIL Y | PER DETAIL H | H | GRAY | 1438894-2 | HEATHER VIOLET | 1438887-8 | 5-1438912-8 |
| PER DETAIL Y | PER DETAIL G | G | GRAY | 1438894-2 | BLUE GREY | 1438887-7 | 5-1438912-7 |
| PER DETAIL Y | PER DETAIL F | F | GRAY | 1438894-2 | NUT BROWN | 1438887-6 | 5-1438912-6 |
| PER DETAIL Y | PER DETAIL E | E | GRAY | 1438894-2 | LEAF GREEN | 1438887-5 | 5-1438912-5 |
| PER DETAIL Y | PER DETAIL D | D | GRAY | 1438894-2 | CLARET VIOLET | 1438887-4 | 5-1438912-4 |
| PER DETAIL Y | PER DETAIL C | C | GRAY | 1438894-2 | SIGNAL BLUE | 1438887-3 | 5-1438912-3 |
| PER DETAIL Y | PER DETAIL B | B | GRAY | 1438894-2 | SIGNAL WHITE | 1438887-2 | 5-1438912-2 |
| PER DETAIL Y | PER DETAIL A | A | GRAY | 1438894-2 | JET BLACK | 1438887-1 | 5-1438912-1 |
| PER DETAIL X | PER DETAIL M | M | RED | 1438888-1 | PASTEL ORANGE | 1-1438887-2 | 1-1438912-2 |
| PER DETAIL X | PER DETAIL K | K | RED | 1438888-1 | CURRY | 1-1438887-0 | 1-1438912-0 |
| PER DETAIL X | PER DETAIL I | I | RED | 1438888-1 | BEIGE | 1438887-9 | 1438912-9 |
| PER DETAIL X | PER DETAIL H | H | RED | 1438888-1 | HEATHER VIOLET | 1438887-8 | 1438912-8 |
| PER DETAIL X | PER DETAIL G | G | RED | 1438888-1 | BLUE GREY | 1438887-7 | 1438912-7 |
| PER DETAIL X | PER DETAIL F | F | RED | 1438888-1 | NUT BROWN | 1438887-6 | 1438912-6 |
| PER DETAIL X | PER DETAIL E | E | RED | 1438888-1 | LEAF GREEN | 1438887-5 | 1438912-5 |
| PER DETAIL X | PER DETAIL D | D | RED | 1438888-1 | CLARET VIOLET | 1438887-4 | 1438912-4 |
| PER DETAIL X | PER DETAIL C | C | RED | 1438888-1 | SIGNAL BLUE | 1438887-3 | 1438912-3 |
| PER DETAIL X | PER DETAIL B | B | RED | 1438888-1 | SIGNAL WHITE | 1438887-2 | 1438912-2 |
| PER DETAIL X | PER DETAIL A | A | RED | 1438888-1 | JET BLACK | 1438887-1 | 1438912-1 |
| ASSEMBLY | KEYING | CODING | LOCK COLOR | LOCK PART NUMBER | HOUSING COLOR | JACK HOUSING PART NUMBER | PART NUMBER |

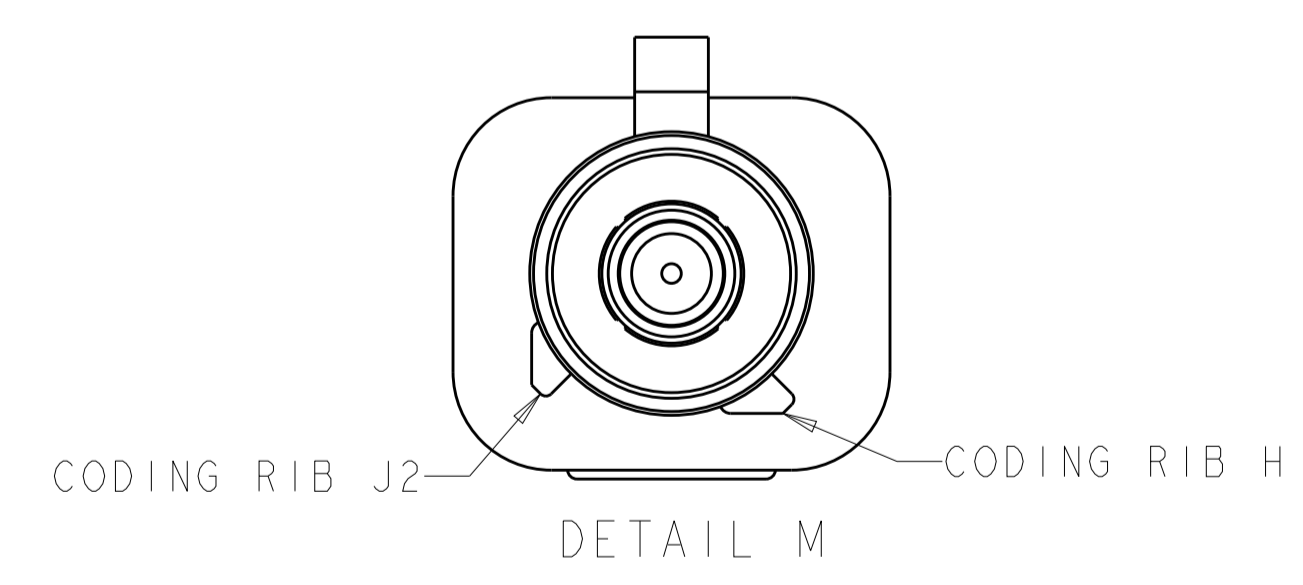
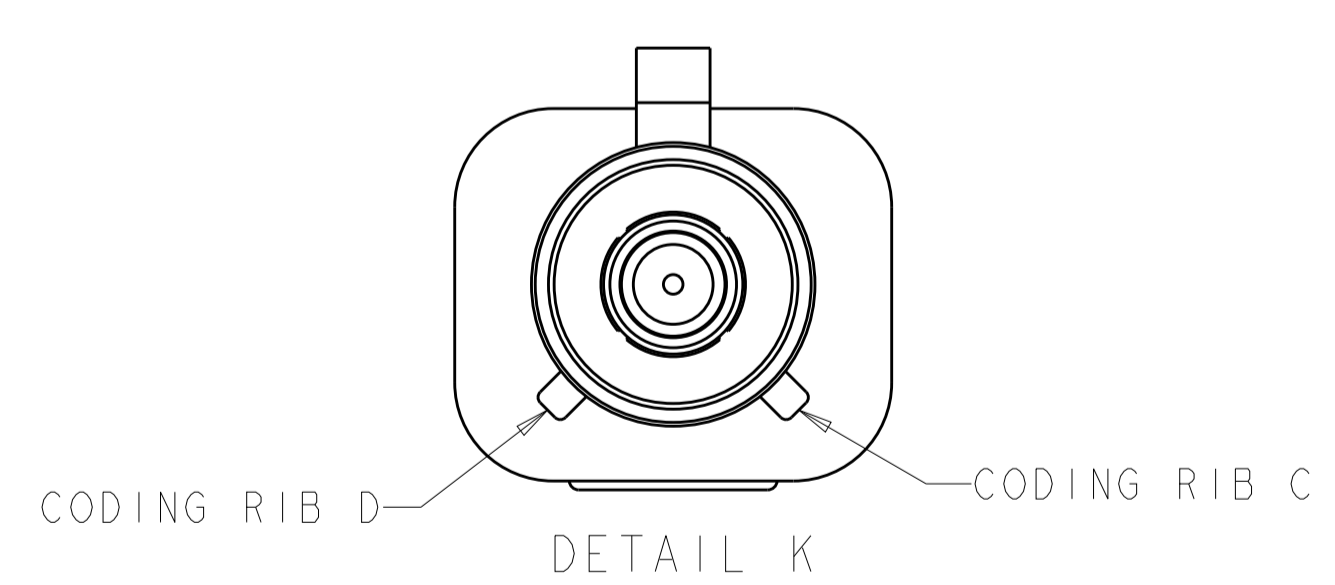
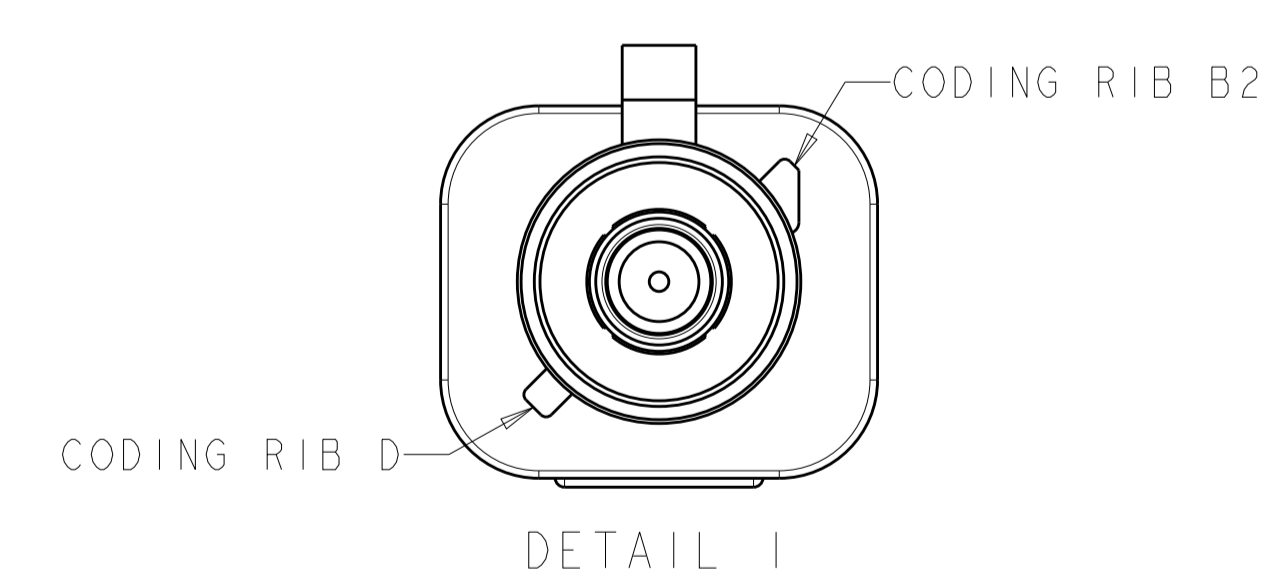
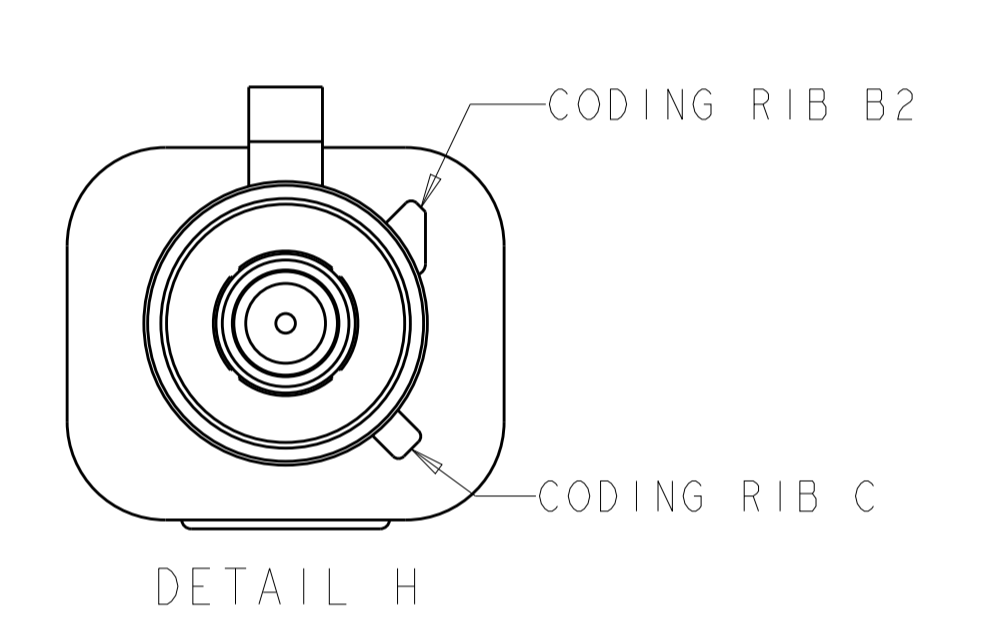
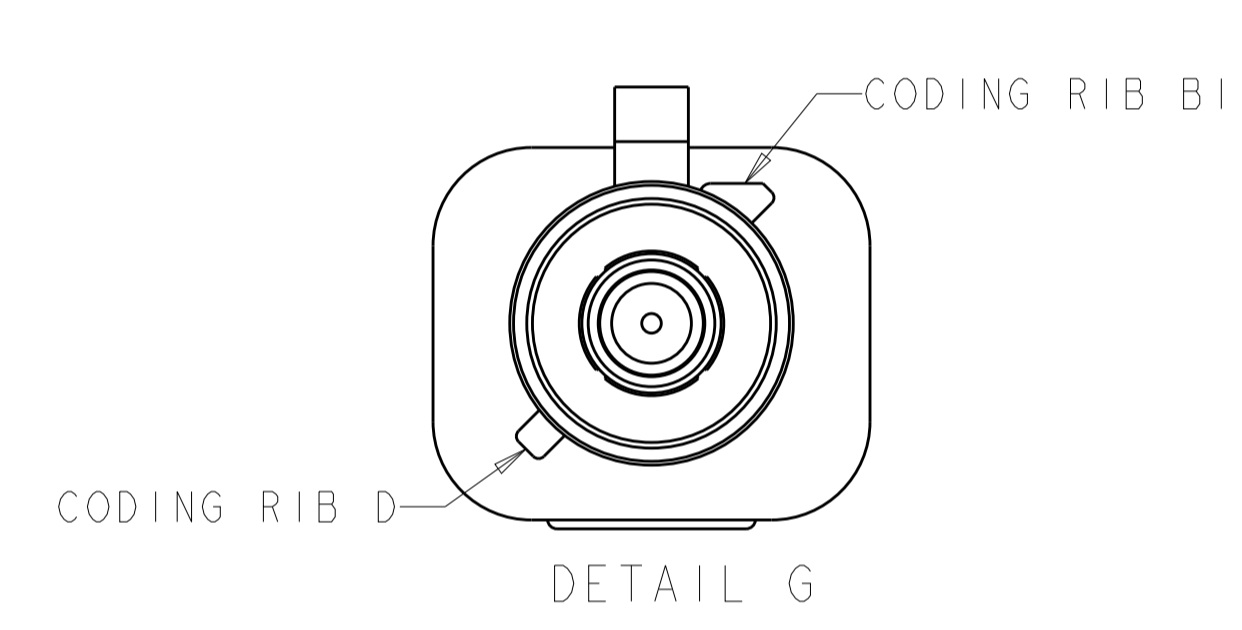
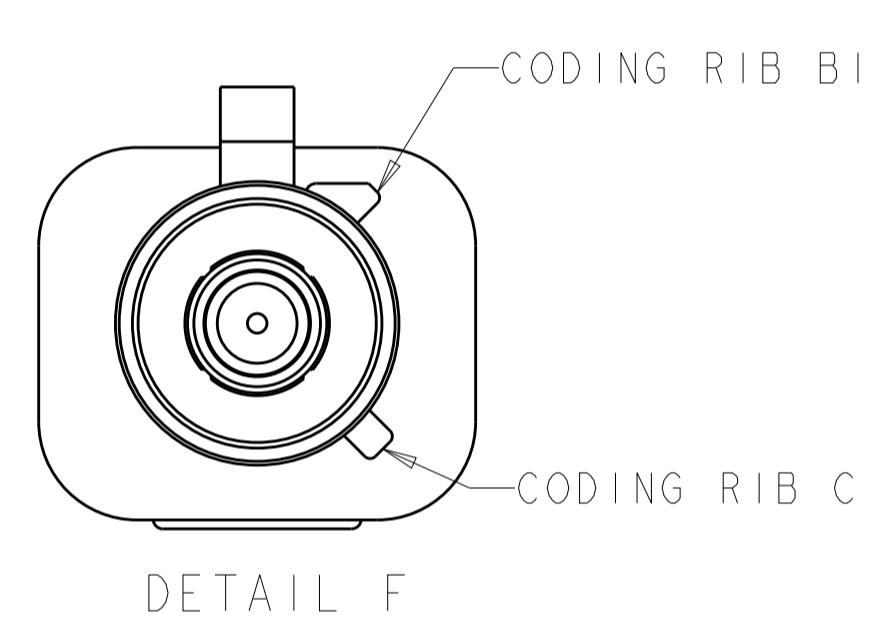
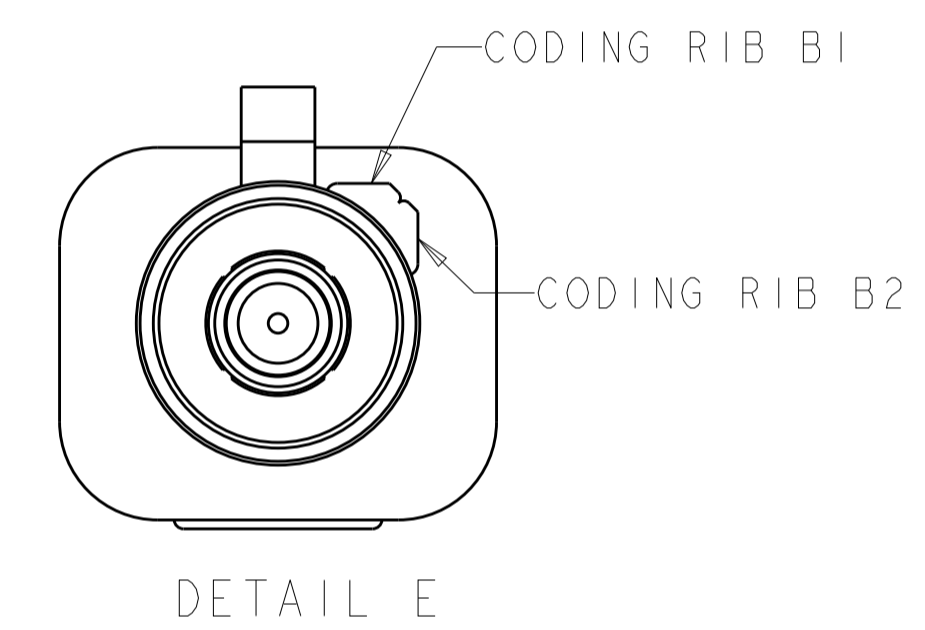
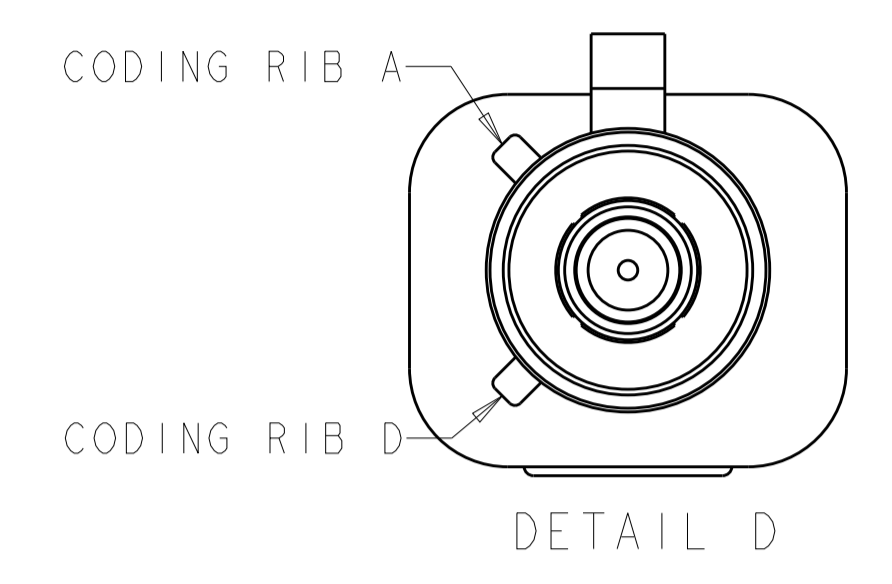
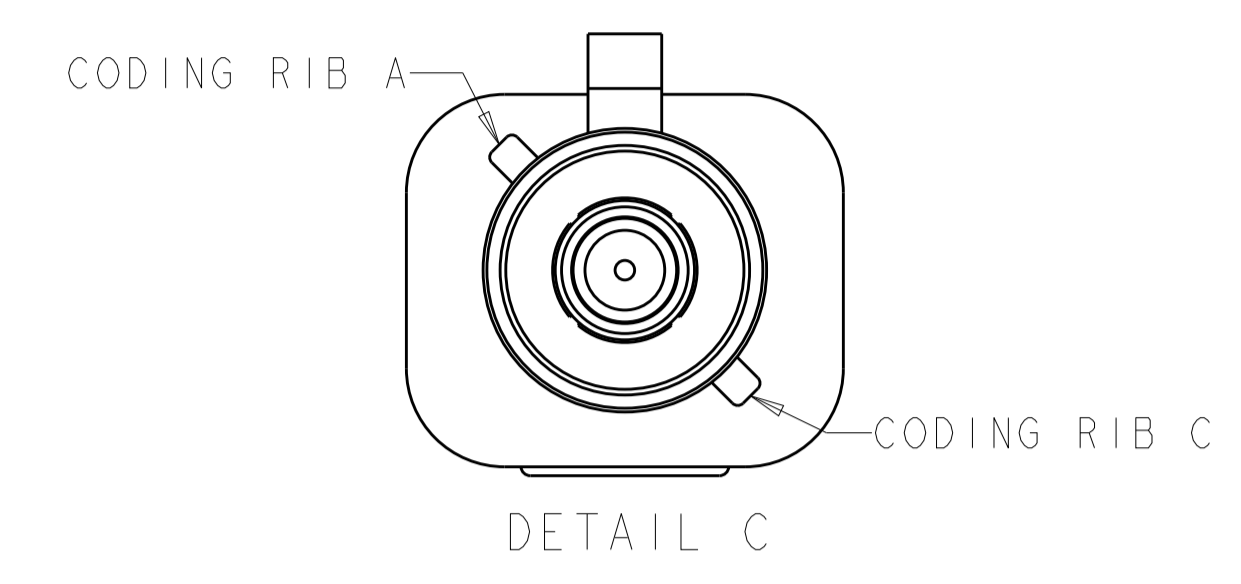
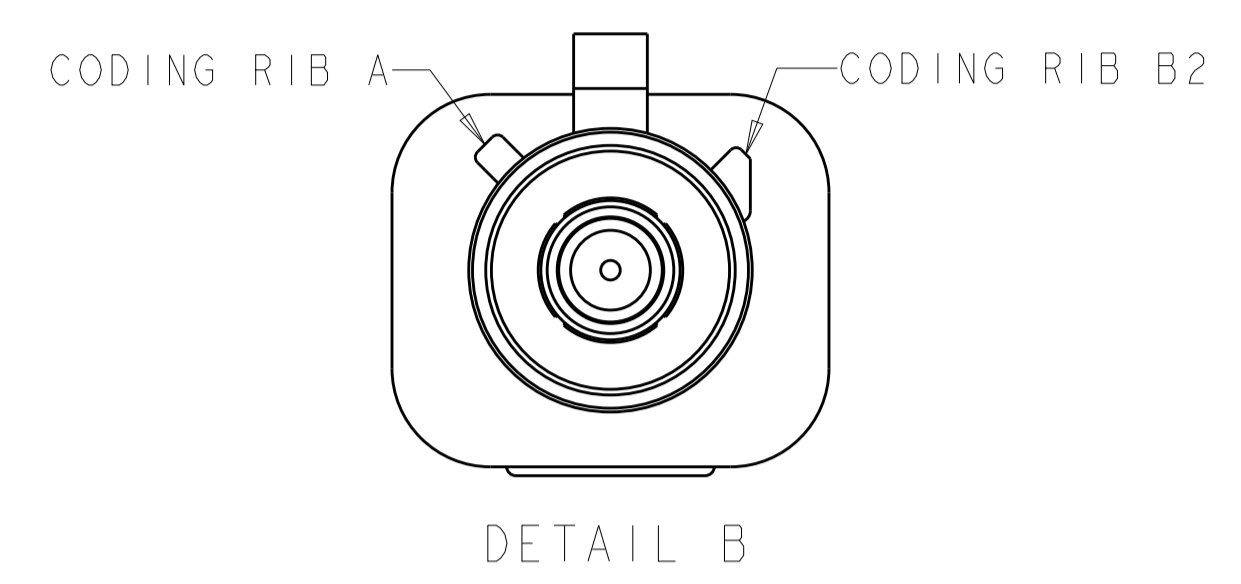
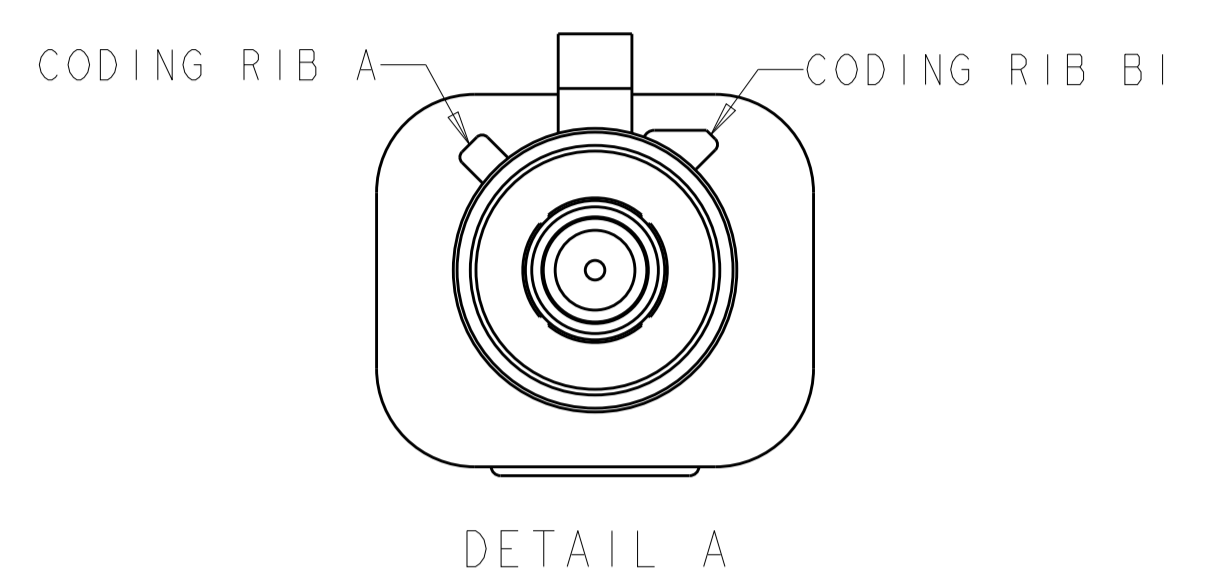
1. JACK INTERFACE PER DIN 72594-1, ROAD VEHICLES - RADIO FREQUENCY INTERFACE - DIMENSIONS AND ELECTRICAL REQUIREMENTS.
2. JACK SUBASSEMBLY WILL ACCEPT RG-316, RG-174 OR RG-174 LOW LOSS COAXIAL CABLE.
3. SEE INSTRUCTION SHEET 408-10028.
4. PIN CONTACT 1438890-8 MUST BE PURCHASED SEPARATELY.
5. DIMENSION APPLIES TO ALL CODING RIBS.
6. SUBASSY 1924938-1 (EXTENDED DIELECTRIC) IS ALLOWED AS AN ALTERNATE TO SUBASSY 1438908-1



RECOMMENDED STRIP LENGTH DIMENSIONS
SCALE: NTS

THIS DRAWING IS A CONTROLLED DOCUMENT. DWN: D.J.HARDY 03JAN2005
 CHK: J.W.HALL 26JAN2005
 DIMENSIONS: mm TOLERANCES UNLESS OTHERWISE SPECIFIED: 0 PLC ±, 1 PLC ±0.25, 2 PLC ±, 3 PLC ±, 4 PLC ±, ANGLES ±, FINISH -
 MATERIAL: -
 WEIGHT: -
 CUSTOMER DRAWING: -
 APVD: J.W.HALL 26JAN2005
 PRODUCT SPEC: -
 APPLICATION SPEC: 114-13157
 SIZE: A1
 CAGE CODE: 114-13157
 DRAWING NO: 114-13157
 SHEET: 2 OF 2
 REV: E7
STE TE Connectivity
 JACK KIT, UNASSEMBLED, 1 POSITION, RG-316 OR RG-174, FAKRA, SMB
 SCALE: 5:1

| REVISIONS | | | | |
|-----------|-----|-------------|------|------|
| P. | LTN | DESCRIPTION | DATE | APVD |
| - | - | SEE SHEET 1 | - | - |
| | | | | |
| | | | | |



| | | | |
|---|--|---|--|
| THIS DRAWING IS A CONTROLLED DOCUMENT. | | OWN: D. J. HARDY 03JAN2005 | TE Connectivity |
| DIMENSIONS: | | CHK: J. W. HALL 26JAN2005 | |
| mm | | APVD: J. W. HALL 26JAN2005 | |
| 0 PLC ± 1 PLC ± 2 PLC ±0.25 3 PLC ± 4 PLC ± ANGLES ± | | PRODUCT SPEC APPLICATION SPEC 114-13157 WEIGHT | NAME: JACK KIT, UNASSEMBLED, I POSITION, RG-316 OR RG-174, FAKRA, SMB SIZE: A1 CAGE CODE: 00779 DRAWING NO: 1438912 |
| MATERIAL: | | CUSTOMER DRAWING | |
| FINISH: | | SCALE: 5:1 | SHEET 2 OF 2 REV: E7 |