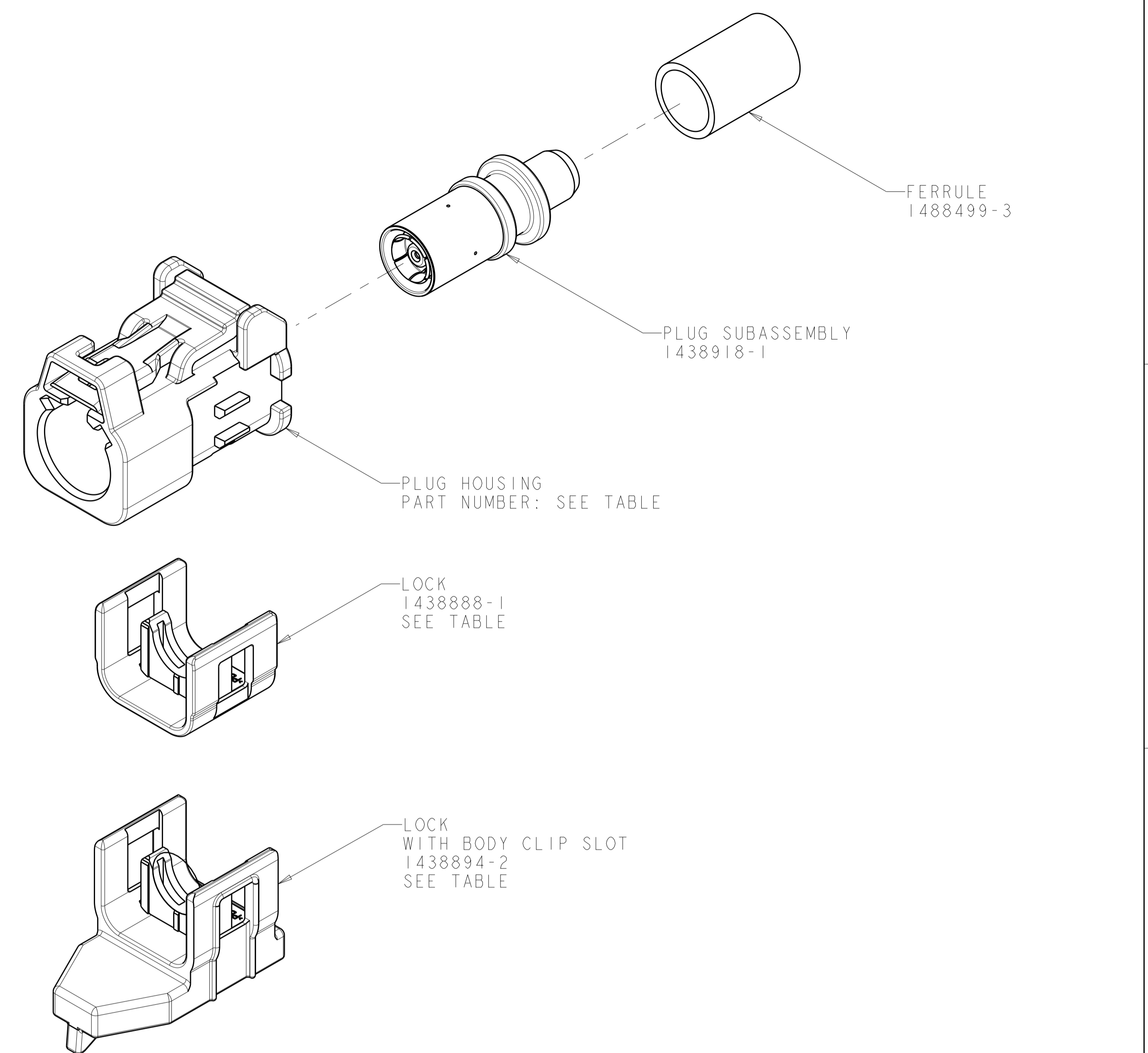
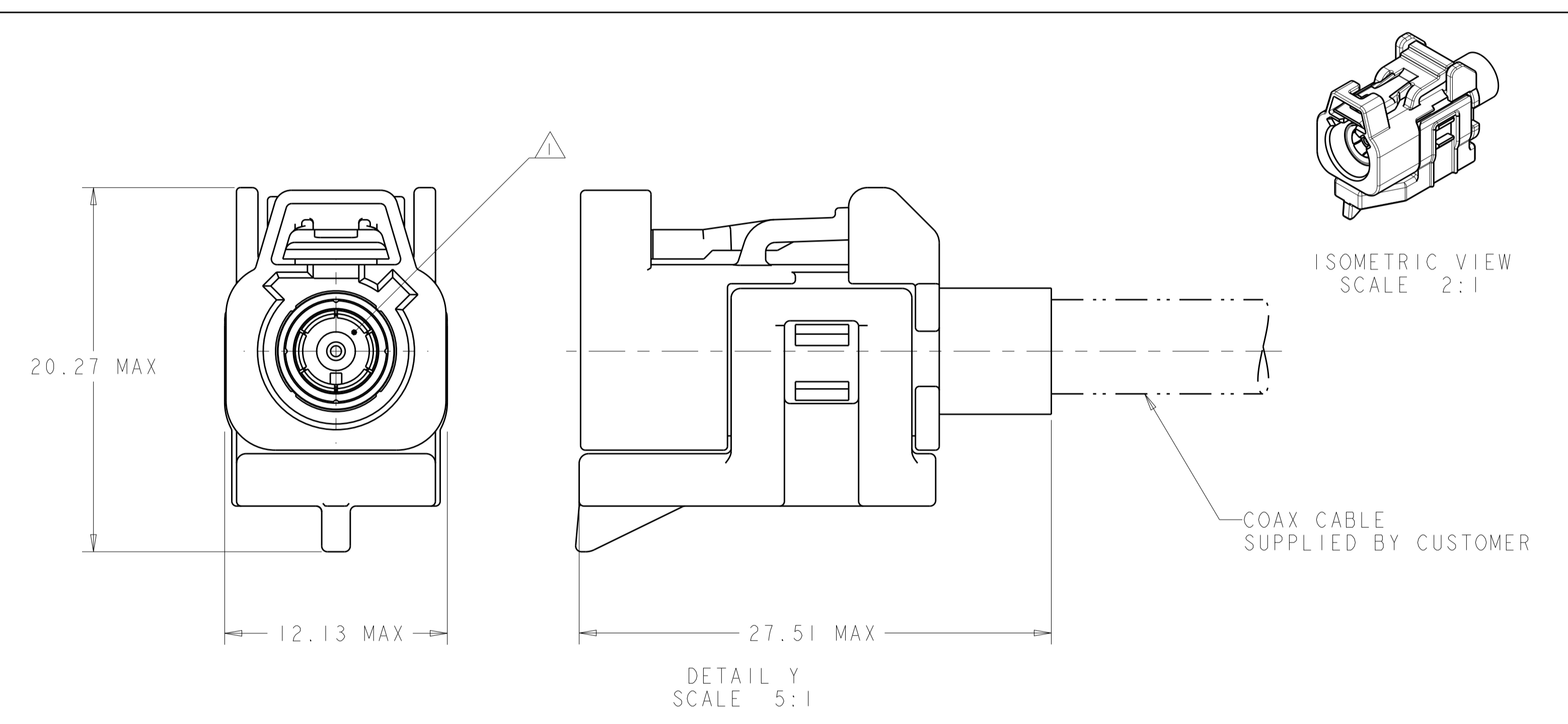
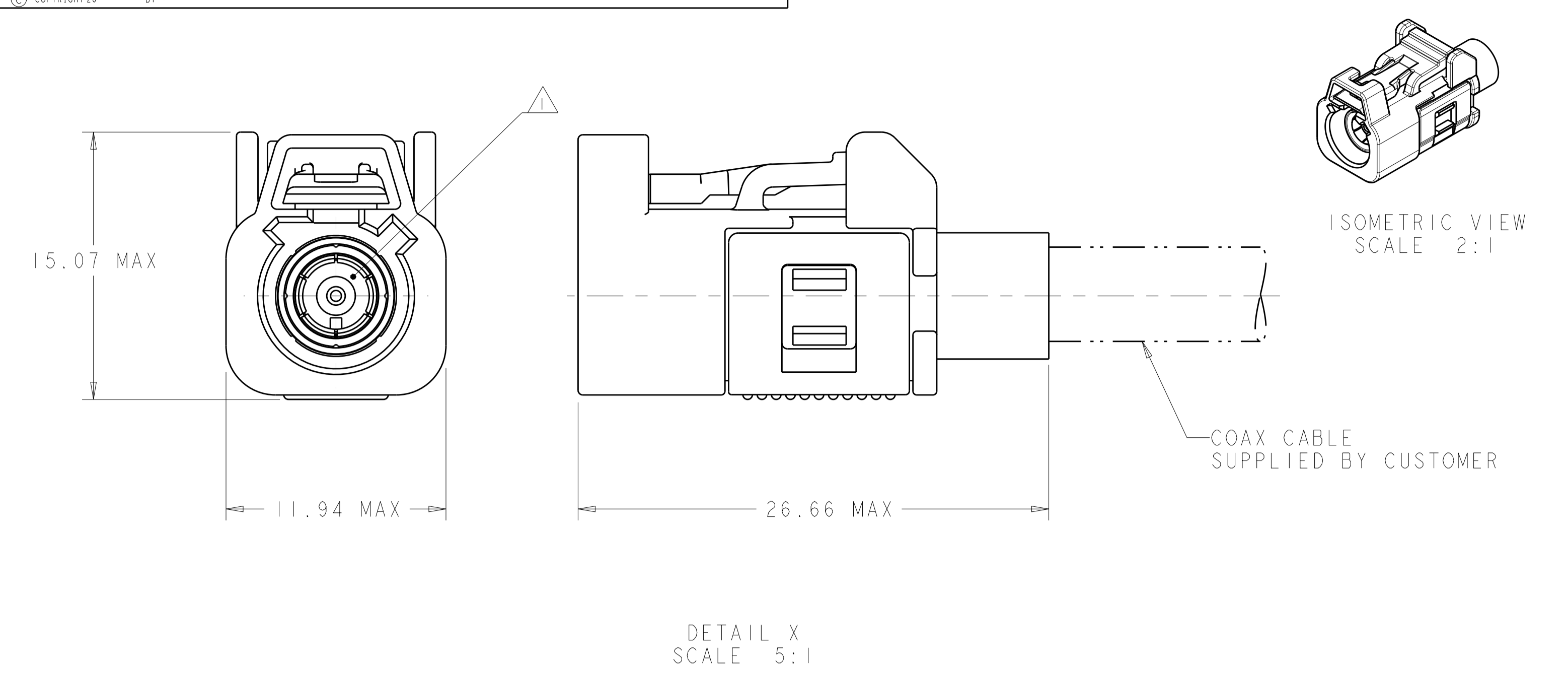
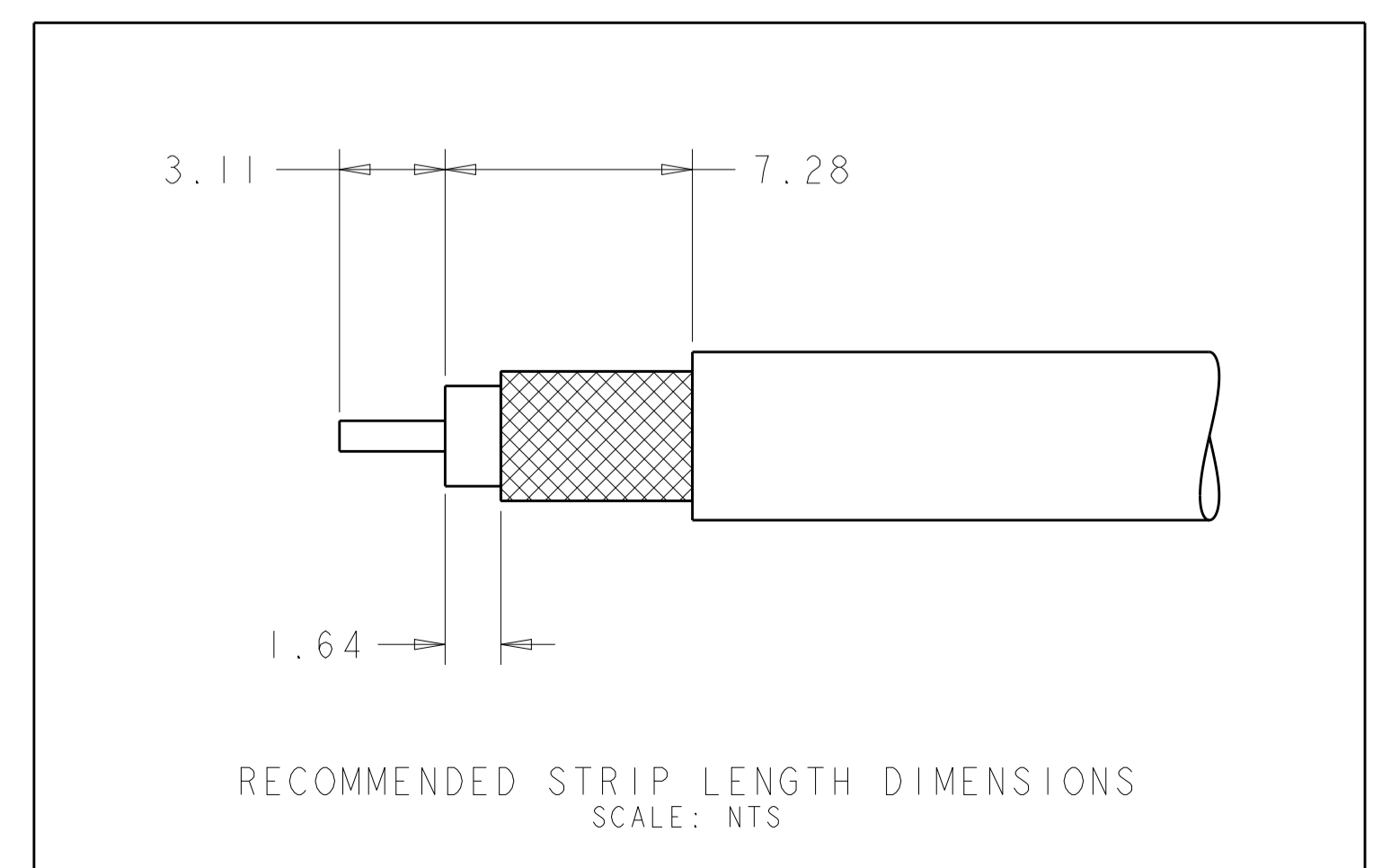


LOC		DIST		REVISIONS			
IN	00						



- 1. PLUG ACCEPTS JACKS MEETING DIN 72594-1, ROAD VEHICLES - RADIO FREQUENCY INTERFACE - DIMENSIONS AND ELECTRICAL REQUIREMENTS.
- 2. PLUG SUBASSEMBLY WILL ACCEPT M17/28-RG58 COAXIAL CABLE PER MIL-C-17 AND LOW LOSS RG58 TYPE ANDREW CORPORATION PART NUMBER 910046A000. ALSO, ACCEPTS MINI 59 TYPE CABLE.
- 3. SEE INSTRUCTION SHEET 408-10028.
- 4. SOCKET CONTACT 1438896-2 MUST BE PURCHASED SEPARATELY FOR USE WITH RG58 AND RG58LL CABLE. SOCKET CONTACT 1438896-4 MUST BE PURCHASED SEPARATELY FOR USE WITH MINI 59 CABLE.



PER DETAIL Y	PER DETAIL M	M	GRAY	1438894-2	PASTEL ORANGE	1-1438893-2	6-1438919-2
PER DETAIL Y	PER DETAIL K	K	GRAY	1438894-2	CURRY	1-1438893-0	6-1438919-0
PER DETAIL Y	PER DETAIL H	H	GRAY	1438894-2	HEATHER VIOLET	1438893-8	5-1438919-8
PER DETAIL Y	PER DETAIL G	G	GRAY	1438894-2	BLUE GREY	1438893-7	5-1438919-7
PER DETAIL Y	PER DETAIL F	F	GRAY	1438894-2	NUT BROWN	1438893-6	5-1438919-6
PER DETAIL Y	PER DETAIL E	E	GRAY	1438894-2	LEAF GREEN	1438893-5	5-1438919-5
PER DETAIL Y	PER DETAIL D	D	GRAY	1438894-2	CLARET VIOLET	1438893-4	5-1438919-4
PER DETAIL Y	PER DETAIL C	C	GRAY	1438894-2	SIGNAL BLUE	1438893-3	5-1438919-3
PER DETAIL Y	PER DETAIL B	B	GRAY	1438894-2	SIGNAL WHITE	1438893-2	5-1438919-2
PER DETAIL Y	PER DETAIL A	A	GRAY	1438894-2	JET BLACK	1438893-1	5-1438919-1
PER DETAIL X	PER DETAIL M	M	RED	1438888-1	PASTEL ORANGE	1-1438893-2	1-1438919-2
PER DETAIL X	PER DETAIL K	K	RED	1438888-1	CURRY	1-1438893-0	1-1438919-0
PER DETAIL X	PER DETAIL H	H	RED	1438888-1	HEATHER VIOLET	1438893-8	1438919-8
PER DETAIL X	PER DETAIL G	G	RED	1438888-1	BLUE GREY	1438893-7	1438919-7
PER DETAIL X	PER DETAIL F	F	RED	1438888-1	NUT BROWN	1438893-6	1438919-6
PER DETAIL X	PER DETAIL E	E	RED	1438888-1	LEAF GREEN	1438893-5	1438919-5
PER DETAIL X	PER DETAIL D	D	RED	1438888-1	CLARET VIOLET	1438893-4	1438919-4
PER DETAIL X	PER DETAIL C	C	RED	1438888-1	SIGNAL BLUE	1438893-3	1438919-3
PER DETAIL X	PER DETAIL B	B	RED	1438888-1	SIGNAL WHITE	1438893-2	1438919-2
PER DETAIL X	PER DETAIL A	A	RED	1438888-1	JET BLACK	1438893-1	1438919-1
ASSEMBLY	KEYING	CODING	LOCK COLOR	LOCK PART NUMBER	HOUSING COLOR	PLUG HOUSING PART NUMBER	PART NUMBER

THIS DRAWING IS A CONTROLLED DOCUMENT.

OWN: D. J. HARDY 04JAN2005
 CHG: J. W. HALL 27JAN2005
 APVD: J. W. HALL 27JAN2005

DIMENSIONS: mm
 TOLERANCES UNLESS OTHERWISE SPECIFIED:
 0 PLC ±
 1 PLC ±0.25
 2 PLC ±
 3 PLC ±
 4 PLC ±
 ANGLES ±

MATERIAL: - FINISH: -

THIS DRAWING IS A CONTROLLED DOCUMENT. DWN: D. J. HARDY 04JAN2005 CHG: J. W. HALL 27JAN2005 APVD: J. W. HALL 27JAN2005

PRODUCT SPEC: - APPLICATION SPEC: 114-13157 WEIGHT: -

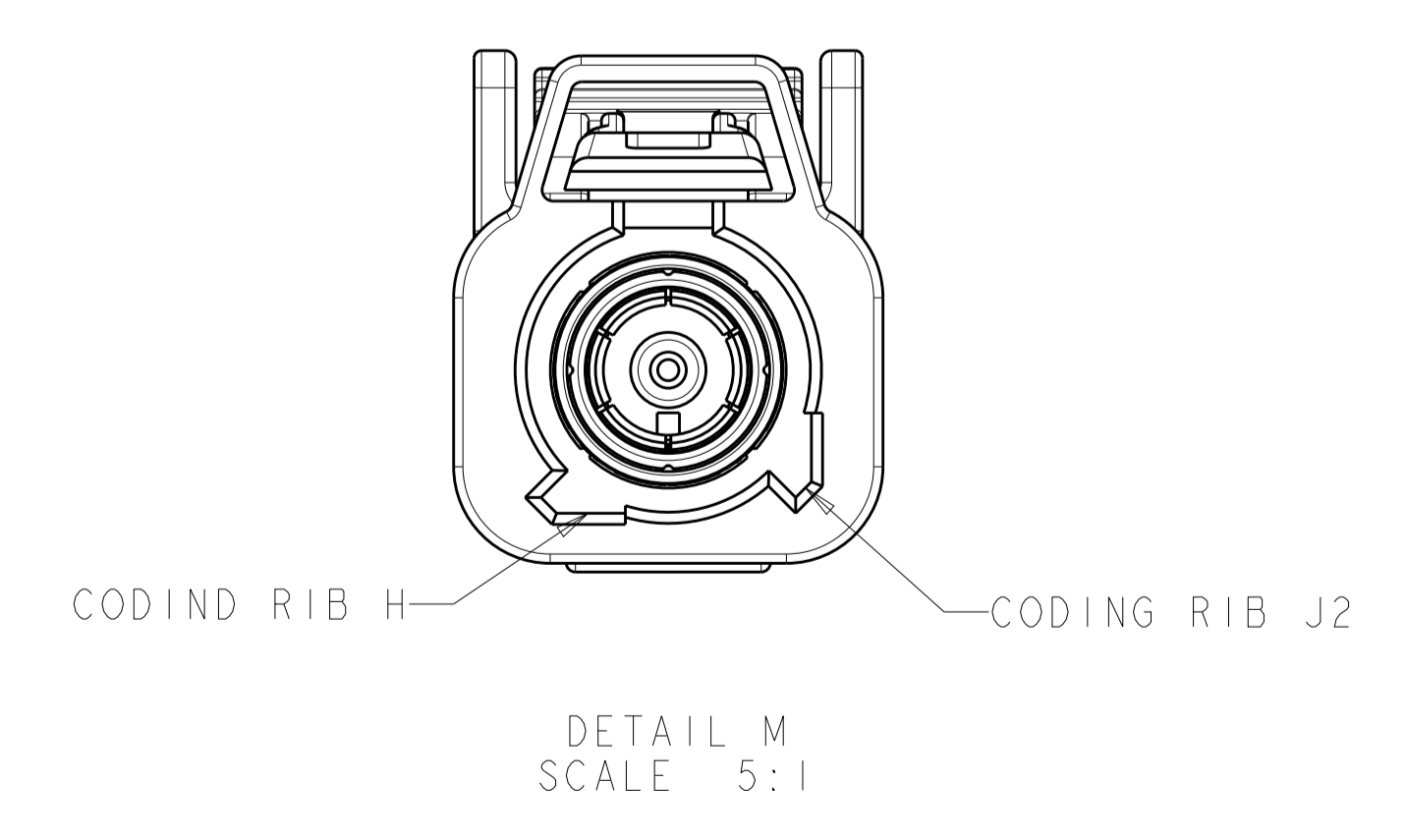
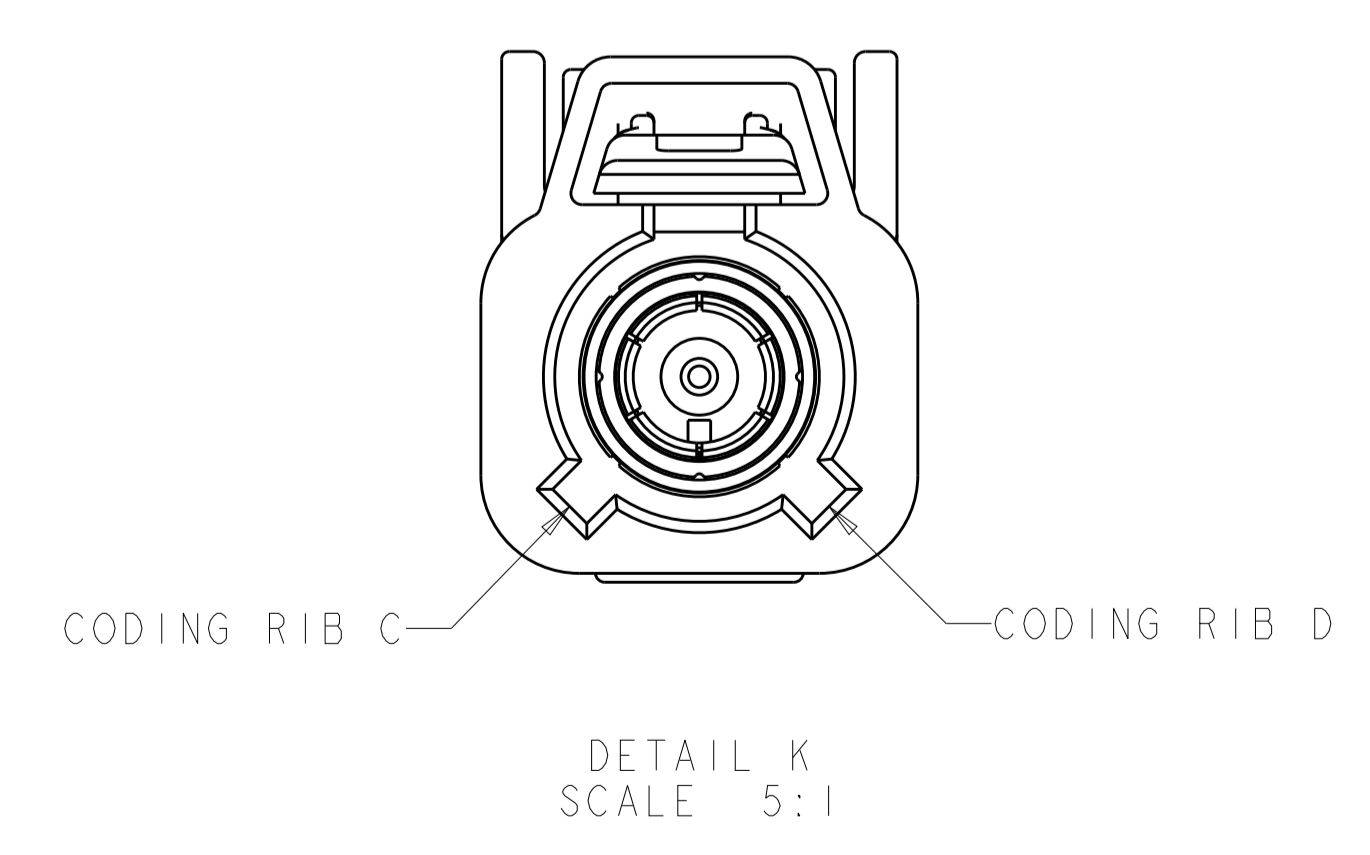
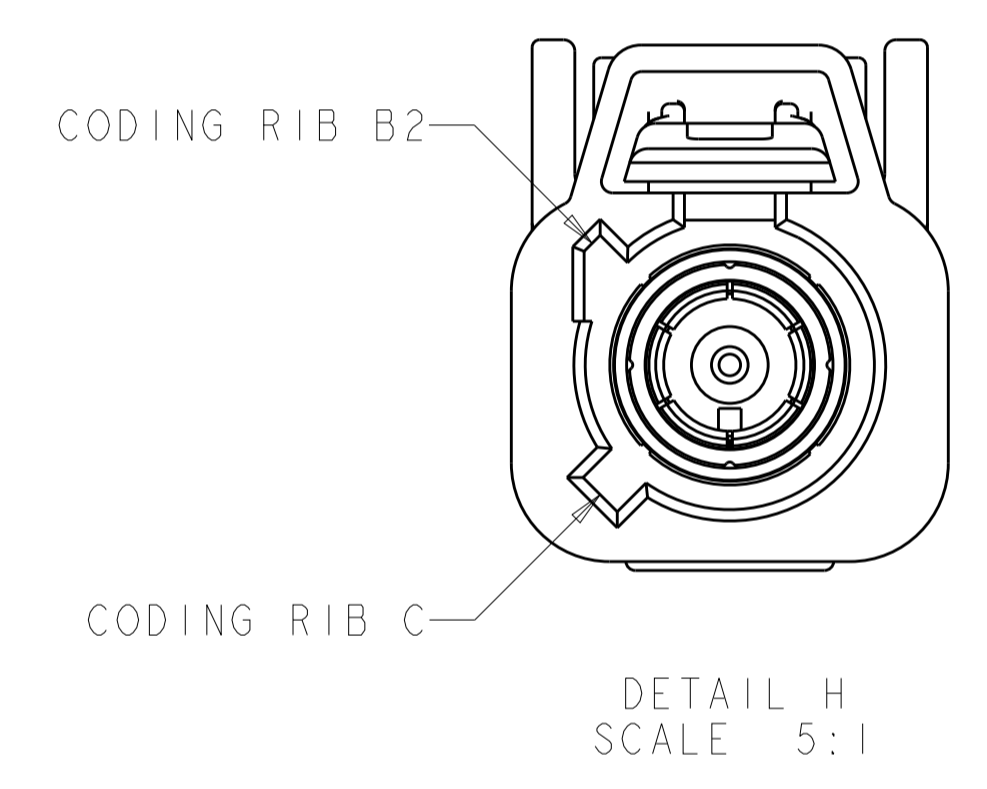
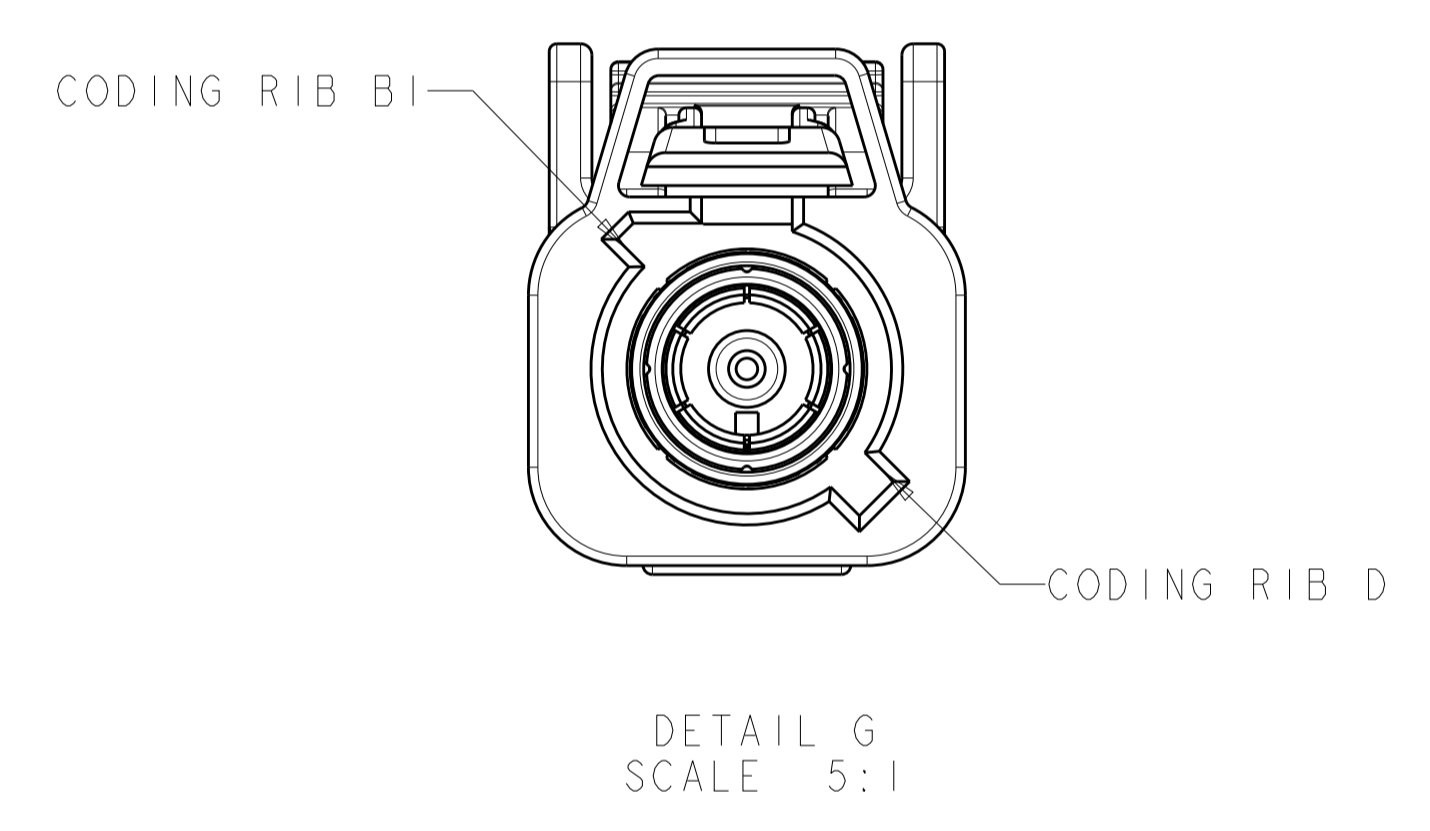
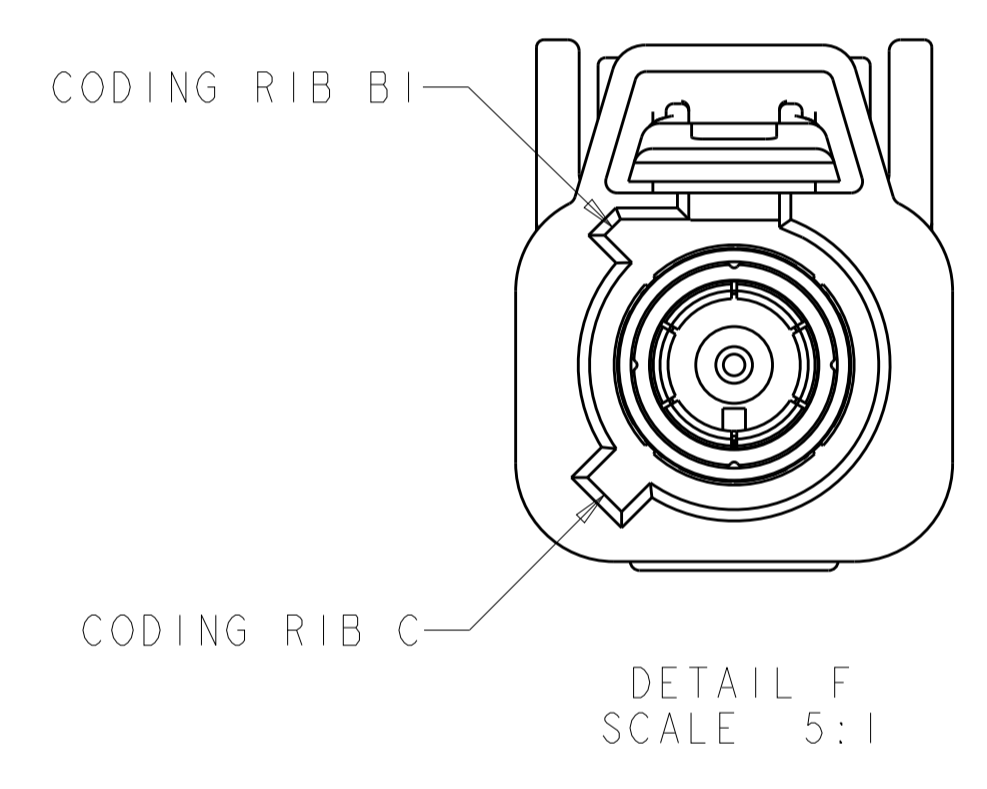
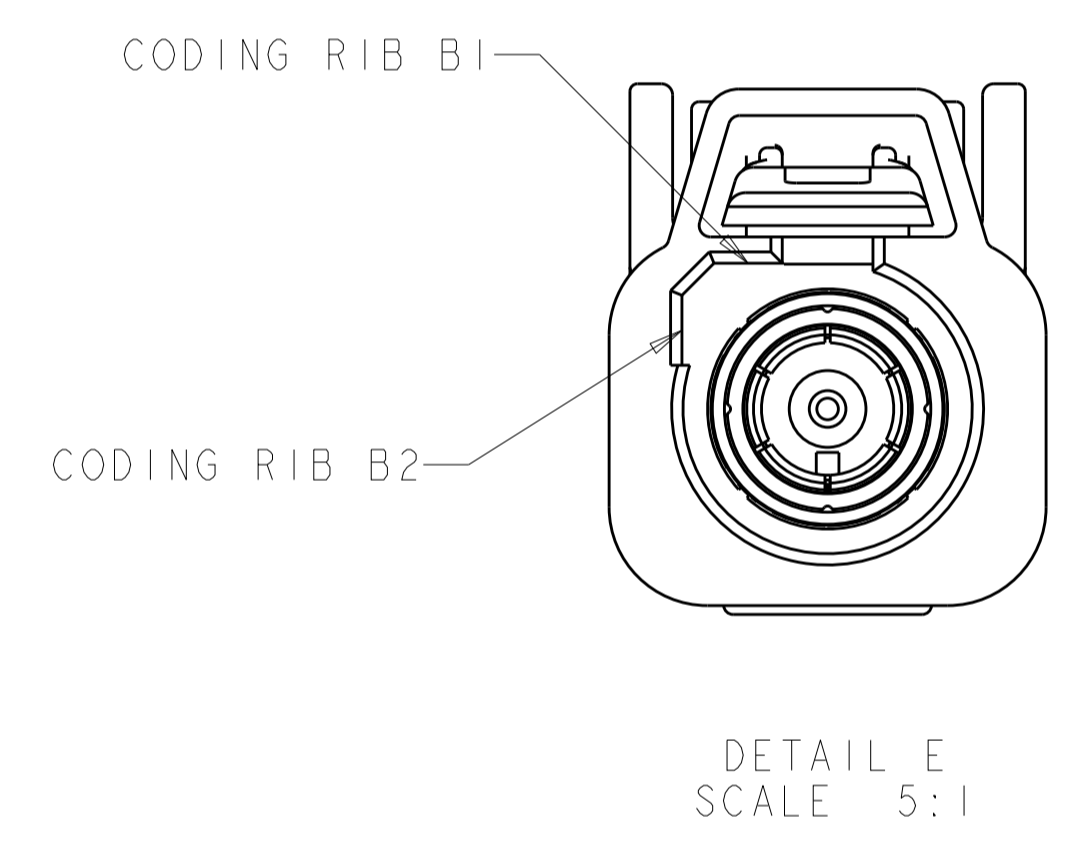
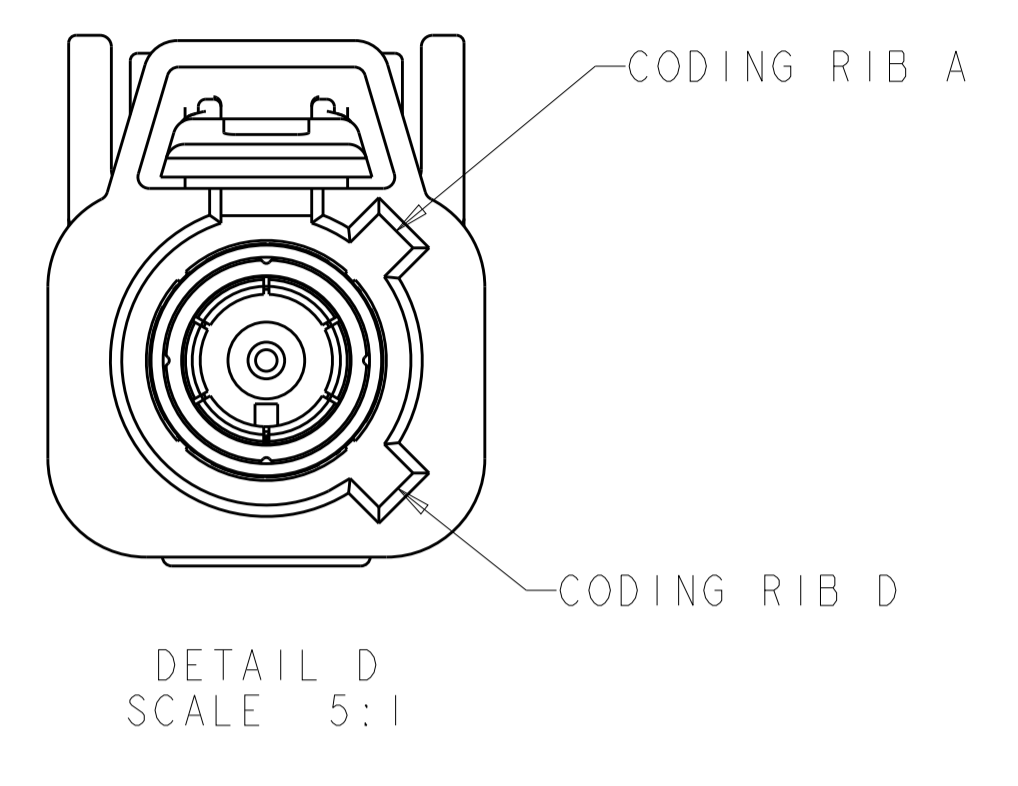
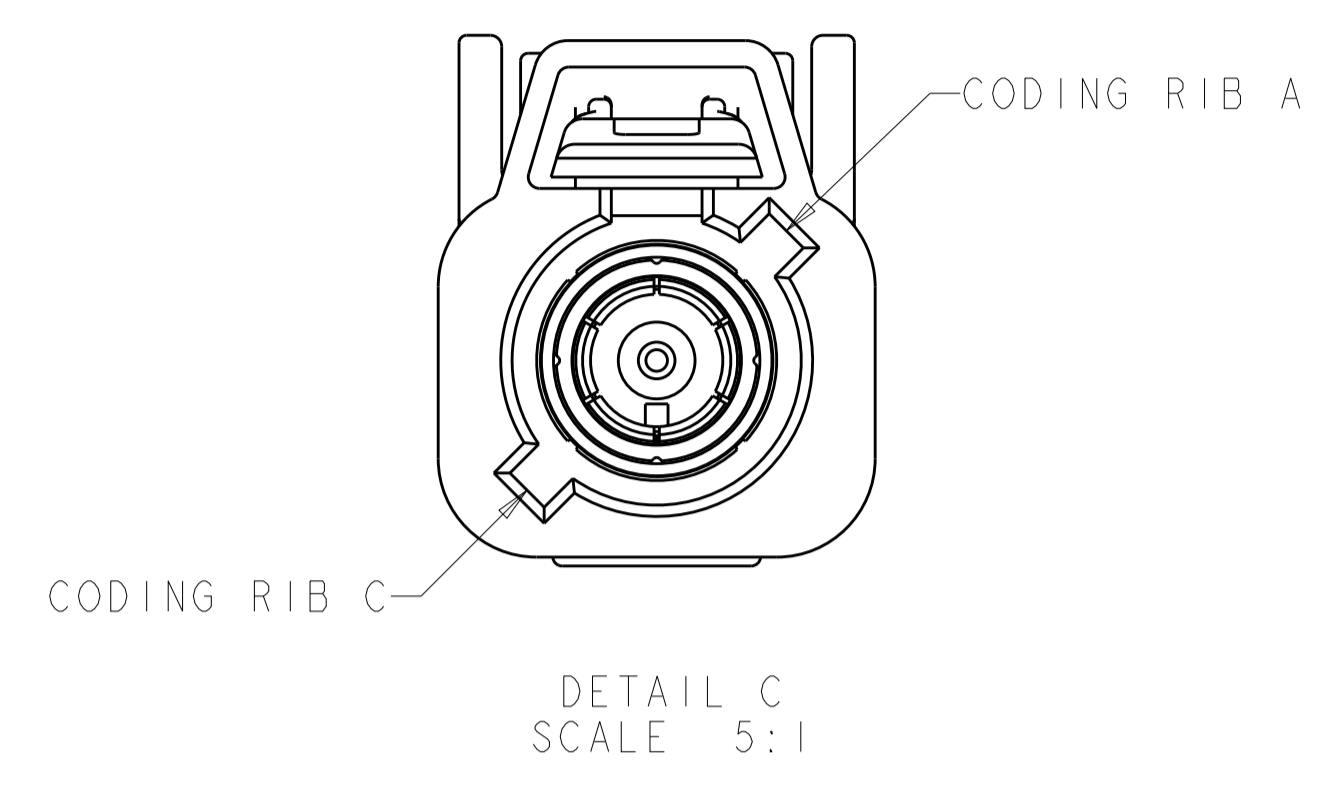
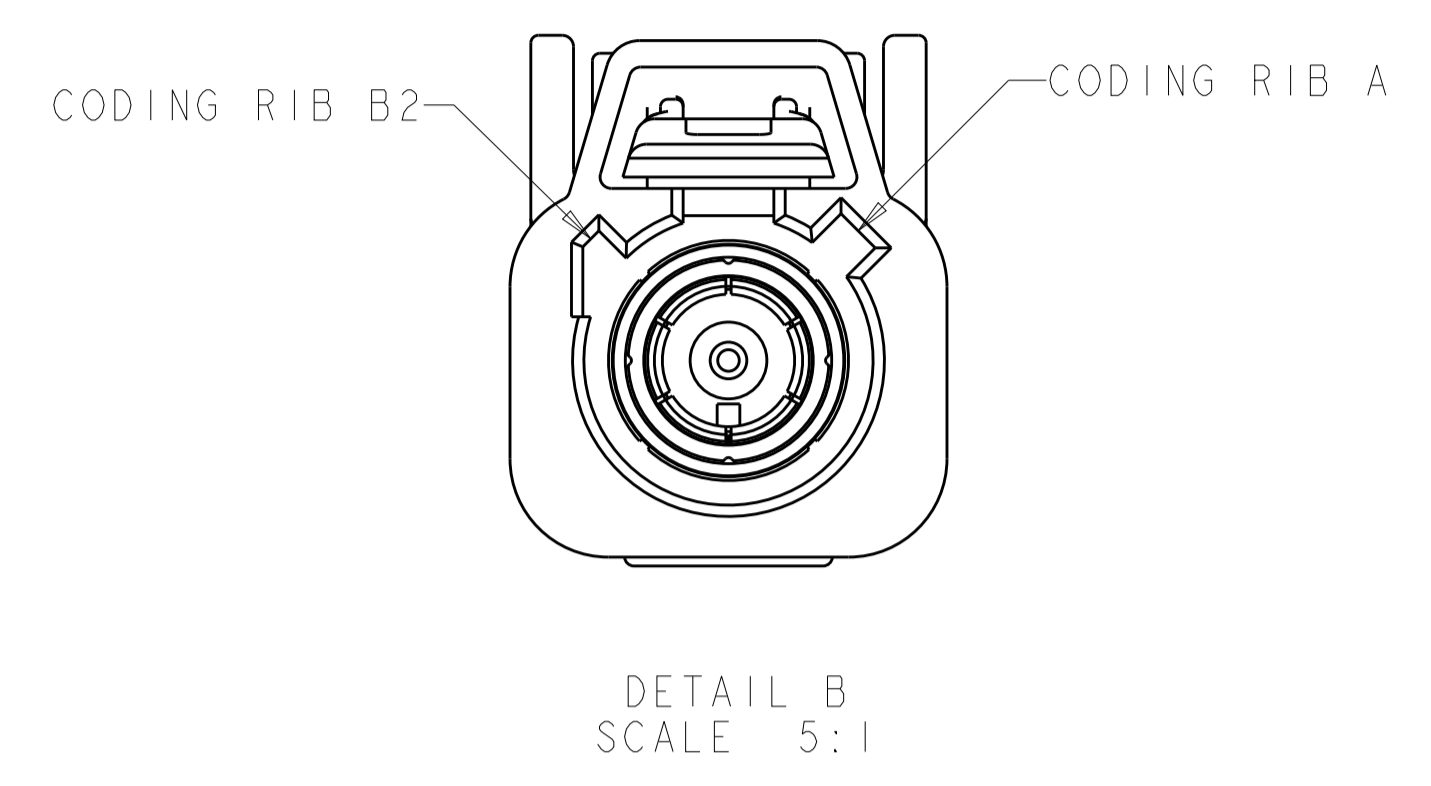
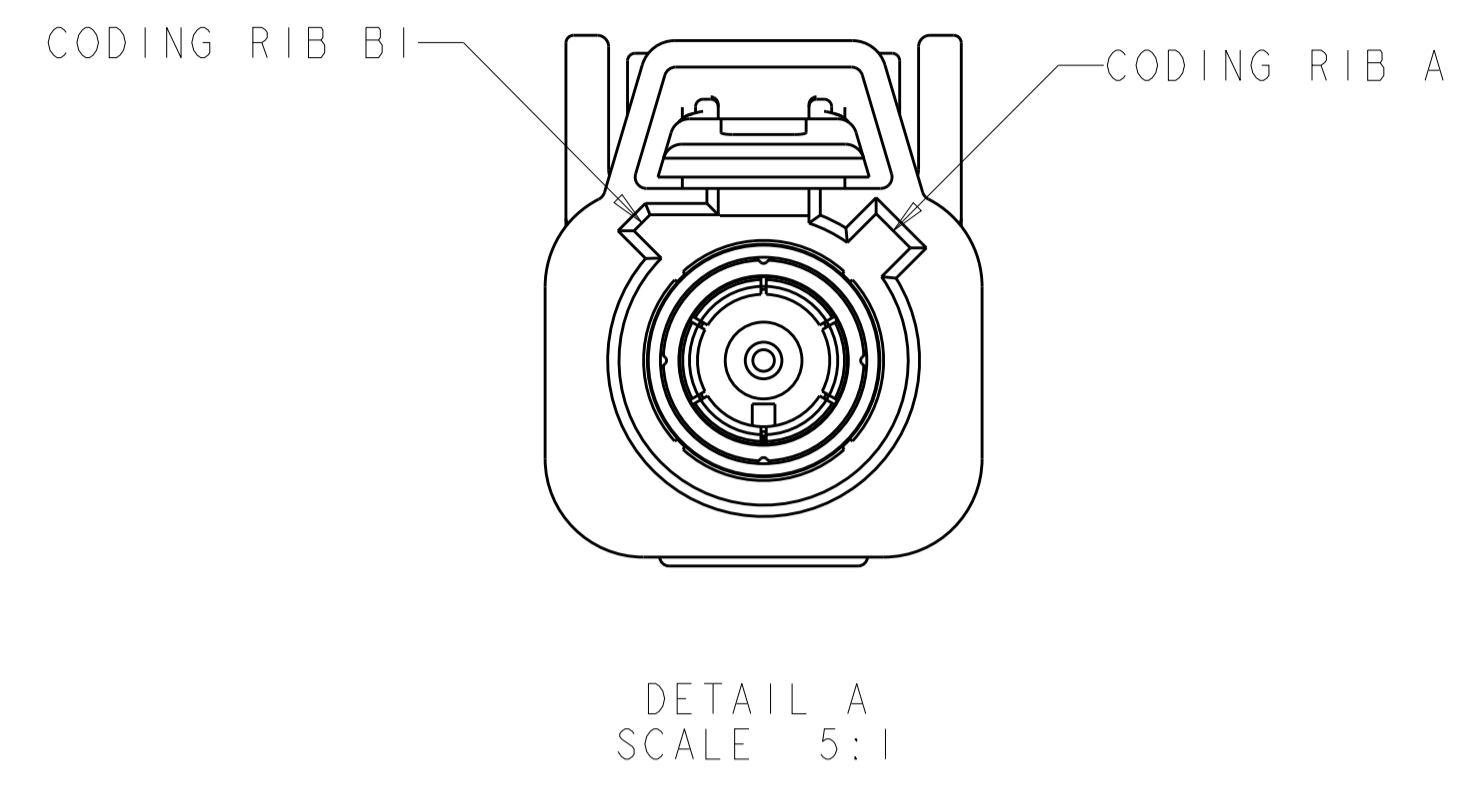
CUSTOMER DRAWING SCALE: 5:1 SHEET 1 OF 2 REV: F2

STE TE Connectivity

NAME: PLUG KIT, UNASSEMBLED, 1 POSITION, MINI 59, RG-58 OR RG-58 LL, 180 DEGREE, FAKRA, SMB

SIZE: A100779 CAGE CODE: 1438919

LOC		DIST		REVISIONS				
1	N	00	P	LTN	DESCRIPTION	DATE	DWN	APVD
					SEE SHEET 1			



THIS DRAWING IS A CONTROLLED DOCUMENT.		DWN D. J. HARDY 04JAN2005	TE Connectivity
DIMENSIONS:		CHK J. W. HALL 27JAN2005	
mm	TOLERANCES UNLESS OTHERWISE SPECIFIED:	APVD J. W. HALL 27JAN2005	NAME PLUG KIT, UNASSEMBLED, 1 POSITION, MINI 59, RG-58 OR RG-58 LL, 180 DEGREE, FAKRA, SMB
0 PLC ±	1 PLC ±	PRODUCT SPEC	SIZE A1
2 PLC ±0.25	3 PLC ±	APPLICATION SPEC	CAGE CODE 114-13157
4 PLC ±	ANGLES ±	WEIGHT	DRAWING NO 100779
MATERIAL	FINISH	CUSTOMER DRAWING	DRAWING NO C=1438919
		SCALE 5:1	SHEET 2 OF 2
			REV F2