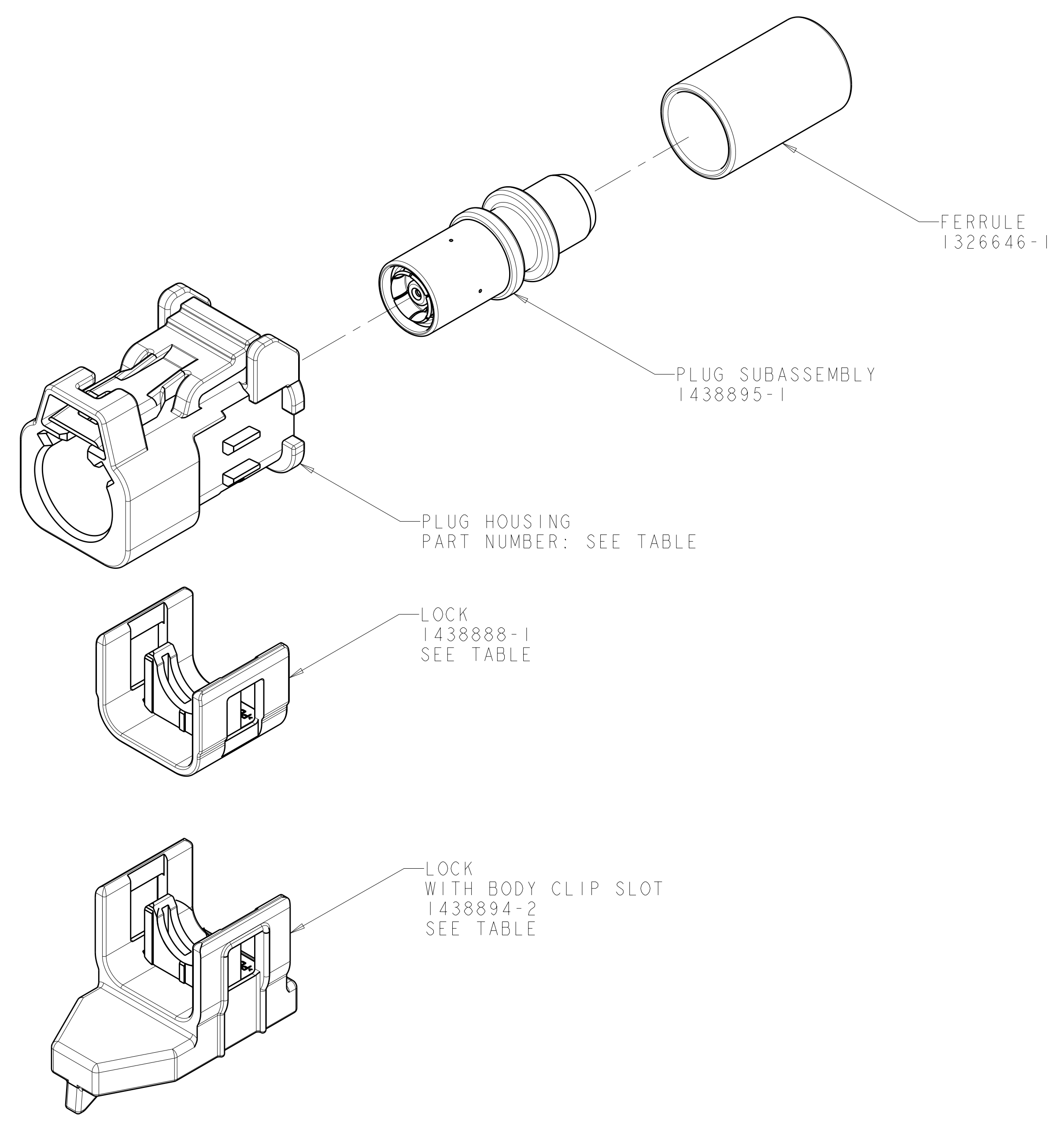
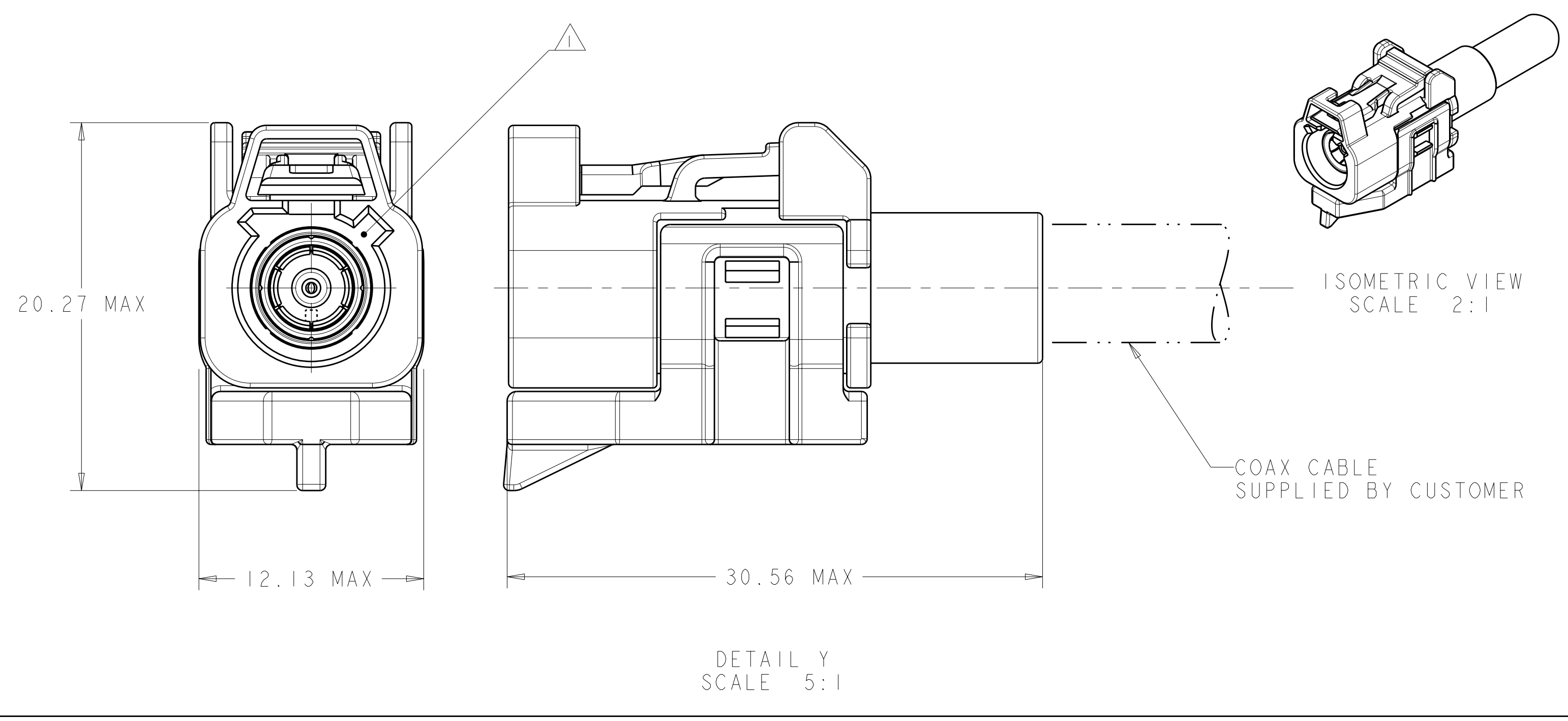
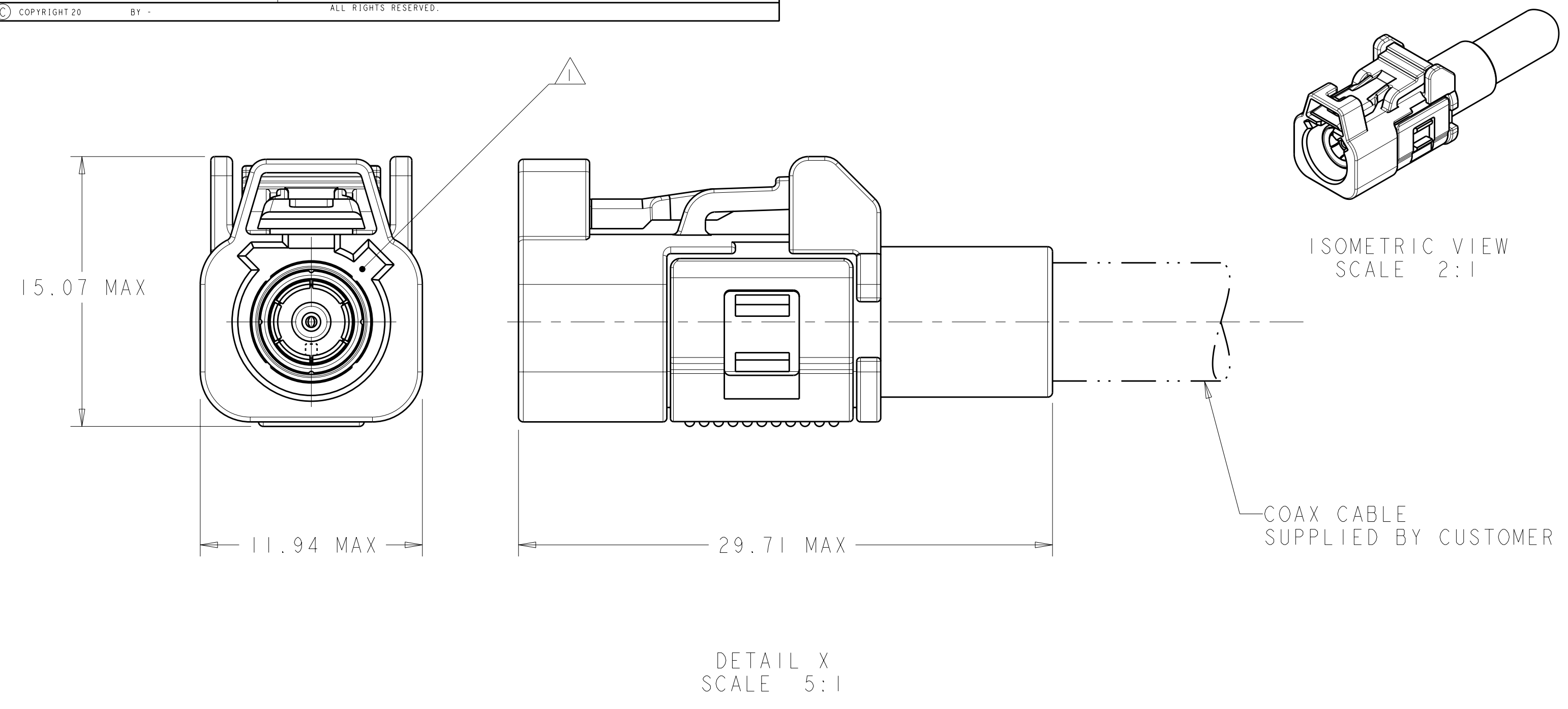
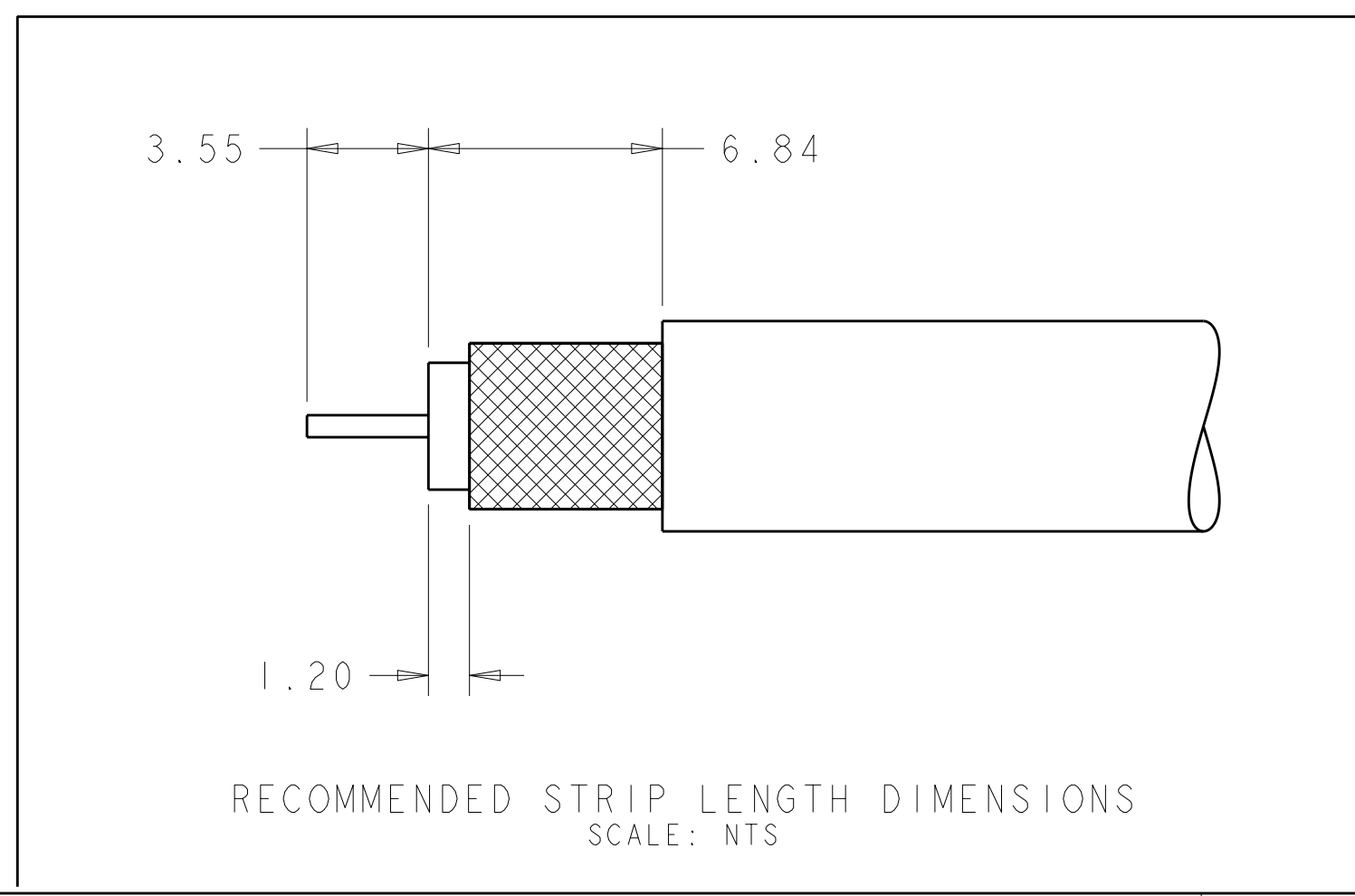


LOC	DIST	REV	DATE	BY	APPV
IN	00				
D			06 JUN 2007	AH	LV
D1			05 MAR 2012	WP	LV



⚠ PLUG ACCEPTS JACKS MEETING DIN 72594-1, ROAD VEHICLES - RADIO FREQUENCY INTERFACE - DIMENSIONS AND ELECTRICAL REQUIREMENTS.

2. PLUG SUBASSEMBLY WILL ACCEPT RG-62U/M COAXIAL CABLE.
3. SEE INSTRUCTION SHEET 408-10028.
4. SPACER 1274233-1 MUST BE PURCHASED SEPERATELY.
5. SOCKET CONTACT 1438896-6 MUST BE PURCHASED SEPERATELY.



PER DETAIL Y	PER DETAIL K	K	GRAY	1438894-2	CURRY	1-1438893-0	6-1438922-0
PER DETAIL Y	PER DETAIL H	H	GRAY	1438894-2	HEATHER VIOLET	1438893-8	5-1438922-8
PER DETAIL Y	PER DETAIL D	D	GRAY	1438894-2	CLARET VIOLET	1438893-4	5-1438922-4
PER DETAIL X	PER DETAIL C	C	GRAY	1438894-2	SIGNAL BLUE	1438893-3	5-1438922-3
PER DETAIL Y	PER DETAIL B	B	GRAY	1438894-2	SIGNAL WHITE	1438893-2	5-1438922-2
<b>OBSOLETE</b>	-	-	-	-	-	-	5-1438922-1
PER DETAIL X	PER DETAIL K	K	RED	1438888-1	CURRY	1-1438893-0	1-1438922-0
PER DETAIL X	PER DETAIL H	H	RED	1438888-1	HEATHER VIOLET	1438893-8	1438922-8
PER DETAIL X	PER DETAIL D	D	RED	1438888-1	CLARET VIOLET	1438893-4	1438922-4
PER DETAIL X	PER DETAIL C	C	RED	1438888-1	SIGNAL BLUE	1438893-3	1438922-3
PER DETAIL X	PER DETAIL B	B	RED	1438888-1	SIGNAL WHITE	1438893-2	1438922-2
<b>OBSOLETE</b>	-	-	-	-	-	-	1438922-1
ASSEMBLY	KEYING	CODING	LOCK COLOR	LOCK PART NUMBER	HOUSING COLOR	PLUG HOUSING PART NUMBER	PART NUMBER

THIS DRAWING IS A CONTROLLED DOCUMENT.

DIMENSIONS: mm  
 TOLERANCES UNLESS OTHERWISE SPECIFIED:  
 9 PLC ±  
 1 PLC ±0.25  
 5 PLC ±  
 4 PLC ±  
 ANGLES ±  
 FINISH

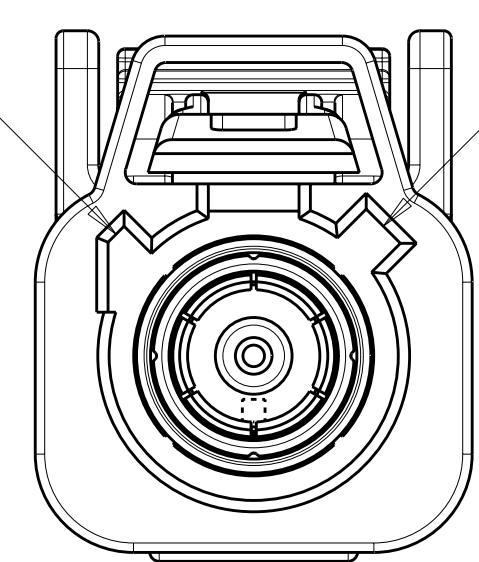
DWN: D. J. HARDY 04JAN2005  
 CHK: J. W. HALL 19JAN2005  
 APPV: J. W. HALL 19JAN2005

**STE** TE Connectivity  
 NAME: PLUG KIT, UNASSEMBLED, 1 POSITION, RG-62U/M, 180 DEGREE, FAKRA, SMB  
 PRODUCT SPEC: -  
 APPLICATION SPEC: 114-13157  
 WEIGHT: -  
 CUSTOMER DRAWING

SIZE: A1  
 CAGE CODE: 100779  
 DRAWING NO: 1438922  
 SCALE: 4:1  
 SHEET: 1 OF 2  
 REV: D1

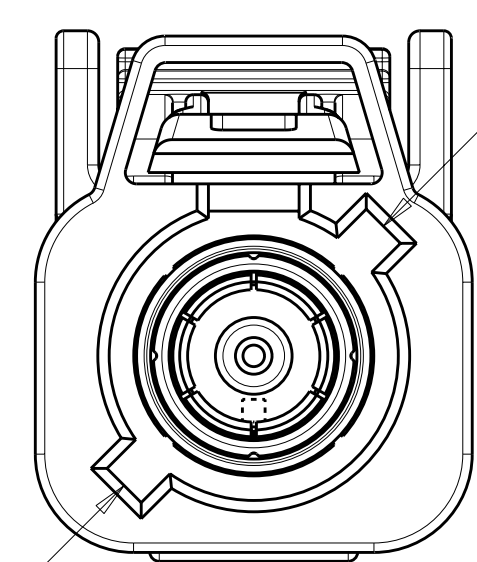
LOC		DIST		REVISIONS			
P	LTB	DESCRIPTION	DATE	DWN	APVD		
-	-	SEE SHEET 1	-	-	-		

CODING RIB B2 CODING RIB A



DETAIL B  
SCALE 5:1

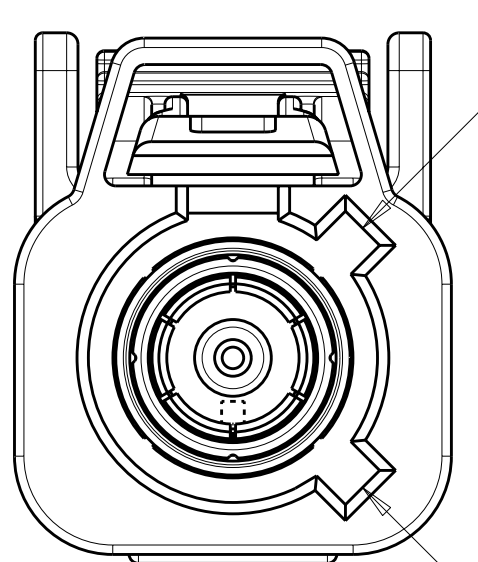
CODING RIB A



DETAIL C  
SCALE 5:1

CODING RIB C

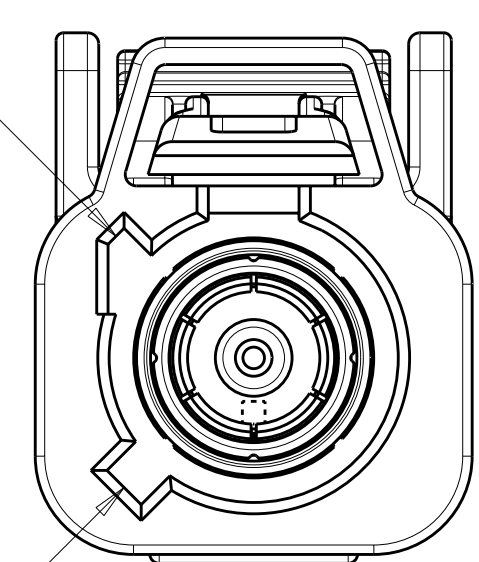
CODING RIB A



DETAIL D  
SCALE 5:1

CODING RIB D

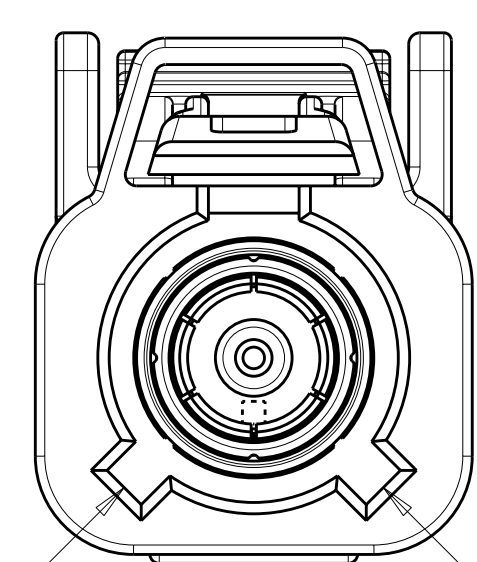
CODING RIB B2



DETAIL H  
SCALE 5:1


CODING RIB C

CODING RIB C



DETAIL K  
SCALE 5:1

CODING RIB D

THIS DRAWING IS A CONTROLLED DOCUMENT.		DWN D. J. HARDY 04JAN2005	 TE Connectivity																						
DIMENSIONS:		CHK J. W. HALL 19JAN2005																							
mm	TOLERANCES UNLESS OTHERWISE SPECIFIED:	APVD J. W. HALL 19JAN2005	NAME PLUG KIT, UNASSEMBLED, 1 POSITION, RG-62U/M, 180 DEGREE, FAKRA, SMB																						
<table border="1"> <tr><td>9 PLC</td><td>±</td></tr> <tr><td>1 PLC</td><td>±</td></tr> <tr><td>2 PLC</td><td>±0.25</td></tr> <tr><td>3 PLC</td><td>±</td></tr> <tr><td>4 PLC</td><td>±</td></tr> <tr><td>ANGLES</td><td>±</td></tr> <tr><td>FINISH</td><td>±</td></tr> </table>	9 PLC	±	1 PLC	±	2 PLC	±0.25	3 PLC	±	4 PLC	±	ANGLES	±	FINISH	±	<table border="1"> <tr><td>SIZE</td><td>CAGE CODE</td><td>DRAWING NO</td><td>RESTRICTED TO</td></tr> <tr><td>A100779</td><td>C=1438922</td><td></td><td></td></tr> </table>	SIZE	CAGE CODE	DRAWING NO	RESTRICTED TO	A100779	C=1438922			CUSTOMER DRAWING	
9 PLC	±																								
1 PLC	±																								
2 PLC	±0.25																								
3 PLC	±																								
4 PLC	±																								
ANGLES	±																								
FINISH	±																								
SIZE	CAGE CODE	DRAWING NO	RESTRICTED TO																						
A100779	C=1438922																								
MATERIAL	WEIGHT	SCALE 4:1	SHEET 2 OF 2	REV D1																					