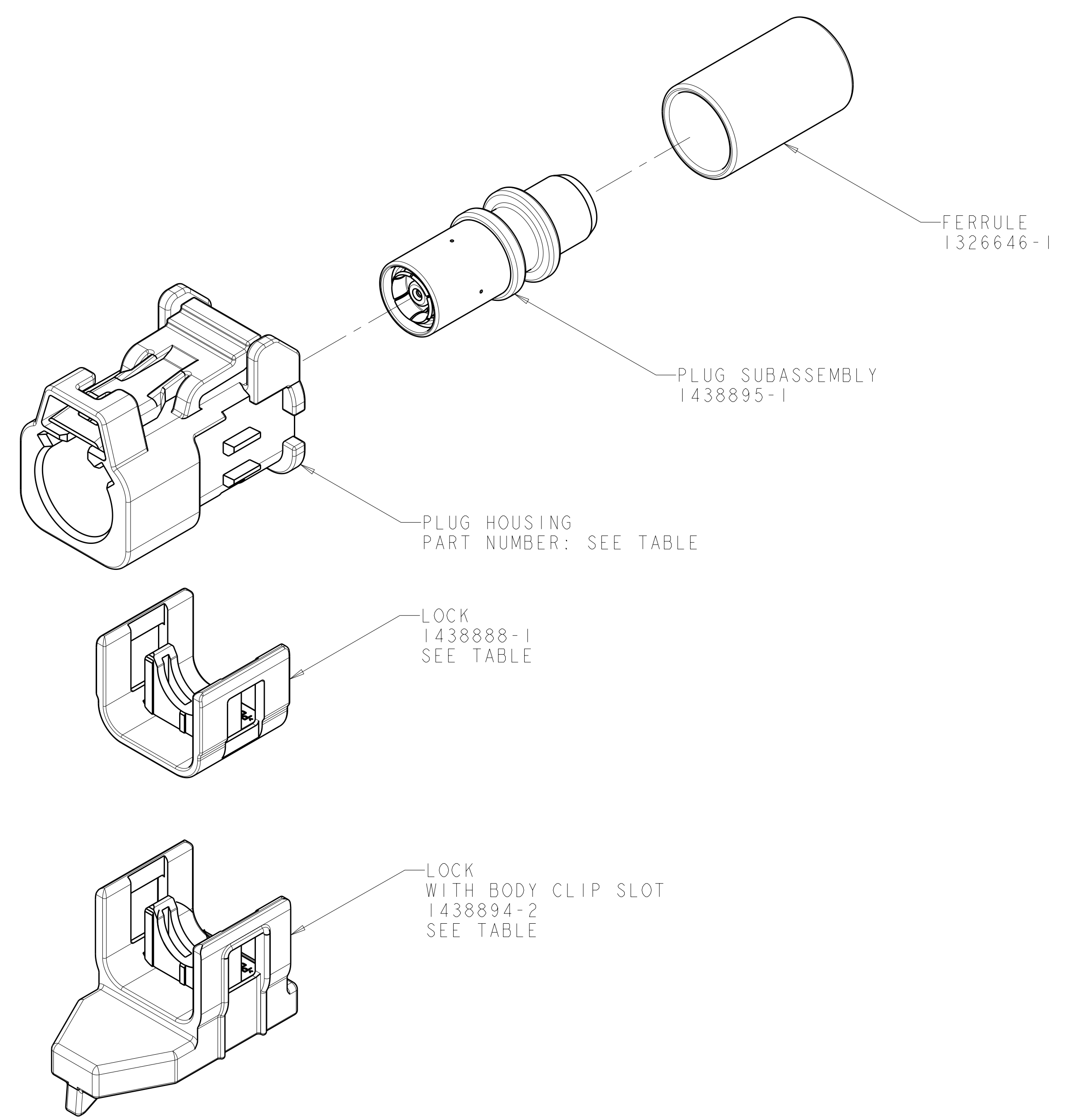
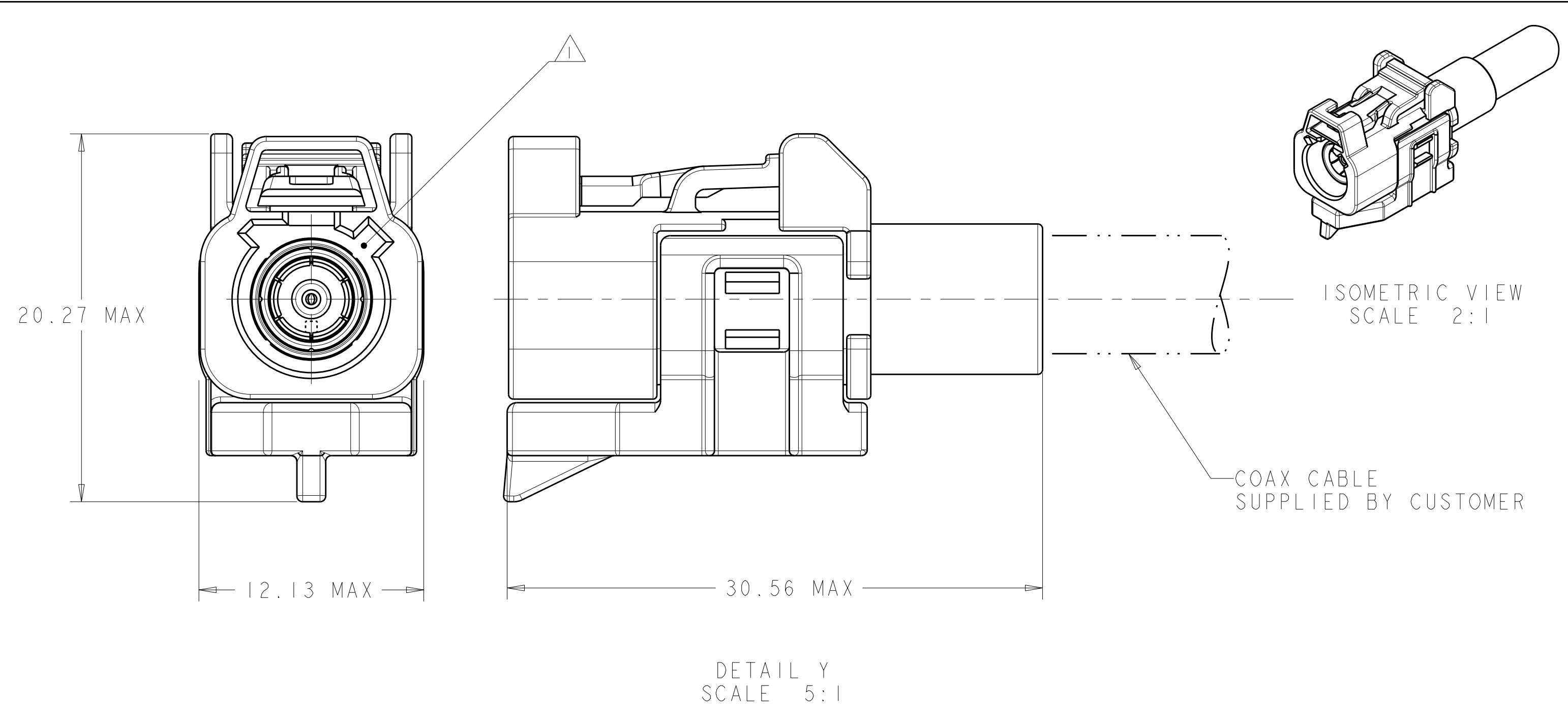
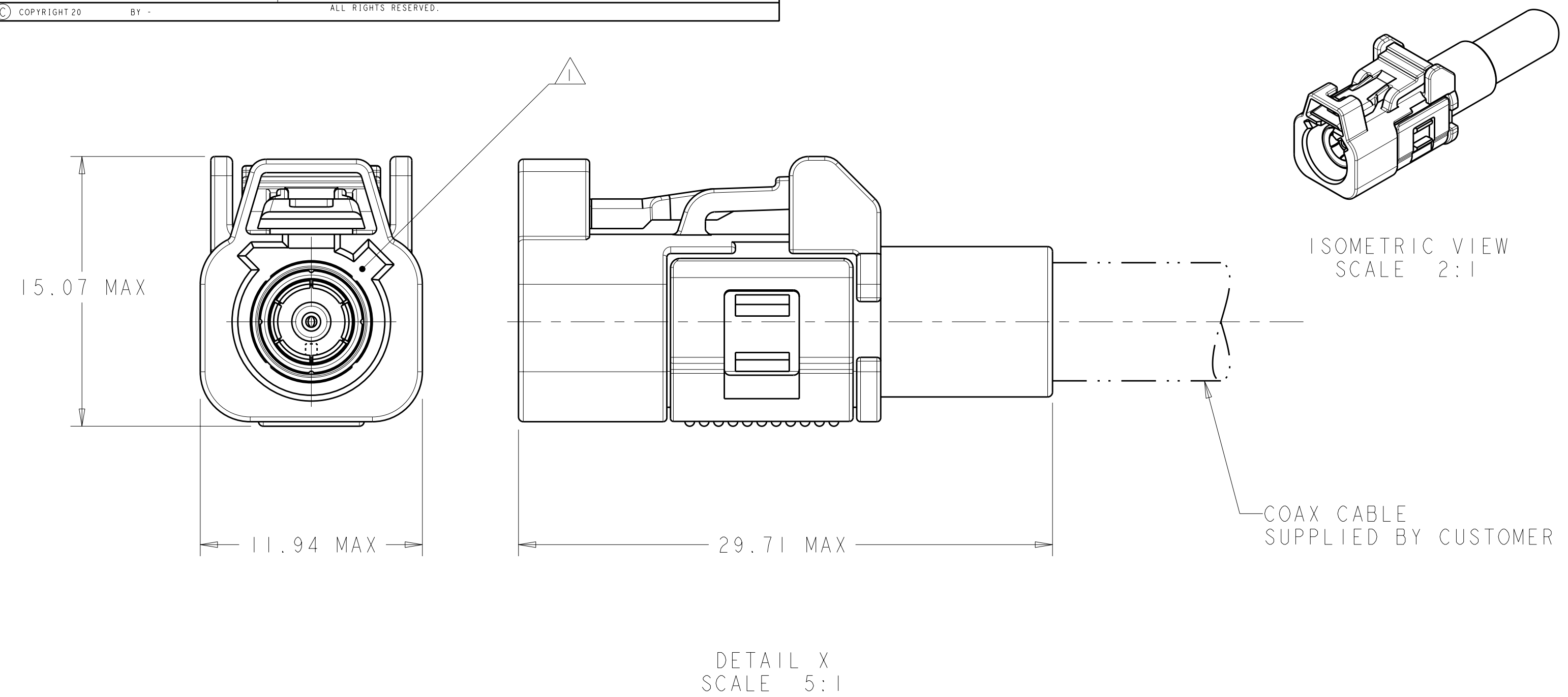
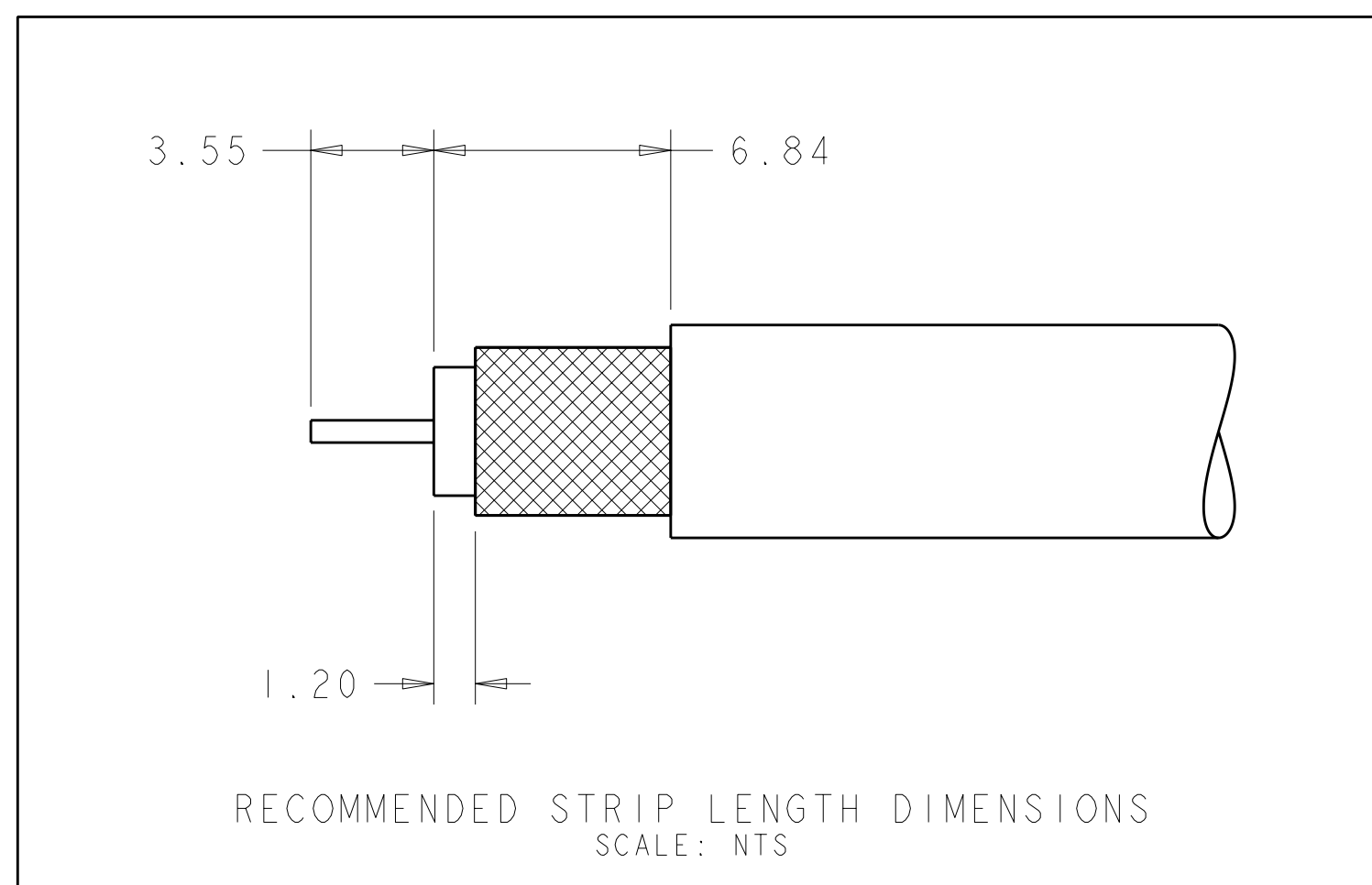


LOC	DIST	REV	DATE	BY	APPV
IN	00				
D			06 JUN 2007	AH	LV
D1			05 MAR 2012	WP	LV



⚠️ PLUG ACCEPTS JACKS MEETING DIN 72594-1, ROAD VEHICLES - RADIO FREQUENCY INTERFACE - DIMENSIONS AND ELECTRICAL REQUIREMENTS.

2. PLUG SUBASSEMBLY WILL ACCEPT RG-62U/M COAXIAL CABLE.
3. SEE INSTRUCTION SHEET 408-10028.
4. SPACER 1274233-1 MUST BE PURCHASED SEPERATELY.
5. SOCKET CONTACT 1438896-6 MUST BE PURCHASED SEPERATELY.



PER DETAIL	PER DETAIL	KEYING	LOCK COLOR	LOCK PART NUMBER	HOUSING COLOR	PLUG HOUSING PART NUMBER	PART NUMBER
PER DETAIL Y	PER DETAIL K	K	GRAY	1438894-2	CURRY	1-1438893-0	6-1438922-0
PER DETAIL Y	PER DETAIL H	H	GRAY	1438894-2	HEATHER VIOLET	1438893-8	5-1438922-8
PER DETAIL Y	PER DETAIL D	D	GRAY	1438894-2	CLARET VIOLET	1438893-4	5-1438922-4
PER DETAIL Y	PER DETAIL C	C	GRAY	1438894-2	SIGNAL BLUE	1438893-3	5-1438922-3
PER DETAIL Y	PER DETAIL B	B	GRAY	1438894-2	SIGNAL WHITE	1438893-2	5-1438922-2
OBSELETE	-	-	-	-	-	-	5-1438922-1
PER DETAIL X	PER DETAIL K	K	RED	1438888-1	CURRY	1-1438893-0	1-1438922-0
PER DETAIL X	PER DETAIL H	H	RED	1438888-1	HEATHER VIOLET	1438893-8	1438922-8
PER DETAIL X	PER DETAIL D	D	RED	1438888-1	CLARET VIOLET	1438893-4	1438922-4
PER DETAIL X	PER DETAIL C	C	RED	1438888-1	SIGNAL BLUE	1438893-3	1438922-3
PER DETAIL X	PER DETAIL B	B	RED	1438888-1	SIGNAL WHITE	1438893-2	1438922-2
OBSELETE	-	-	-	-	-	-	1438922-1

THIS DRAWING IS A CONTROLLED DOCUMENT.

OWN: D. J. HARDY 04JAN2005
 CHG: J. W. HALL 19JAN2005
 APPV: J. W. HALL 19JAN2005

STE TE Connectivity

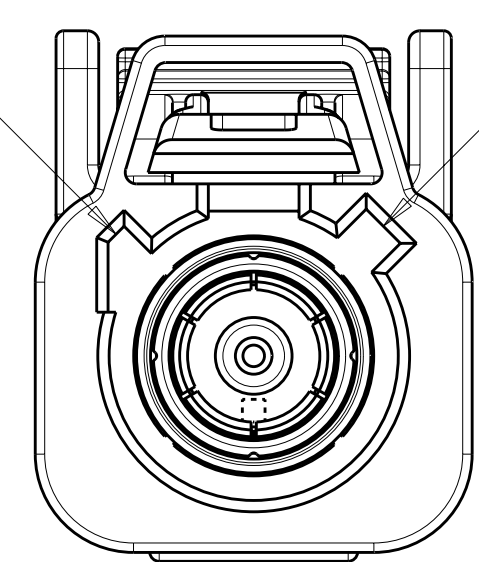
NAME: PLUG KIT, UNASSEMBLED, 1 POSITION, RG-62U/M, 180 DEGREE, FAKRA, SMB

PRODUCT SPEC: -
 APPLICATION SPEC: -
 SIZE: 114-13157
 WEIGHT: -
 MATERIAL: -
 FINISH: -

SCALE: 4:1 SHEET 1 OF 2 REV: D1

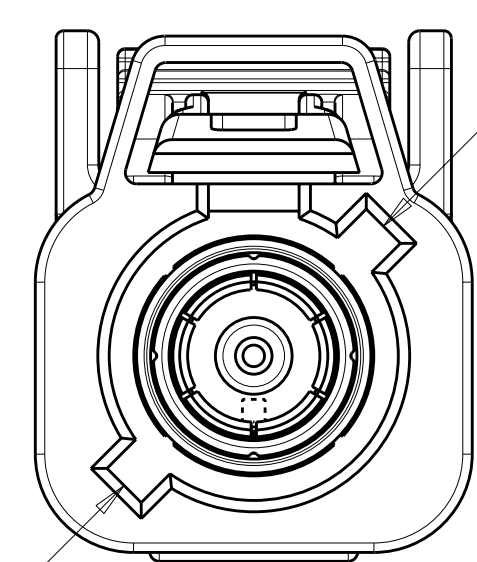
LOC		DIST		REVISIONS			
P	LTB	DESCRIPTION	DATE	DWN	APVD		
-	-	SEE SHEET 1	-	-	-		

CODING RIB B2 CODING RIB A



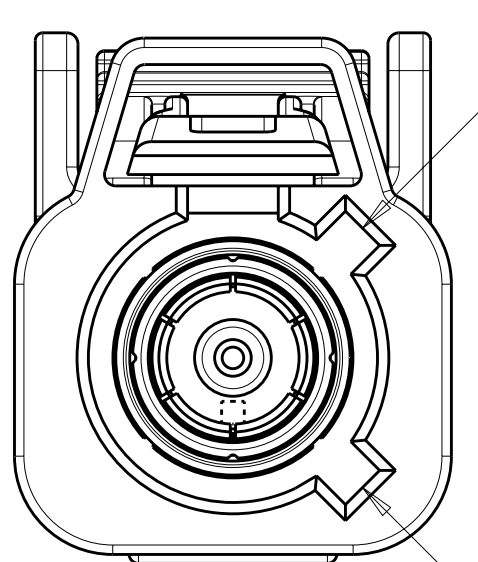
DETAIL B
SCALE 5:1

CODING RIB A



DETAIL C
SCALE 5:1

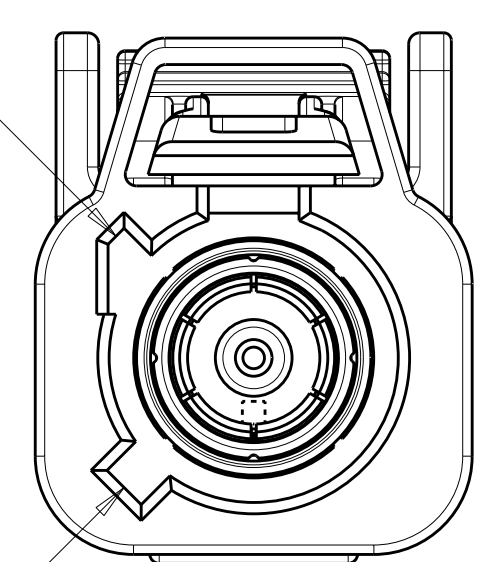
CODING RIB A



DETAIL D
SCALE 5:1

CODING RIB D

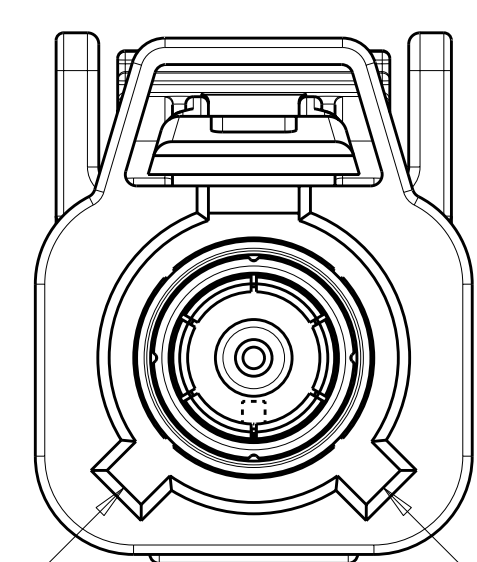
CODING RIB B2



DETAIL H
SCALE 5:1


CODING RIB C

CODING RIB C



DETAIL K
SCALE 5:1

CODING RIB D

THIS DRAWING IS A CONTROLLED DOCUMENT.		DWN D. J. HARDY 04JAN2005	 TE Connectivity															
DIMENSIONS:		CHK J. W. HALL 19JAN2005																
mm	TOLERANCES UNLESS OTHERWISE SPECIFIED:	APVD J. W. HALL 19JAN2005	NAME PLUG KIT, UNASSEMBLED, 1 POSITION, RG-62U/M, 180 DEGREE, FAKRA, SMB															
<table border="1"> <tr> <td>9 PLC</td> <td>±</td> </tr> <tr> <td>1 PLC</td> <td>±</td> </tr> <tr> <td>2 PLC</td> <td>±0.25</td> </tr> <tr> <td>3 PLC</td> <td>±</td> </tr> <tr> <td>4 PLC</td> <td>±</td> </tr> <tr> <td>ANGLES</td> <td>±</td> </tr> <tr> <td>FINISH</td> <td>±</td> </tr> </table>	9 PLC	±	1 PLC	±	2 PLC	±0.25	3 PLC	±	4 PLC	±	ANGLES	±	FINISH	±		PRODUCT SPEC	SIZE CAGE CODE DRAWING NO. RESTRICTED TO	
9 PLC	±																	
1 PLC	±																	
2 PLC	±0.25																	
3 PLC	±																	
4 PLC	±																	
ANGLES	±																	
FINISH	±																	
MATERIAL		APPLICATION SPEC	A100779C=1438922															
		114-13157	SCALE 4:1 SHEET 2 OF 2 REV D1															
		WEIGHT	CUSTOMER DRAWING															