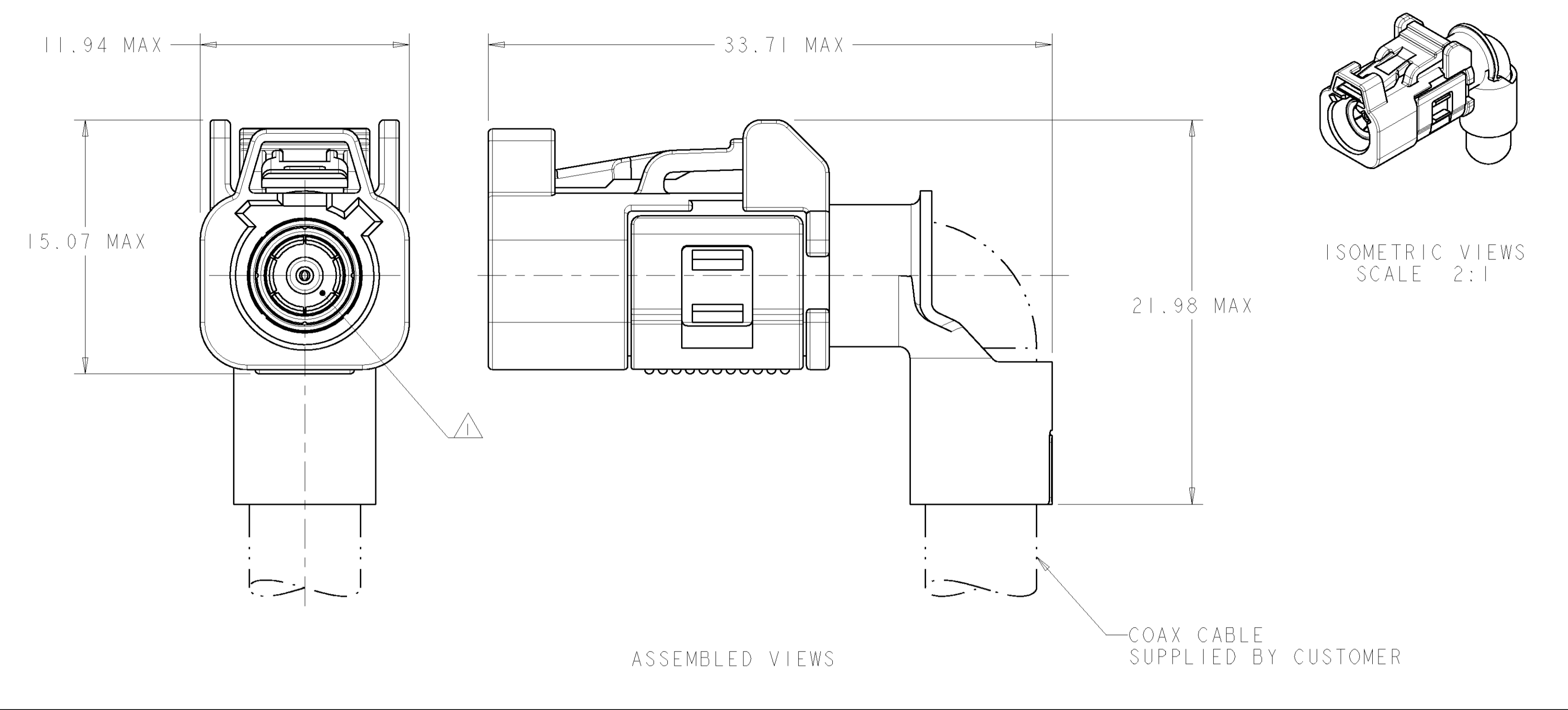
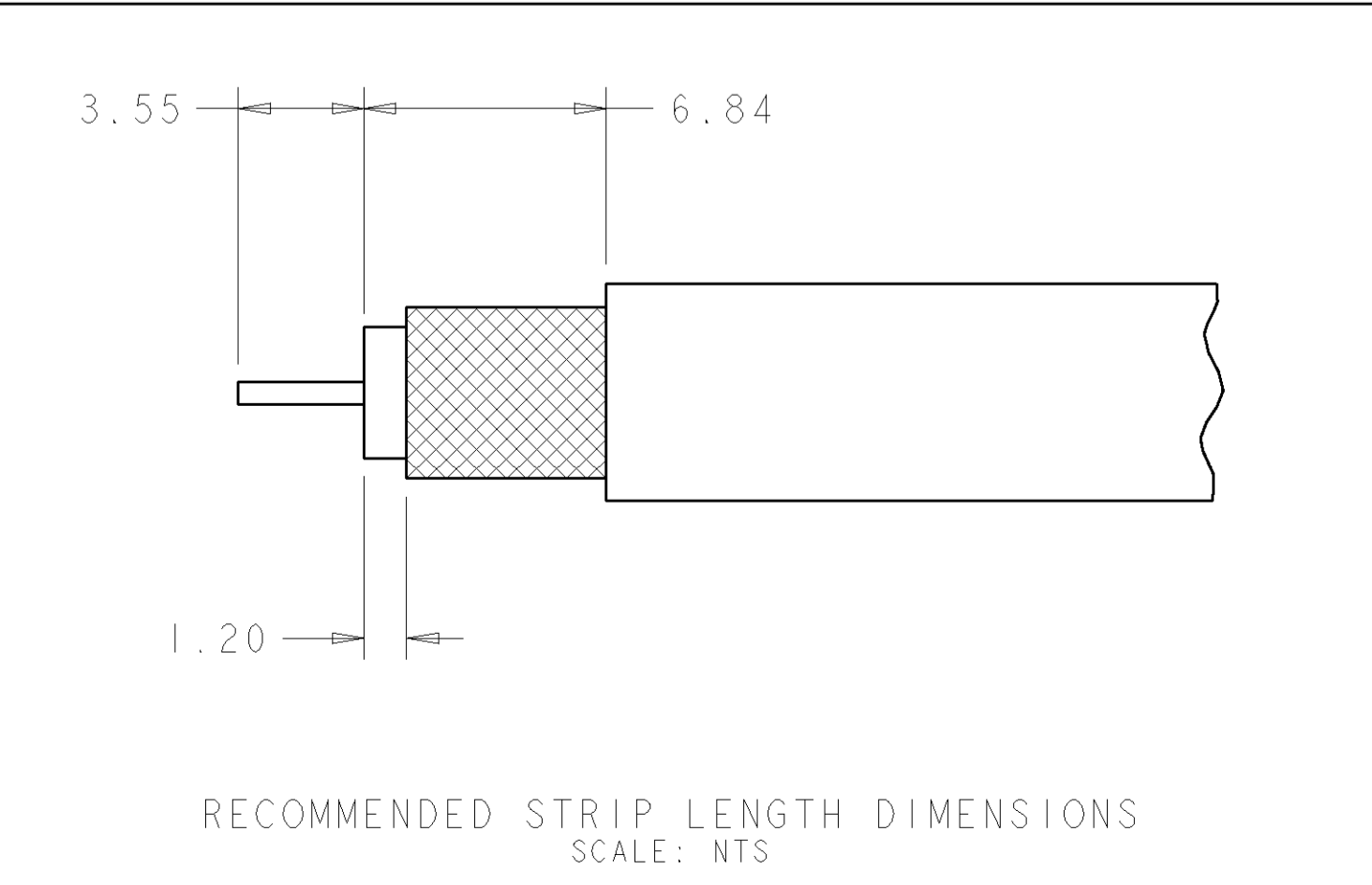
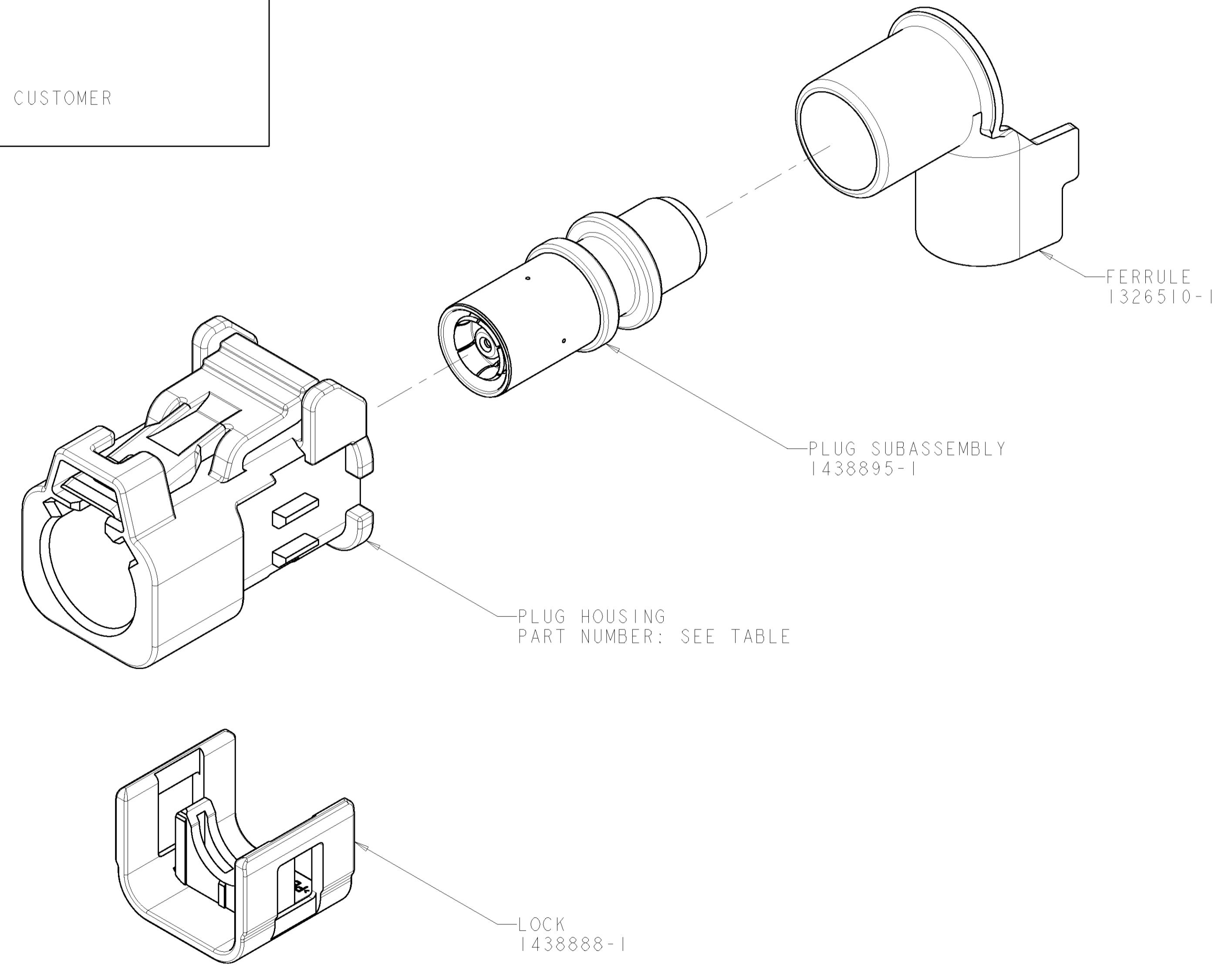


LOC	DIST	REVISIONS					
		P	LTR	DESCRIPTION	DATE	DWN	APVD
IN	00	A		RELEASED PER ECO-05-6684	29AUG2005	DJH	JMR
		B		REVISED PER ECO-05-15405	07DEC2005	DJH	JMR
		C		REVISED PER ECO-06-2101	13MAR2006	DJH	JMR



- 1. PLUG ACCEPTS JACKS MEETING DIN 72594-1, ROAD VEHICLES - RADIO FREQUENCY INTERFACE - DIMENSIONS AND ELECTRICAL REQUIREMENTS.
- 2. PLUG SUBASSEMBLY WILL ACCEPT RG-62U/M COAXIAL CABLE.
- 3. SEE INSTRUCTION SHEET 408-10028.
- 4. SPACER 1274233-1 MUST BE PURCHASED SEPERATELY.
- 5. SOCKET CONTACT 1438896-6 MUST BE PURCHASED SEPERATELY.

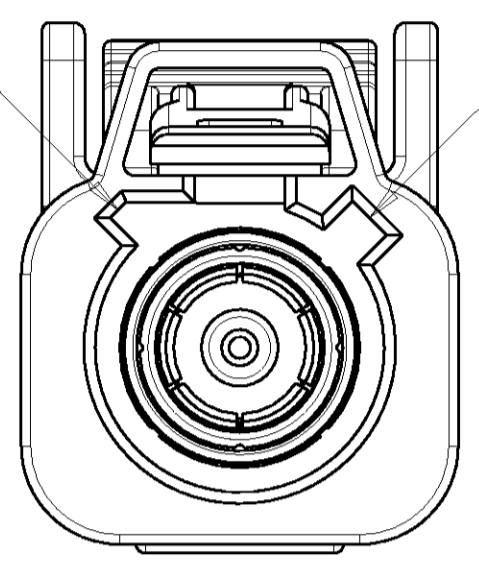


PER DETAIL K	K	CURRY	1-1438923-0
PER DETAIL H	H	HEATHER VIOLET	1438923-8
PER DETAIL D	D	CLARET VIOLET	1438923-4
PER DETAIL C	C	SIGNAL BLUE	1438923-3
PER DETAIL B	B	SIGNAL WHITE	1438923-2
PER DETAIL A	A	JET BLACK	1438923-1
KEYING	KEY CODING	HOUSING COLOR	PART NUMBER

<small>THIS DRAWING IS UNPUBLISHED. RELEASED FOR PUBLICATION BY TYCO ELECTRONICS CORPORATION. ALL RIGHTS RESERVED.</small>		DWN: D. J. HARDY 05JAN2005 CHK: J. W. HALL 17JAN2005 APVD: J. W. HALL 17JAN2005	tyco Electronics Tyco Electronics Harrisburg, PA 17105-3608
DIMENSIONS: mm TOLERANCES UNLESS OTHERWISE SPECIFIED: 0 PLC ± 1 PLC ± 2 PLC ±0.25 3 PLC ± 4 PLC ± ANGLES ± FINISH		NAME: PLUG KIT, UNASSEMBLED, 1 POSITION, RG-62U/M, 90 DEGREE, FAKRA, SMB PRODUCT SPEC: APPLICATION SPEC: 114-13157 WEIGHT: CUSTOMER DRAWING	SIZE: A1 CAGE CODE: 00779 DRAWING NO: 1438923 RESTRICTED TO: C SCALE: 5:1 SHEET: 1 OF 2 REV:

LOC	DIST	P	LTR	DESCRIPTION	DATE	DWN	APVD
IN	00	-	-	SEE SHEET 1	-	-	-

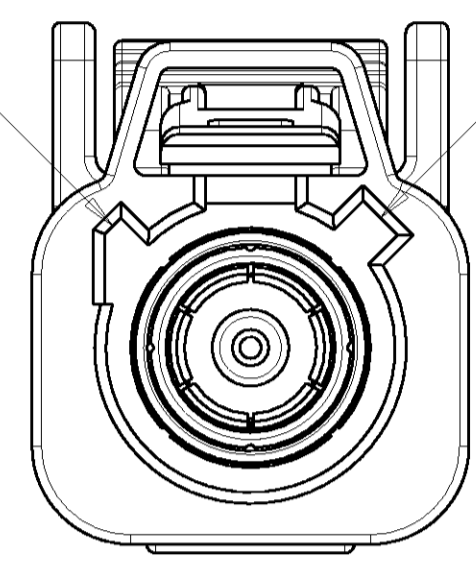
CODING RIB B1



DETAIL A

CODING RIB A

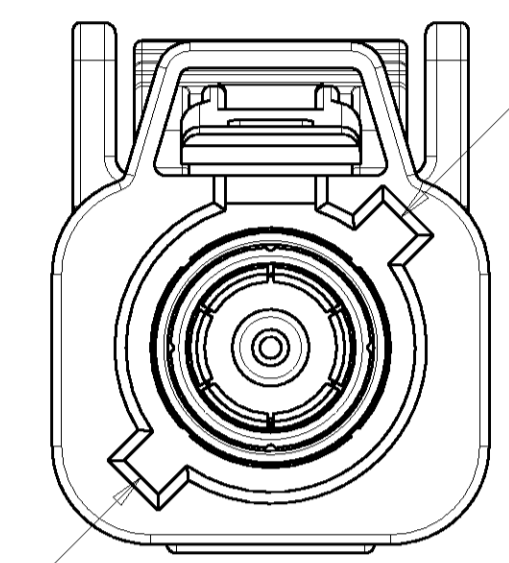
CODING RIB B2



DETAIL B

CODING RIB A

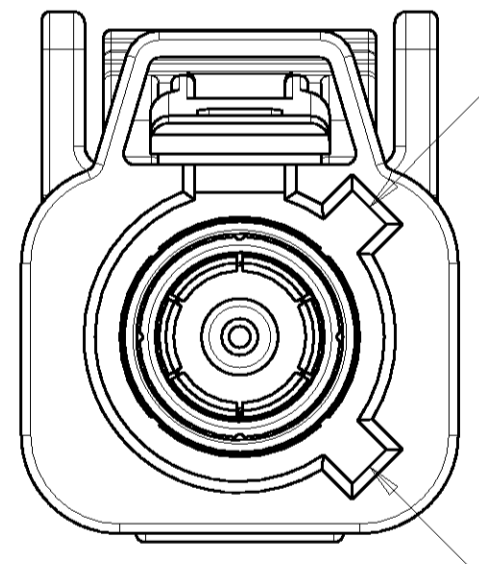
CODING RIB C



DETAIL C

CODING RIB A

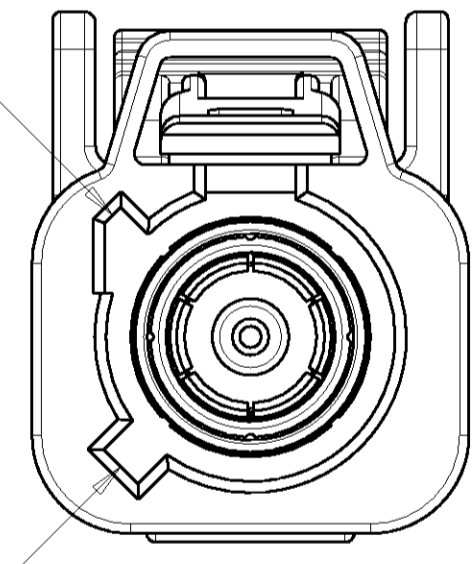
CODING RIB A



DETAIL D

CODING RIB D

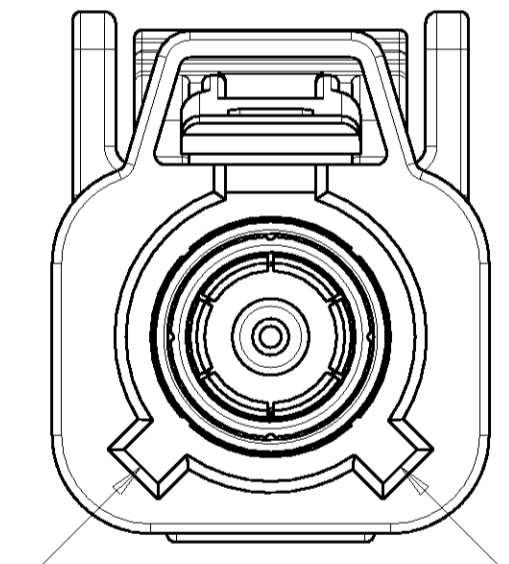
CODING RIB B2



DETAIL H

CODING RIB C

CODING RIB C



DETAIL K

CODING RIB D

<small>THE INFORMATION CONTAINED HEREIN IS UNCLASSIFIED EXCEPT WHERE SHOWN OTHERWISE. IT IS THE PROPERTY OF TYCO ELECTRONICS CORPORATION AND IS TO BE CONTAINED AND CONTROLLED BY THE USER'S ORGANIZATION UNLESS SO INDICATED BY THE USER'S ORGANIZATION.</small>		DWN: D. J. HARDY 05JAN2005 CHK: J. W. HALL 17JAN2005 APVD: J. W. HALL 17JAN2005	tyco Electronics Tyco Electronics Harrisburg, PA 17105-3608
DIMENSIONS: mm 	TOLERANCES UNLESS OTHERWISE SPECIFIED: 0 PLC ± 1 PLC ± 2 PLC ±0.25 3 PLC ± 4 PLC ± ANGLES ± FINISH -	NAME: PLUG KIT, UNASSEMBLED, 1 POSITION, RG-62U/M, 90 DEGREE, FAKRA, SMB PRODUCT SPEC - APPLICATION SPEC - WEIGHT - CUSTOMER DRAWING	SIZE: A CAGE CODE: 00779 DRAWING NO: C-1438923 RESTRICTED TO: - SCALE: 5:1 SHEET: 2 OF 2 REV: C