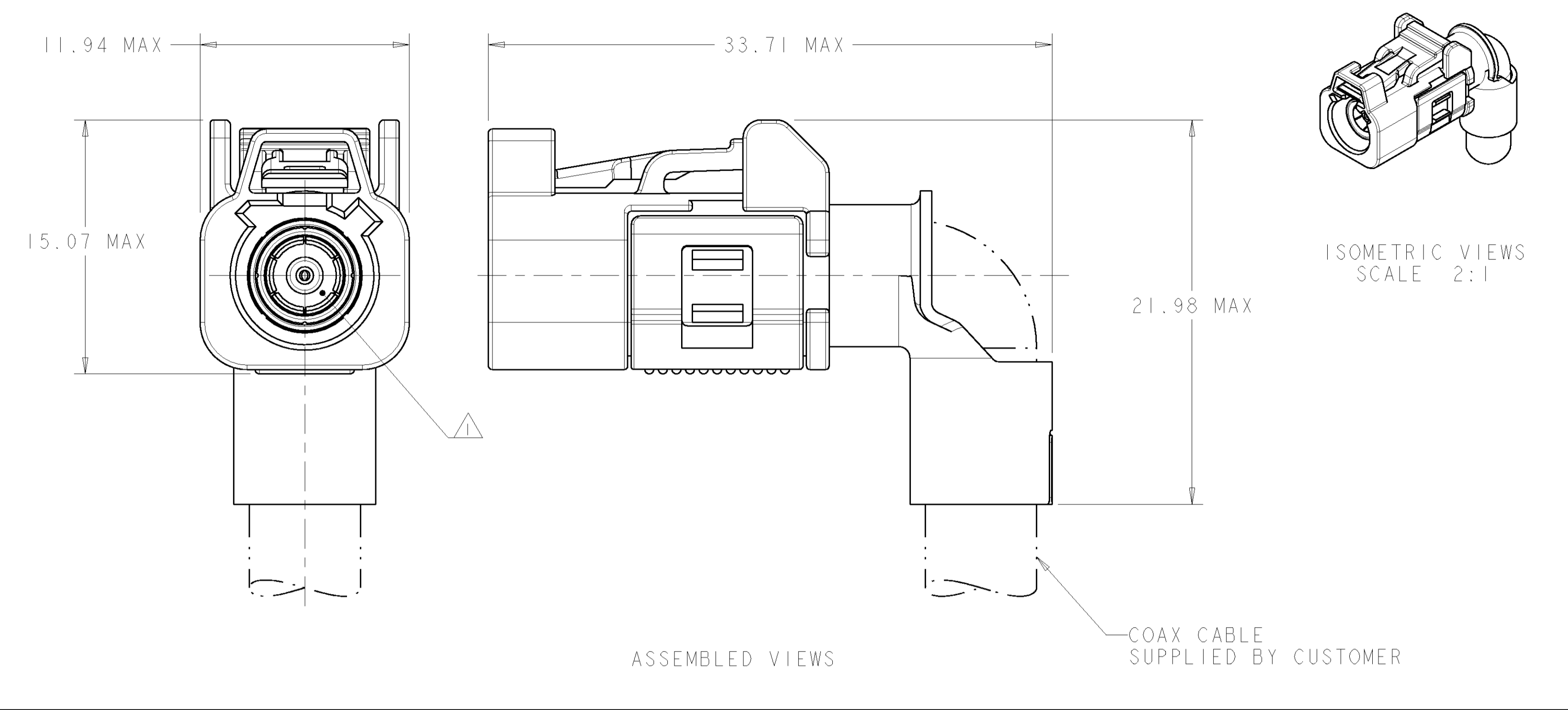
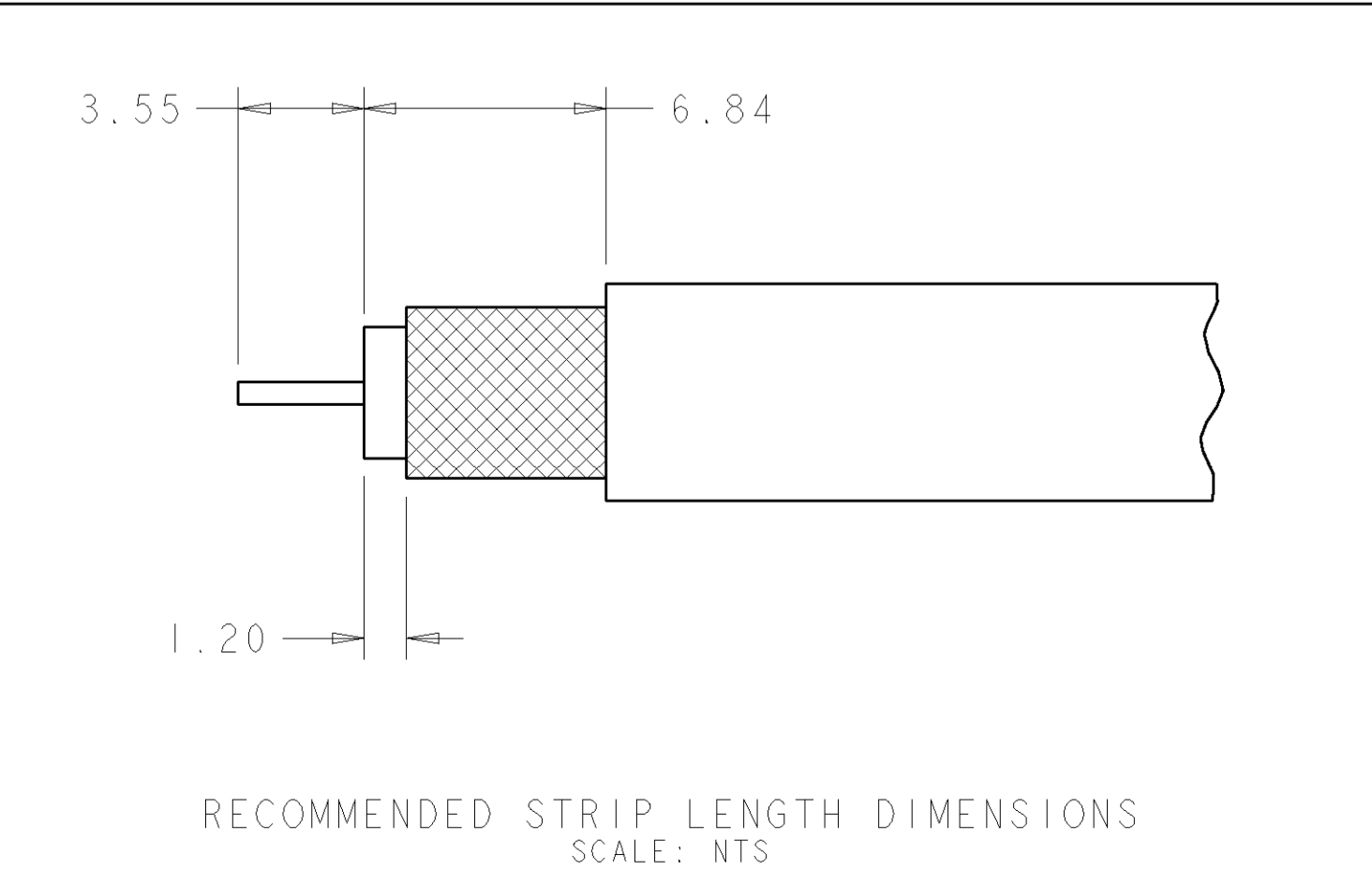
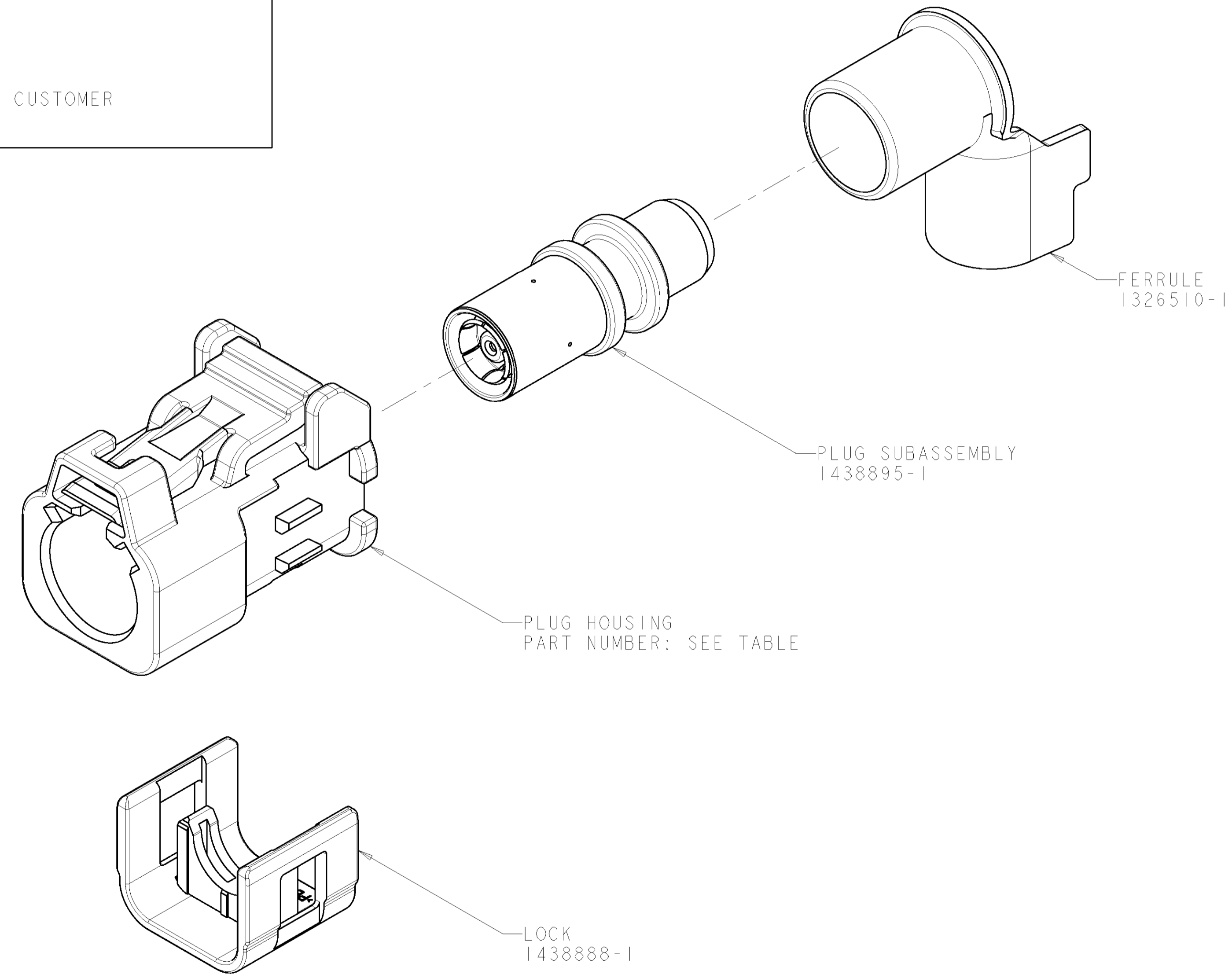


LOC	DIST	REVISIONS					
		P	LTR	DESCRIPTION	DATE	DWN	APVD
IN	00	A		RELEASED PER ECO-05-6684	29AUG2005	DJH	JMR
		B		REVISED PER ECO-05-15405	07DEC2005	DJH	JMR
		C		REVISED PER ECO-06-2101	13MAR2006	DJH	JMR



- 1. PLUG ACCEPTS JACKS MEETING DIN 72594-1, ROAD VEHICLES - RADIO FREQUENCY INTERFACE - DIMENSIONS AND ELECTRICAL REQUIREMENTS.
- 2. PLUG SUBASSEMBLY WILL ACCEPT RG-62U/M COAXIAL CABLE.
- 3. SEE INSTRUCTION SHEET 408-10028.
- 4. SPACER 1274233-1 MUST BE PURCHASED SEPERATELY.
- 5. SOCKET CONTACT 1438896-6 MUST BE PURCHASED SEPERATELY.

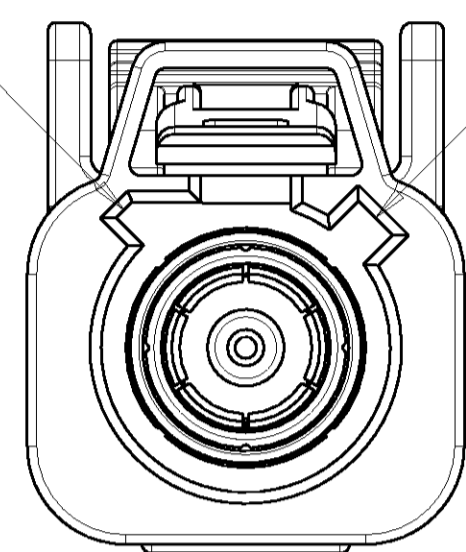


PER DETAIL K	K	CURRY	1-1438923-0
PER DETAIL H	H	HEATHER VIOLET	1438923-8
PER DETAIL D	D	CLARET VIOLET	1438923-4
PER DETAIL C	C	SIGNAL BLUE	1438923-3
PER DETAIL B	B	SIGNAL WHITE	1438923-2
PER DETAIL A	A	JET BLACK	1438923-1
KEYING	KEY CODING	HOUSING COLOR	PART NUMBER

<small>THIS DRAWING IS UNPUBLISHED. RELEASED FOR PUBLICATION BY TYCO ELECTRONICS CORPORATION. ALL RIGHTS RESERVED.</small>		DWN: D. J. HARDY 05JAN2005 CHK: J. W. HALL 17JAN2005 APVD: J. W. HALL 17JAN2005	tyco Electronics Tyco Electronics Harrisburg, PA 17105-3608
DIMENSIONS: mm TOLERANCES UNLESS OTHERWISE SPECIFIED: 0 PLC ± 1 PLC ±0.25 2 PLC ± 3 PLC ± 4 PLC ± ANGLES ± FINISH		NAME: PLUG KIT, UNASSEMBLED, 1 POSITION, RG-62U/M, 90 DEGREE, FAKRA, SMB PRODUCT SPEC: APPLICATION SPEC: 114-13157 WEIGHT: CUSTOMER DRAWING	SIZE: A1 CAGE CODE: 00779 DRAWING NO: C=1438923 RESTRICTED TO: C SCALE: 5:1 SHEET: 1 OF 2 REV: C

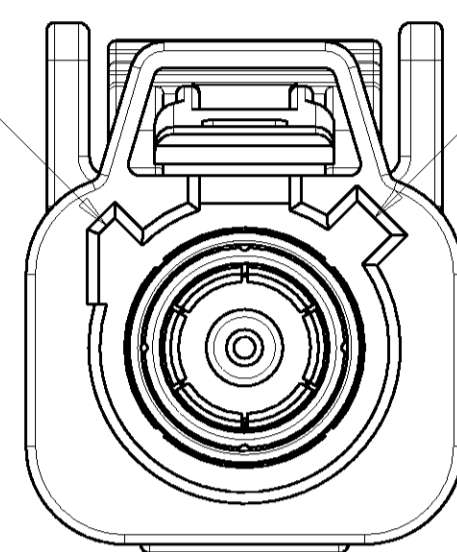
LOC	DIST	REVISIONS			
P	LTR	DESCRIPTION	DATE	DNW	APVD
-	-	SEE SHEET 1	-	-	-

CODING RIB B1 CODING RIB A



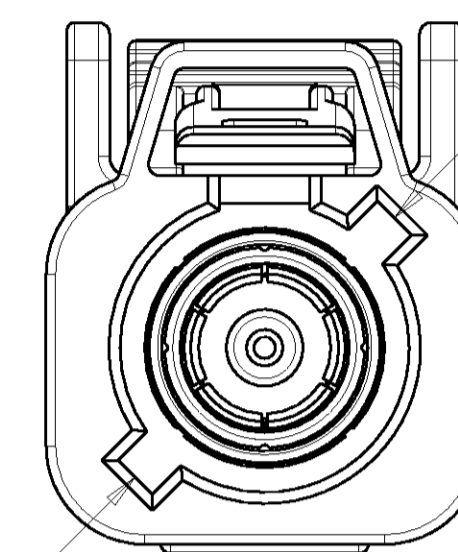
DETAIL A

CODING RIB B2 CODING RIB A



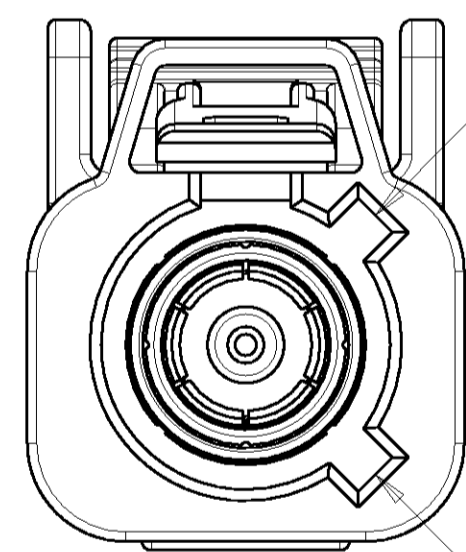
DETAIL B

CODING RIB C CODING RIB A



DETAIL C

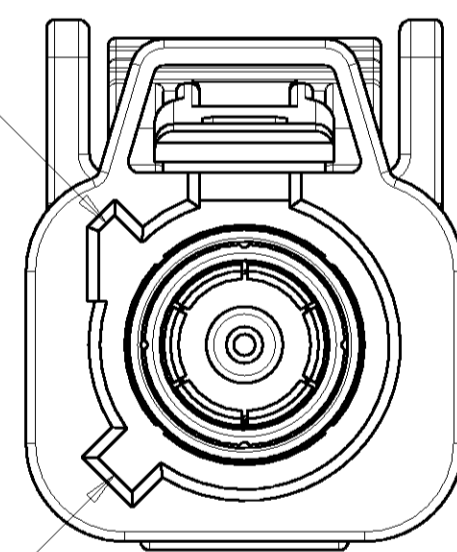
CODING RIB A



DETAIL D

CODING RIB D

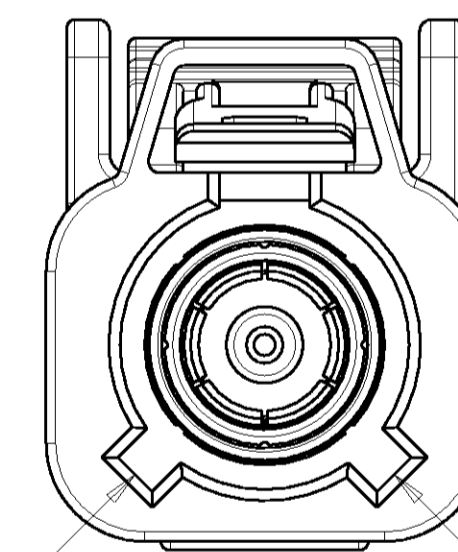
CODING RIB B2



DETAIL H

CODING RIB C

CODING RIB C CODING RIB D



DETAIL K

<small>THE INFORMATION CONTAINED HEREIN IS UNCLASSIFIED EXCEPT WHERE SHOWN OTHERWISE. IT IS THE POLICY OF TYCO ELECTRONICS CORPORATION TO RELEASE THIS INFORMATION TO THE EXTENT PERMITTED BY LAW.</small>		DWN: D. J. HARDY 05JAN2005 CHK: J. W. HALL 17JAN2005 APVD: J. W. HALL 17JAN2005	tyco Electronics Tyco Electronics Harrisburg, PA 17105-3608
DIMENSIONS: mm: 0 PLC ± 1 PLC ± 2 PLC ±0.25 3 PLC ± 4 PLC ± ANGLES ± FINISH ±		TOLERANCES UNLESS OTHERWISE SPECIFIED: 0 PLC ± 1 PLC ± 2 PLC ±0.25 3 PLC ± 4 PLC ± ANGLES ± FINISH ±	NAME: PLUG KIT, UNASSEMBLED, 1 POSITION, RG-62U/M, 90 DEGREE, FAKRA, SMB PRODUCT SPEC: APPLICATION SPEC: SIZE: CAGE CODE: DRAWING NO: RESTRICTED TO: A 00779 C=1438923 CUSTOMER DRAWING SCALE: 5:1 SHEET 2 OF 2 REV C