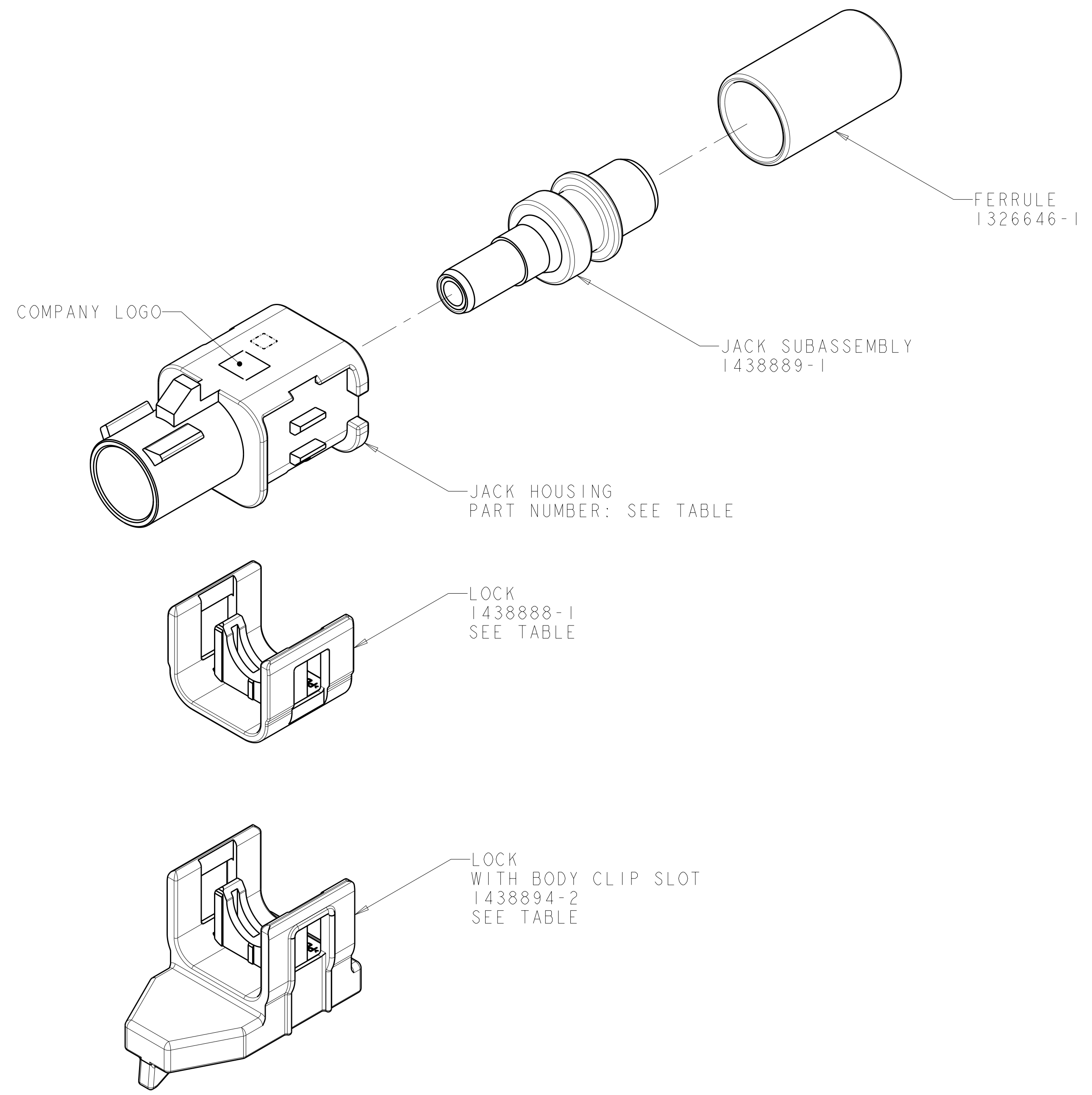
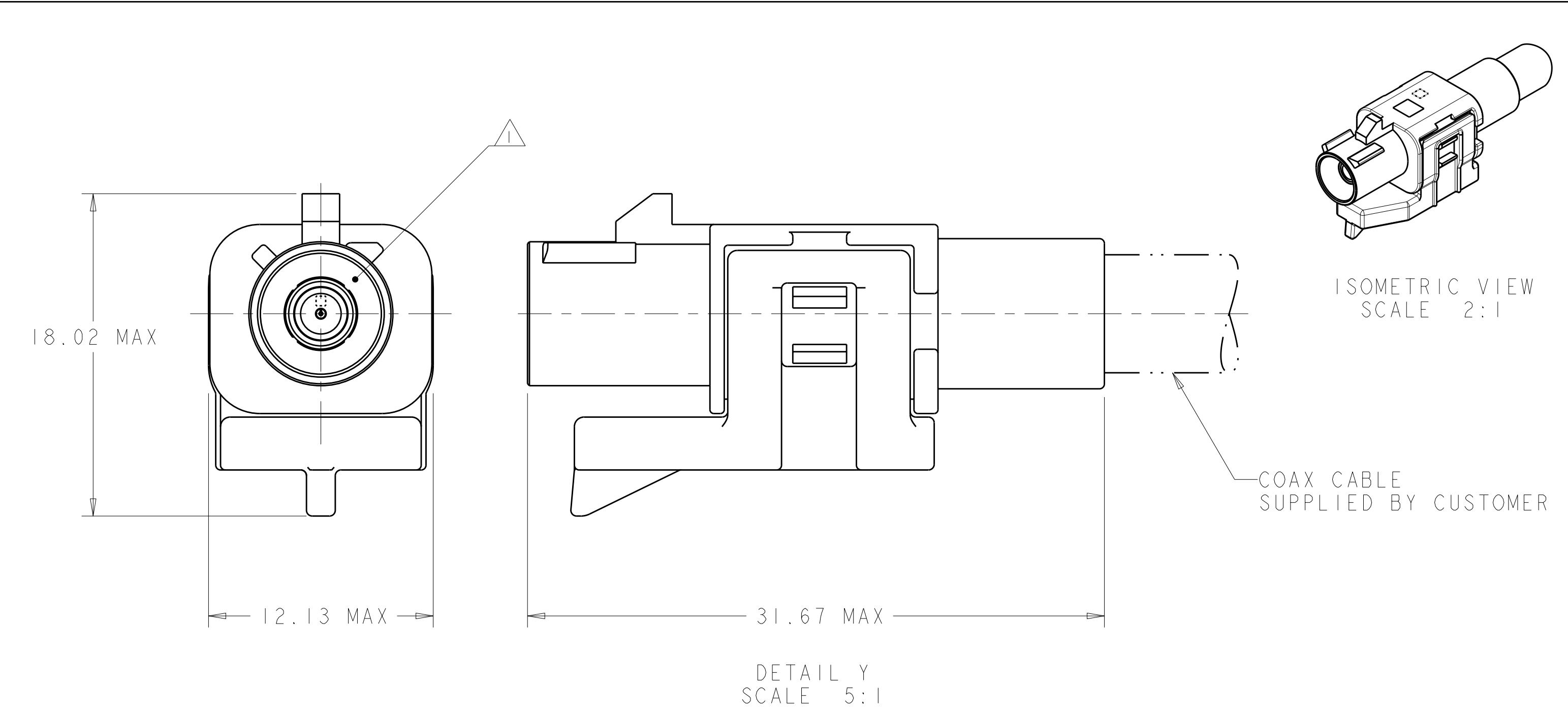
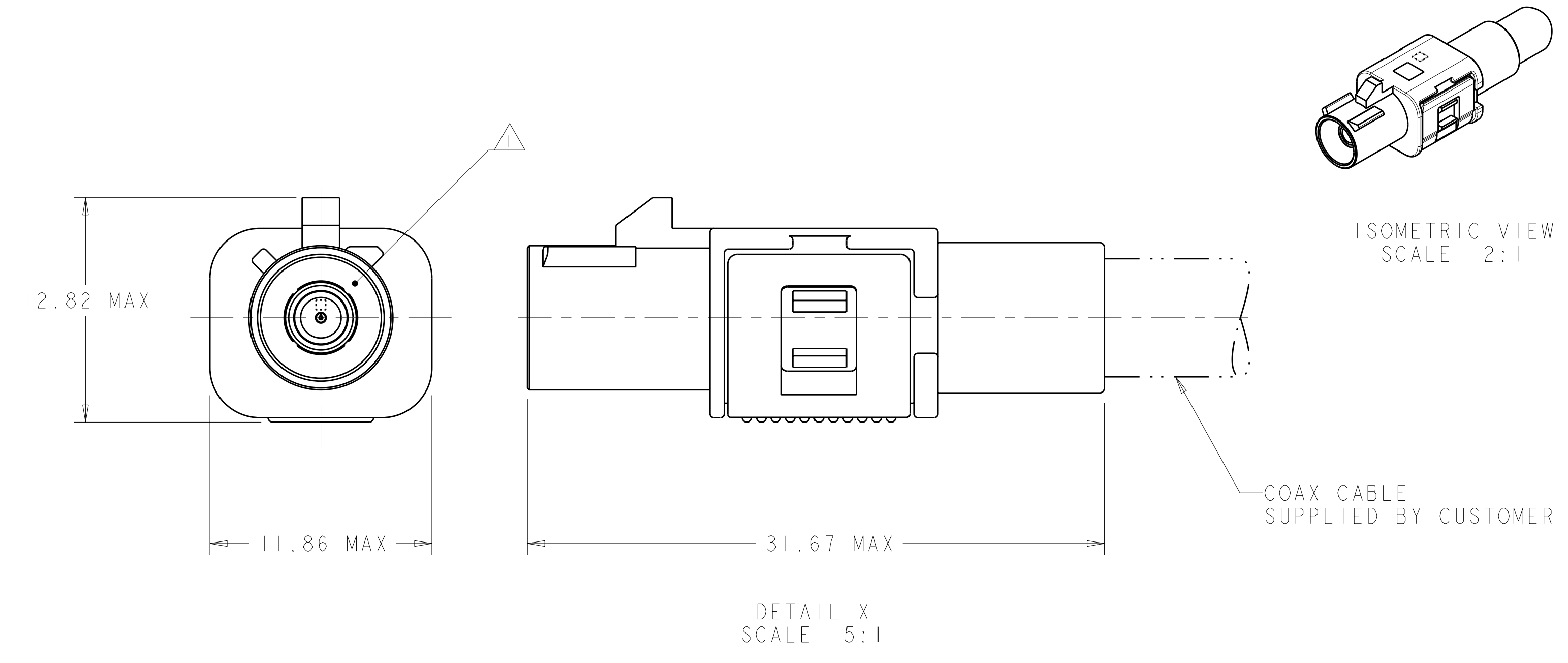
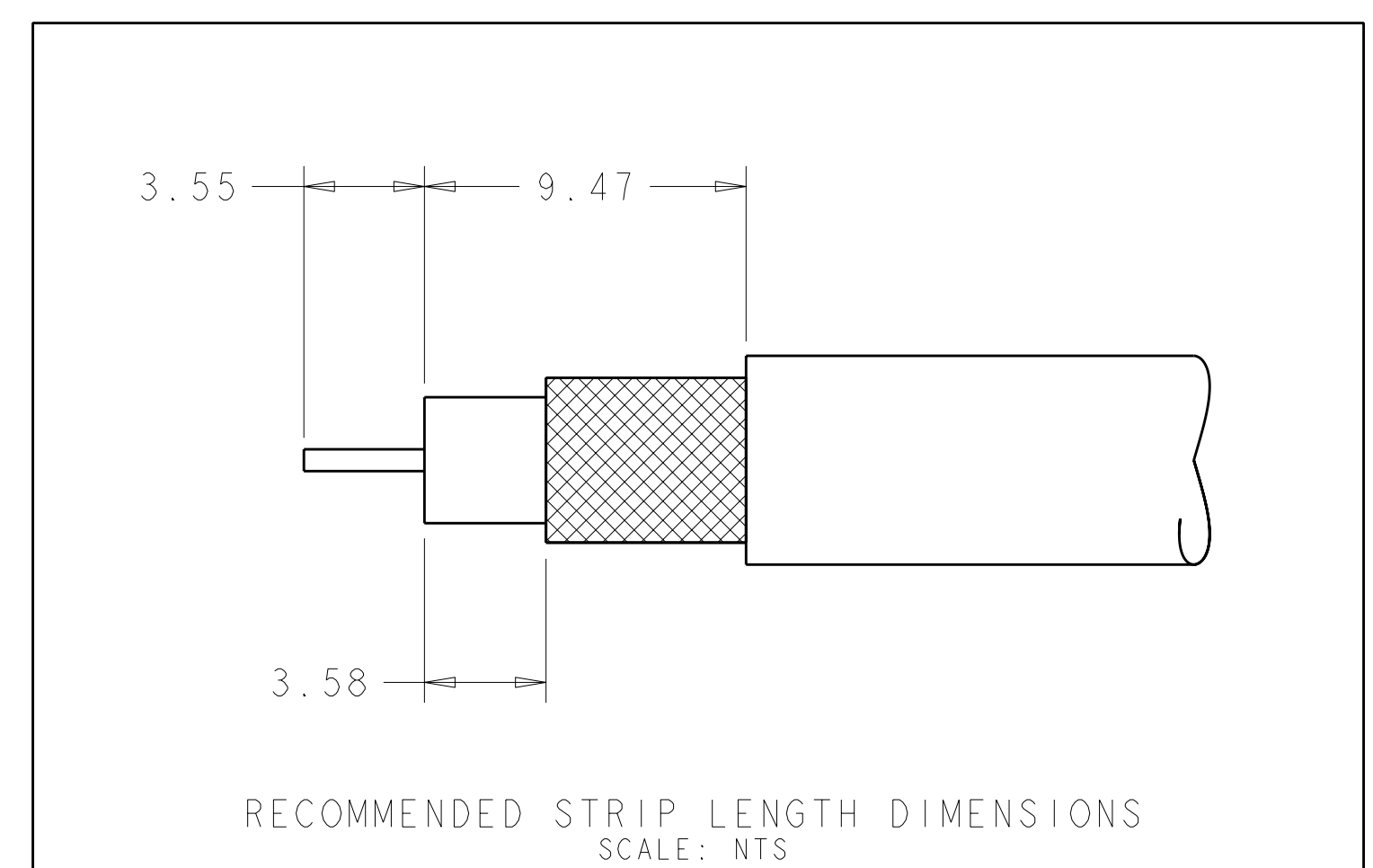


LOC	DIST	REV	DATE	BY	APPD
IN	00	E	06 JUN 2007	AH	LLV
		E1	30 JUN 2010	DLD	LLV



- ⚠ JACK INTERFACE PER DIN 72594-1, ROAD VEHICLES - RADIO FREQUENCY INTERFACE - DIMENSIONS AND ELECTRICAL REQUIREMENTS.
- JACK SUBASSEMBLY WILL ACCEPT RG-62U/M COAXIAL CABLE.
  - SEE INSTRUCTION SHEET 408-10028.
  - SPACER I274233-1 MUST BE PURCHASED SEPERATELY.
  - PIN CONTACT I438890-9 MUST BE PURCHASED SEPERATELY.



ASSEMBLY	KEYING	CODING	LOCK COLOR	LOCK PART NUMBER	HOUSING COLOR	JACK HOUSING PART NUMBER	PART NUMBER
PER DETAIL Y	PER DETAIL K	K	GRAY	I438894-2	CURRY	I-1438887-0	6-1438924-0
PER DETAIL Y	PER DETAIL H	H	GRAY	I438894-2	HEATHER VIOLET	I438887-8	5-1438924-8
PER DETAIL Y	PER DETAIL D	D	GRAY	I438894-2	CLARET VIOLET	I438887-4	5-1438924-4
PER DETAIL Y	PER DETAIL C	C	GRAY	I438894-2	SIGNAL BLUE	I438887-3	5-1438924-3
PER DETAIL Y	PER DETAIL B	B	GRAY	I438894-2	SIGNAL WHITE	I438887-2	5-1438924-2
PER DETAIL Y	PER DETAIL A	A	GRAY	I438894-2	JET BLACK	I438887-1	5-1438924-1
PER DETAIL X	PER DETAIL K	K	RED	I438888-1	CURRY	I-1438887-0	I-1438924-0
PER DETAIL X	PER DETAIL H	H	RED	I438888-1	HEATHER VIOLET	I438887-8	I438924-8
PER DETAIL X	PER DETAIL D	D	RED	I438888-1	CLARET VIOLET	I438887-4	I438924-4
PER DETAIL X	PER DETAIL C	C	RED	I438888-1	SIGNAL BLUE	I438887-3	I438924-3
PER DETAIL X	PER DETAIL B	B	RED	I438888-1	SIGNAL WHITE	I438887-2	I438924-2
PER DETAIL X	PER DETAIL A	A	RED	I438888-1	JET BLACK	I438887-1	I438924-1

DIMENSIONS: mm 	TOLERANCES UNLESS OTHERWISE SPECIFIED: 9 PLC ± 1 PLC ±0.25 5 PLC ± 4 PLC ± ANGLES ± FINISH	DWN: J. HARDY 03JAN2005 CHK: J. W. HALL 13JAN2005 APVD: J. W. HALL 13JAN2005	Tyco Electronics Harrisburg, PA 17105-3608
MATERIAL: -	FINISH: -	NAME: JACK KIT, UNASSEMBLED, 1 POSITION, RG-62U/M, FAKRA, SMB APPLICATION SPEC: 114-13157 WEIGHT: - CUSTOMER DRAWING	SIZE: A1 CAGE CODE: 00779 DRAWING NO: 114-13157 SHEET 1 OF 2 REV: E1

