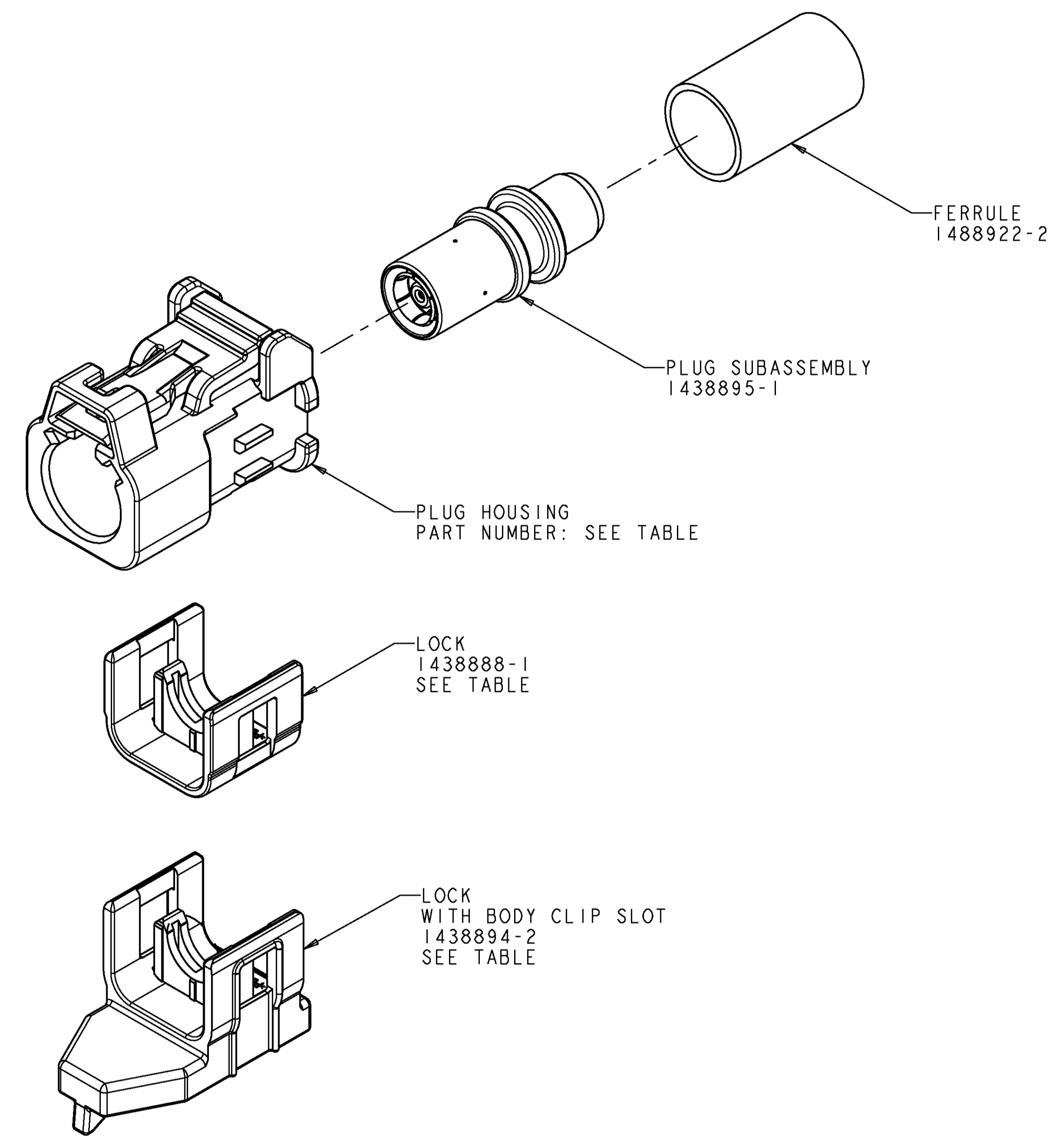
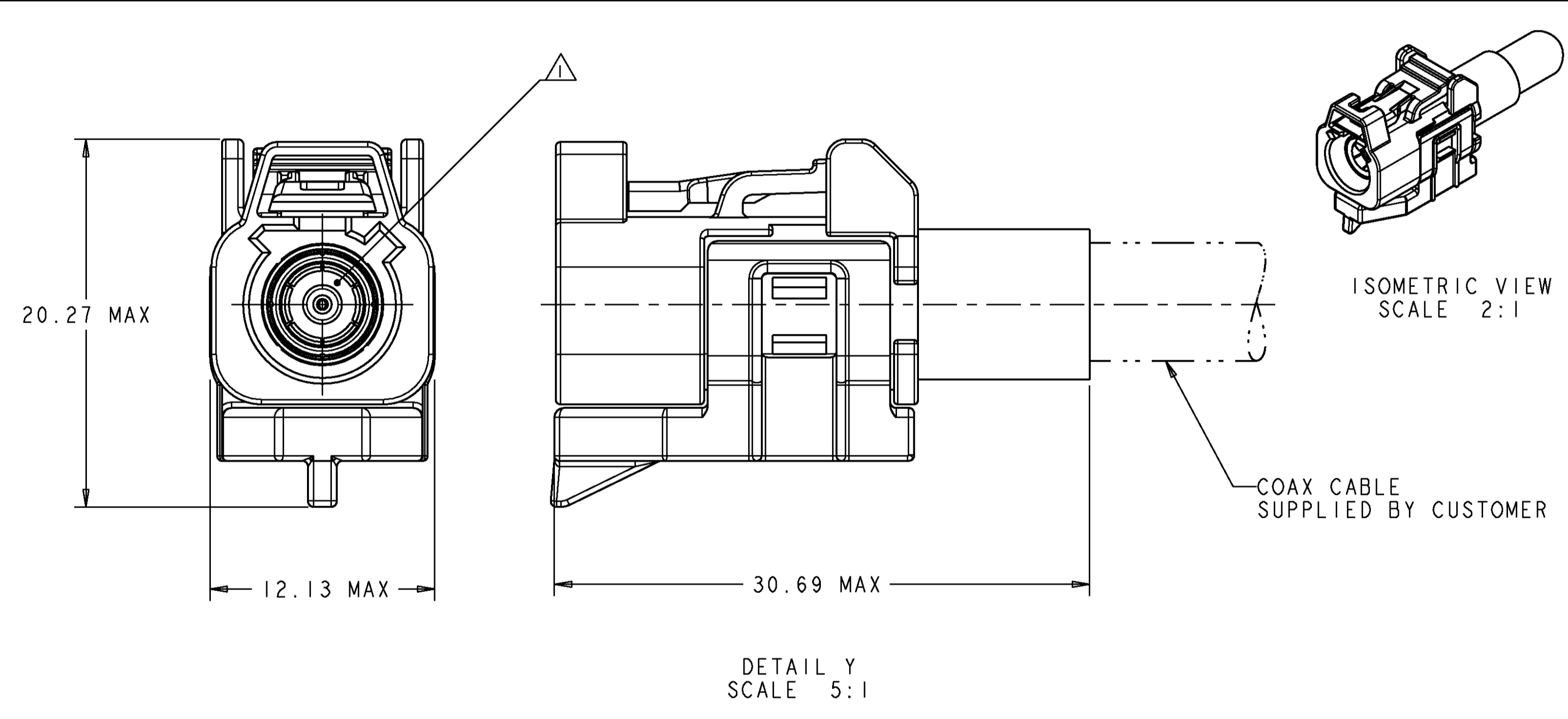
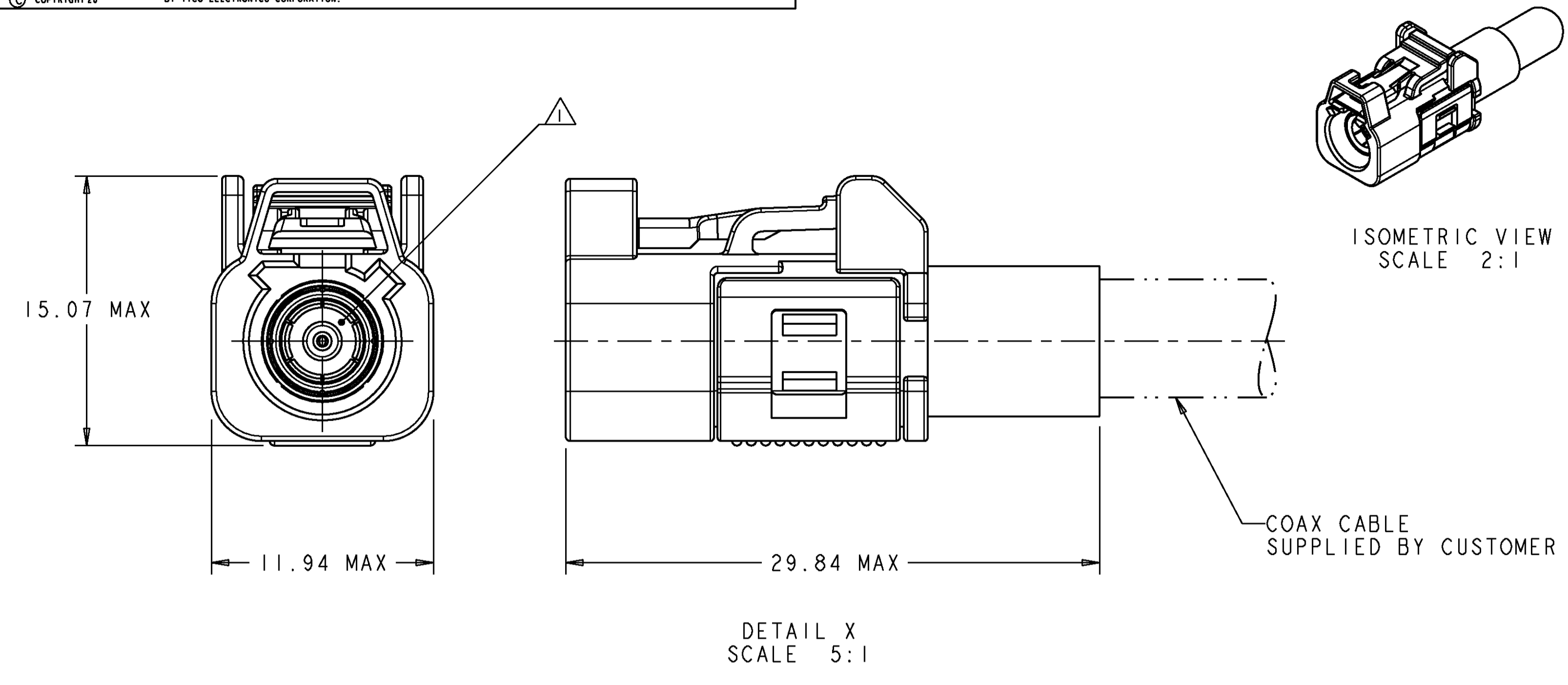
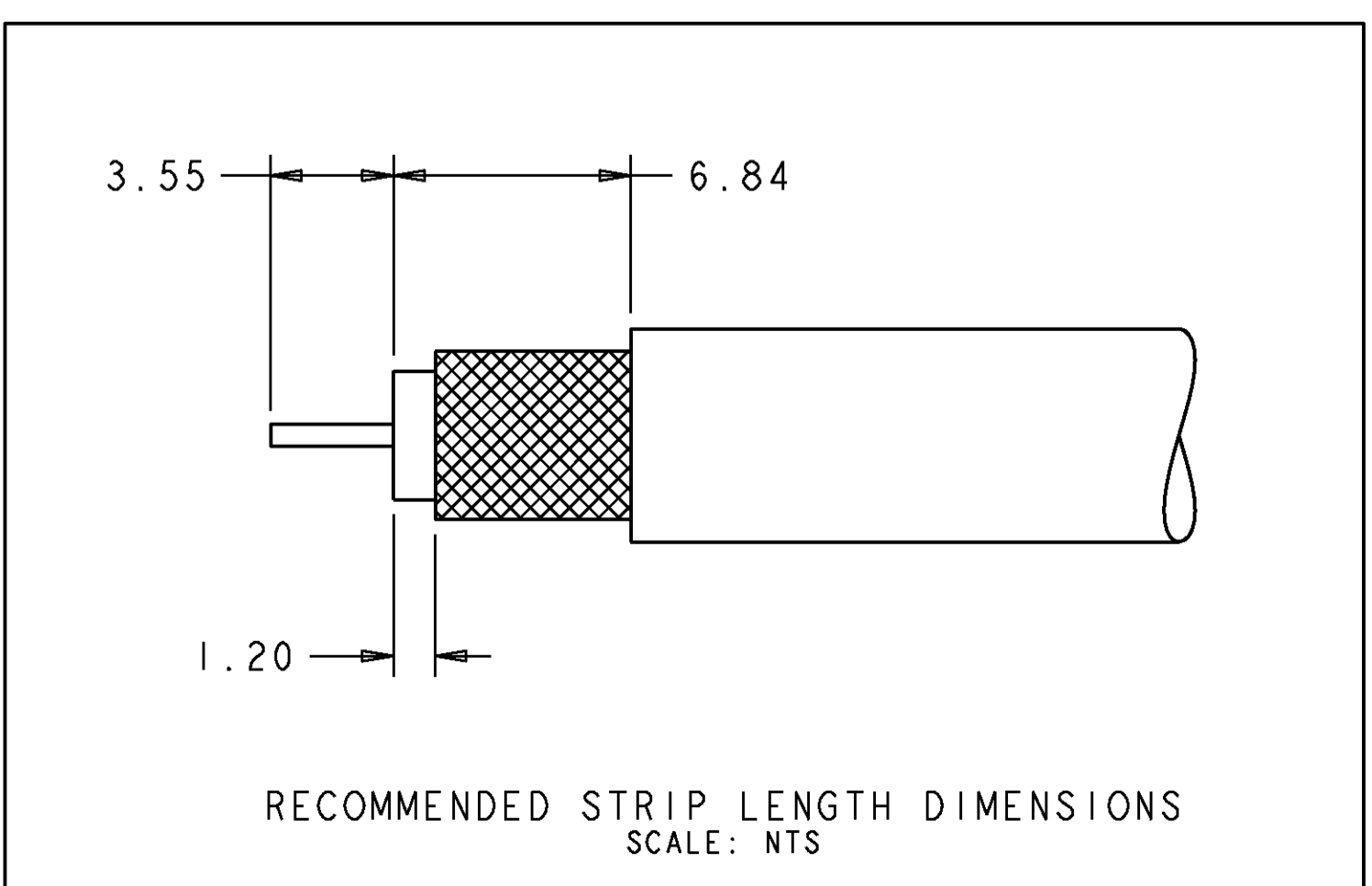


| REVISONS | | DATE | DNW | APVD |
|----------|---------------------------|-----------|-----|------|
| A | INITIAL RELEASE | 30AUG2005 | DJH | JMR |
| B | REVISED PER ECO-06-4485 | 14MAR2006 | DJH | JMR |
| C | REVISED PER ECR-07-012944 | 06JUN2007 | AH | LV |



△ PLUG ACCEPTS JACKS MEETING DIN 72594-1, ROAD VEHICLES - RADIO FREQUENCY INTERFACE - DIMENSIONS AND ELECTRICAL REQUIREMENTS.

2. PLUG SUBASSEMBLY WILL ACCEPT RG-71 COAXIAL CABLE.
3. SEE INSTRUCTION SHEET 408-10028.
4. SPACER 1274233-2 MUST BE PURCHASED SEPERATELY.
5. SOCKET CONTACT 1438896-4 MUST BE PURCHASED SEPERATELY.



| PER DETAIL Y | PER DETAIL K | K | GRAY | 1438894-2 | CURRY | 1-1438893-0 | 6-1438955-0 |
|--------------|--------------|--------|------------|------------------|----------------|--------------------------|-------------|
| PER DETAIL Y | PER DETAIL H | H | GRAY | 1438894-2 | HEATHER VIOLET | 1438893-8 | 5-1438955-8 |
| PER DETAIL Y | PER DETAIL D | D | GRAY | 1438894-2 | CLARET VIOLET | 1438893-4 | 5-1438955-4 |
| PER DETAIL Y | PER DETAIL C | C | GRAY | 1438894-2 | SIGNAL BLUE | 1438893-3 | 5-1438955-3 |
| PER DETAIL Y | PER DETAIL B | B | GRAY | 1438894-2 | SIGNAL WHITE | 1438893-2 | 5-1438955-2 |
| PER DETAIL Y | PER DETAIL A | A | GRAY | 1438894-2 | JET BLACK | 1438893-1 | 5-1438955-1 |
| PER DETAIL X | PER DETAIL K | K | RED | 1438888-1 | CURRY | 1-1438893-0 | 1-1438955-0 |
| PER DETAIL X | PER DETAIL H | H | RED | 1438888-1 | HEATHER VIOLET | 1438893-8 | 1438955-8 |
| PER DETAIL X | PER DETAIL D | D | RED | 1438888-1 | CLARET VIOLET | 1438893-4 | 1438955-4 |
| PER DETAIL X | PER DETAIL C | C | RED | 1438888-1 | SIGNAL BLUE | 1438893-3 | 1438955-3 |
| PER DETAIL X | PER DETAIL B | B | RED | 1438888-1 | SIGNAL WHITE | 1438893-2 | 1438955-2 |
| PER DETAIL X | PER DETAIL A | A | RED | 1438888-1 | JET BLACK | 1438893-1 | 1438955-1 |
| ASSEMBLY | KEYING | CODING | LOCK COLOR | LOCK PART NUMBER | HOUSING COLOR | PLUG HOUSING PART NUMBER | PART NUMBER |

DIMENSIONS: mm
 TOLERANCES UNLESS OTHERWISE SPECIFIED:
 0 PLC ±
 1 PLC ±0.25
 2 PLC ±
 3 PLC ±
 4 PLC ±
 ANGLES ±
 FINISH

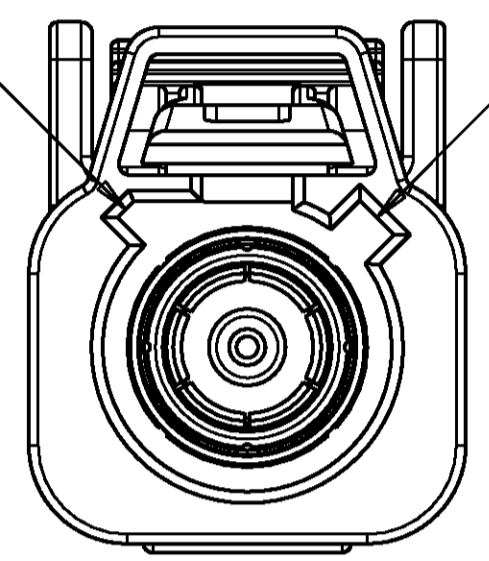
DWG: D. J. HARDY 02JUN2005
 CHK: J. W. HALL 30AUG2005
 APVD: J. W. HALL 30AUG2005
 NAME: PLUG KIT, UNASSEMBLED, 1 POSITION, RG-71, 180 DEGREE, FAKRA, SMB
 PRODUCT SPEC: -
 APPLICATION SPEC: 114-13157
 MATERIAL: -
 WEIGHT: -
 CUSTOMER DRAWING: -

Tyco Electronics
 Harrisburg, PA 17105-3608
 SIZE: A1
 CAGE CODE: 00779
 DRAWING NO: 1438955
 RESTRICTED TO: -
 SCALE: 4:1
 SHEET: 1 OF 2
 REV: C

THIS DRAWING IS UNPUBLISHED. RELEASED FOR PUBLICATION 20
 COPYRIGHT 20 BY TYCO ELECTRONICS CORPORATION. ALL RIGHTS RESERVED.

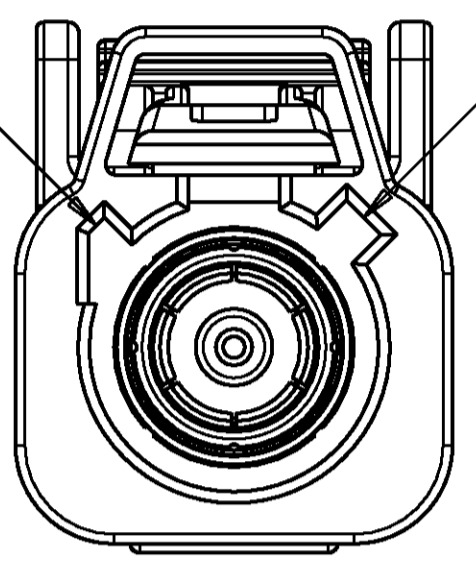
| LOC | | DIST | | REVISIONS | | | |
|-----|-----|-------------|------|-----------|------|--|--|
| P | LYR | DESCRIPTION | DATE | DNW | APVD | | |
| - | - | SEE SHEET 1 | - | - | - | | |
| | | | | | | | |
| | | | | | | | |

CODING RIB B1 CODING RIB A



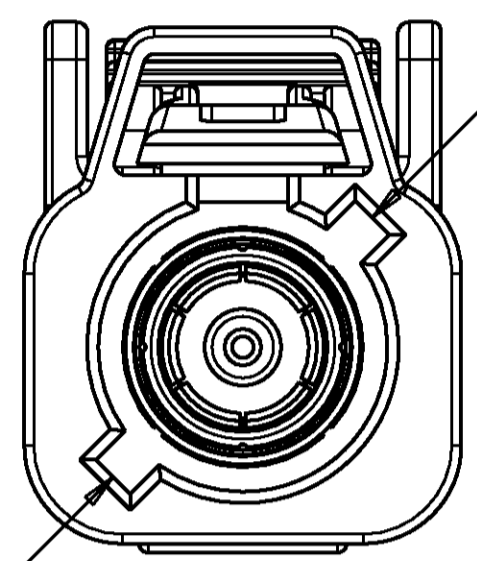
DETAIL A
SCALE 5:1

CODING RIB B2 CODING RIB A



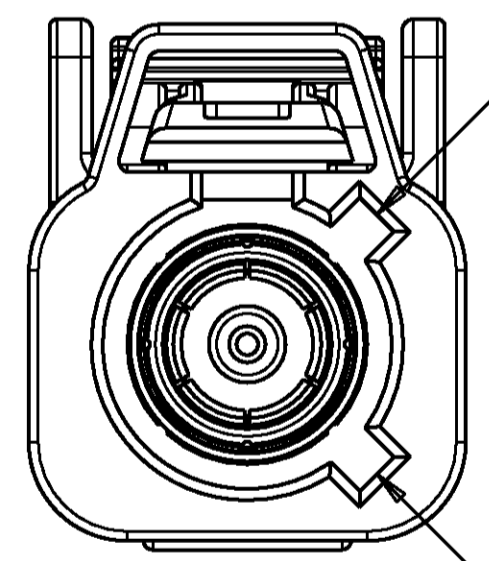
DETAIL B
SCALE 5:1

CODING RIB C CODING RIB A



DETAIL C
SCALE 5:1

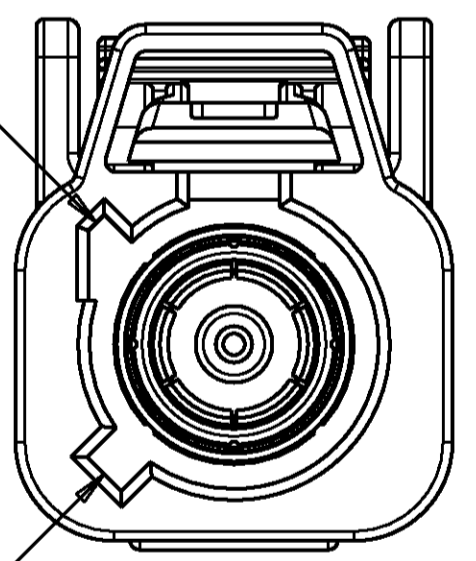
CODING RIB A



DETAIL D
SCALE 5:1

CODING RIB D

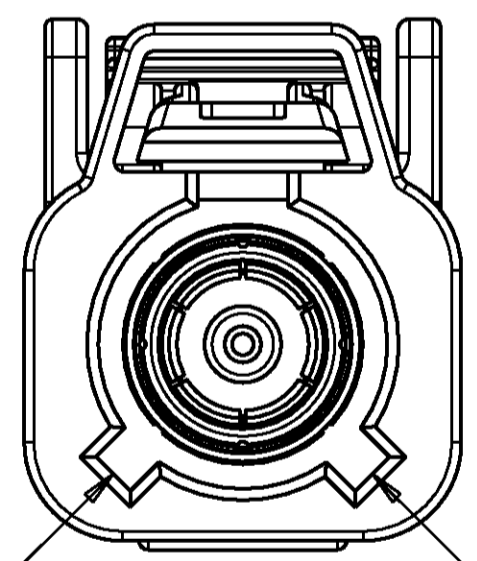
CODING RIB B2



DETAIL H
SCALE 5:1

CODING RIB C

CODING RIB C CODING RIB D



DETAIL K
SCALE 5:1

| | | | |
|--|---|--|--|
| <small>THE PROPERTY OF TYCO ELECTRONICS CORPORATION. THIS DRAWING IS UNPUBLISHED. IT IS SUBJECT TO CHANGE WITHOUT NOTICE AND THE REVISIONS THEREON SHALL BE CONTROLLED BY THE LATEST REVISION.</small> | | DWN D. J. HARDY 30AUG2005 CHK J. W. HALL 30AUG2005 APVD J. W. HALL 30AUG2005 | Tyco Electronics Harrisburg, PA 17105-3608 |
| DIMENSIONS: mm | TOLERANCES UNLESS OTHERWISE SPECIFIED: 0 PLC ± 1 PLC ± 2 PLC ±0.25 3 PLC ± 4 PLC ± ANGLES ± FINISH | NAME PLUG KIT, UNASSEMBLED, 1 POSITION, RG-71, 180 DEGREE, FAKRA, SMB PRODUCT SPEC APPLICATION SPEC WEIGHT CUSTOMER DRAWING | SIZE A1 CAGE CODE 00779 DRAWING NO 1438955 RESTRICTED TO SCALE 4:1 SHEET 2 OF 2 REV C |