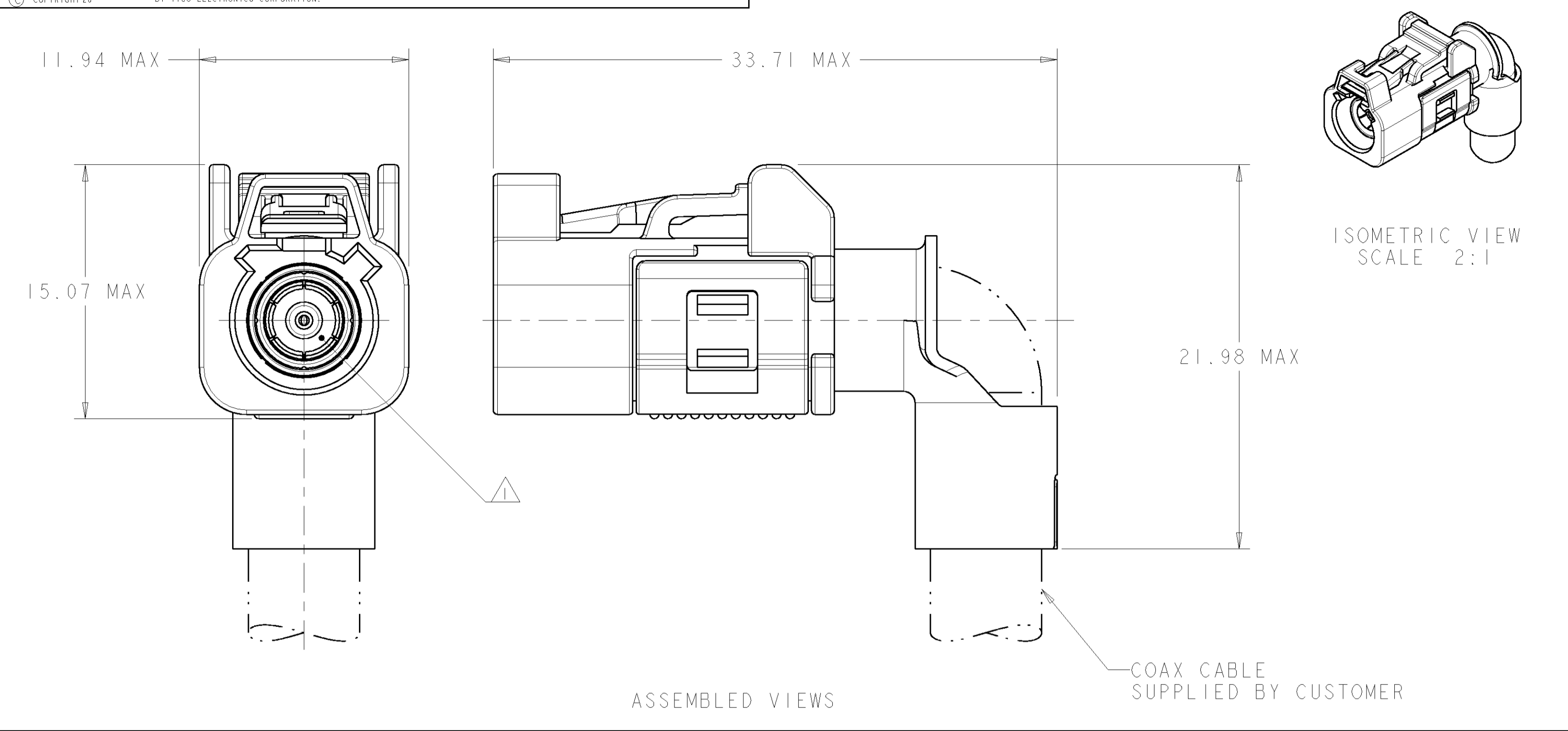
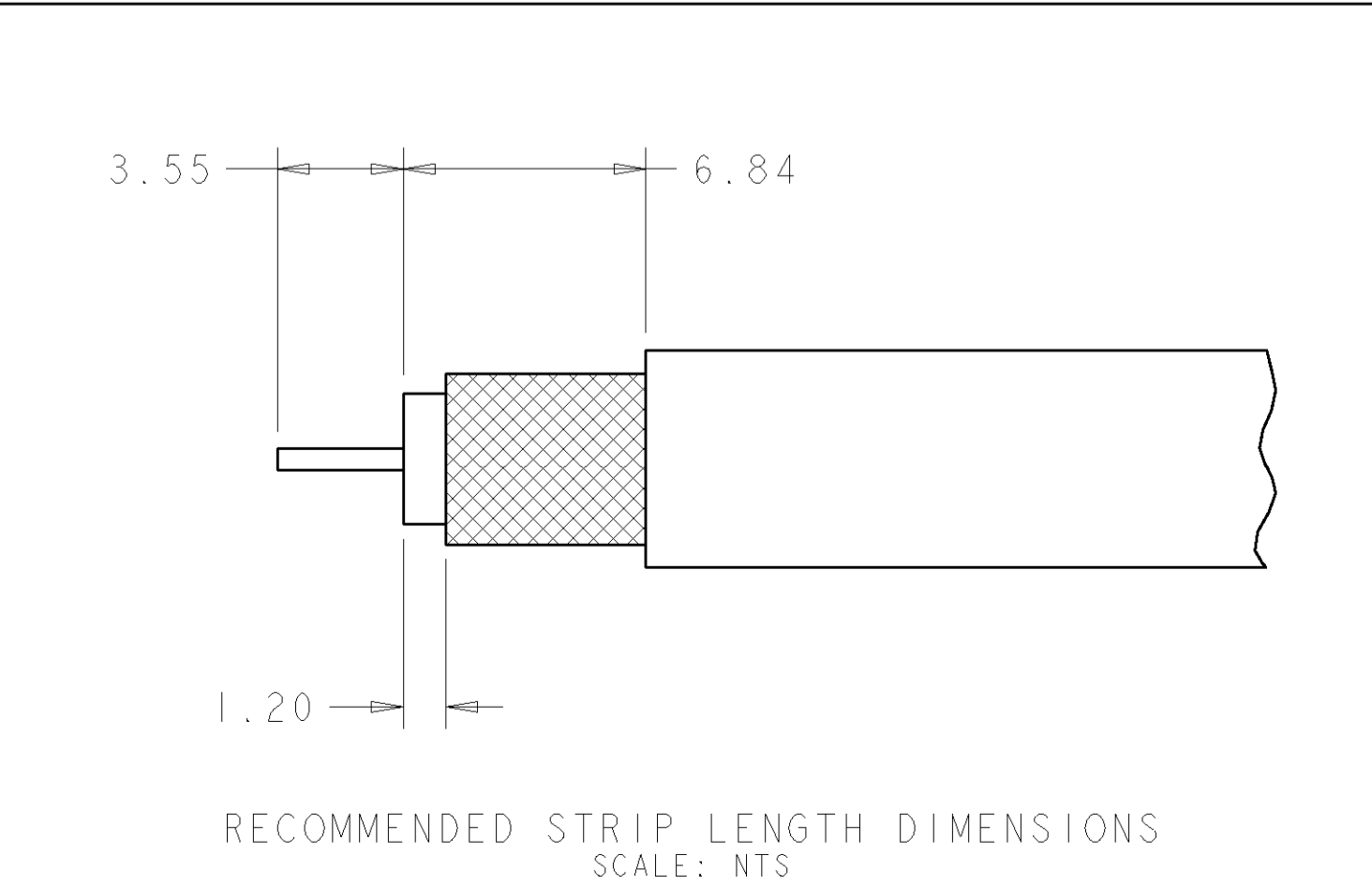
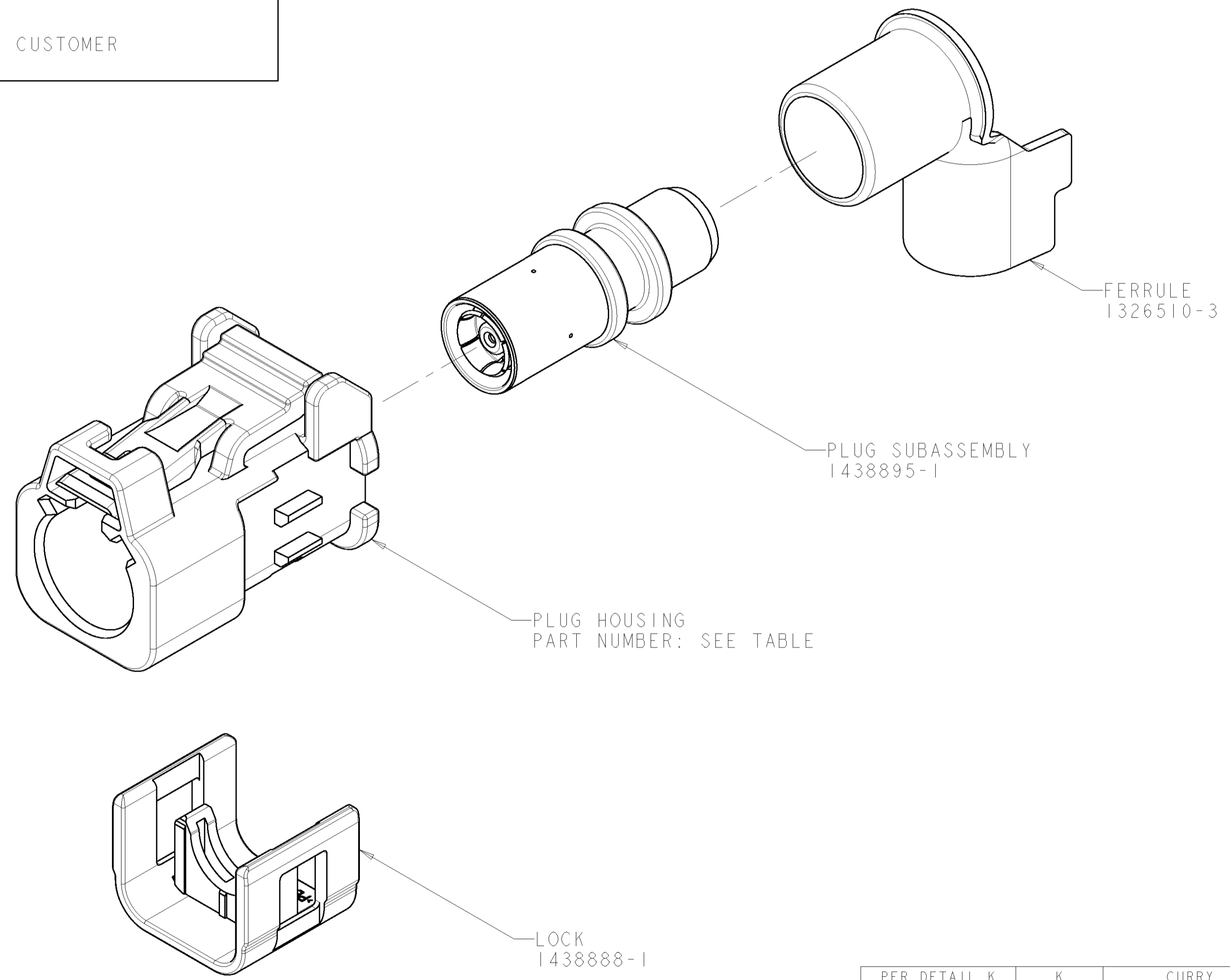


LOC		DIST		REVISIONS			
		P	LTR	DESCRIPTION	DATE	DWN	APVD
IN	00	A		INITIAL RELEASE	30AUG2005	DJH	JMR
		B		REVISED PER ECO-06-4485	14MAR2006	DJH	JMR



- 1. PLUG ACCEPTS JACKS MEETING DIN 72594-1, ROAD VEHICLES - RADIO FREQUENCY INTERFACE - DIMENSIONS AND ELECTRICAL REQUIREMENTS.
- 2. PLUG SUBASSEMBLY WILL ACCEPT RG-71 COAXIAL CABLE.
- 3. SEE INSTRUCTION SHEET 408-10028.
- 4. SPACER 1274233-2 MUST BE PURCHASED SEPERATELY.
- 5. SOCKET CONTACT 1438896-4 MUST BE PURCHASED SEPERATELY.

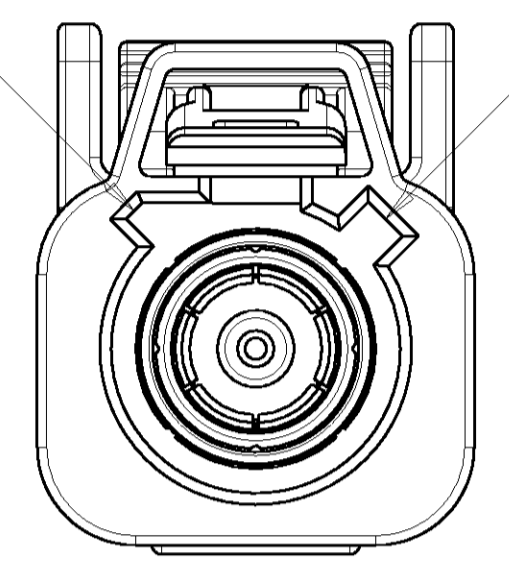


PER DETAIL K	K	CURRY	1-1438893-0	1-1438956-0
PER DETAIL H	H	HEATHER VIOLET	1438893-8	1438956-8
PER DETAIL D	D	CLARET VIOLET	1438893-4	1438956-4
PER DETAIL C	C	SIGNAL BLUE	1438893-3	1438956-3
PER DETAIL B	B	SIGNAL WHITE	1438893-2	1438956-2
PER DETAIL A	A	JET BLACK	1438893-1	1438956-1
KEYING	KEY CODING	HOUSING COLOR	PLUG HOUSING PART NUMBER	PART NUMBER

DIMENSIONS:		TOLERANCES UNLESS OTHERWISE SPECIFIED:		DWN D. J. HARDY 30AUG2005		APVD J. W. HALL 30AUG2005		Tyco Electronics Harrisburg, PA 17105-3608	
mm	0 PLC ±	1 PLC ±	2 PLC ±0.25	3 PLC ±	4 PLC ±	NAME PLUG KIT, UNASSEMBLED, 1 POSITION, RG-71, 90 DEGREE, FAKRA, SMB		RESTRICTED TO	
	ANGLES	FINISH		APPLICATION SPEC		SIZE CAGE CODE DRAWING NO		SCALE	
MATERIAL				WEIGHT		A 00779 C-1438956		SHEET 1 OF 2	
				CUSTOMER DRAWING		SCALE 5:1		REV B	

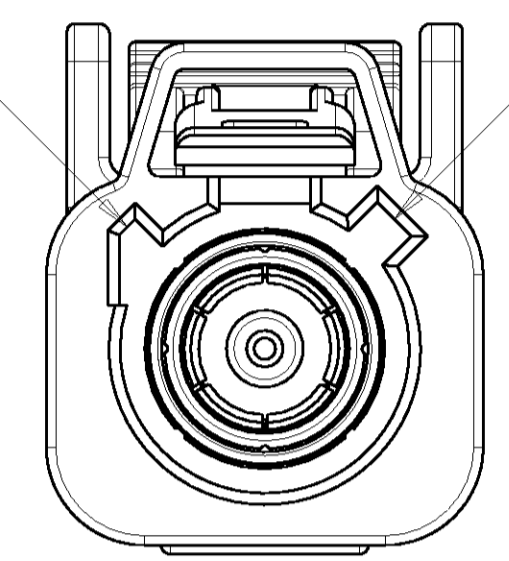
LOC		DIST		REVISIONS			
P	LTB	DESCRIPTION	DATE	DWN	APVD		
-	-	SEE SHEET 1	-	-	-		

CODING RIB B1 CODING RIB A



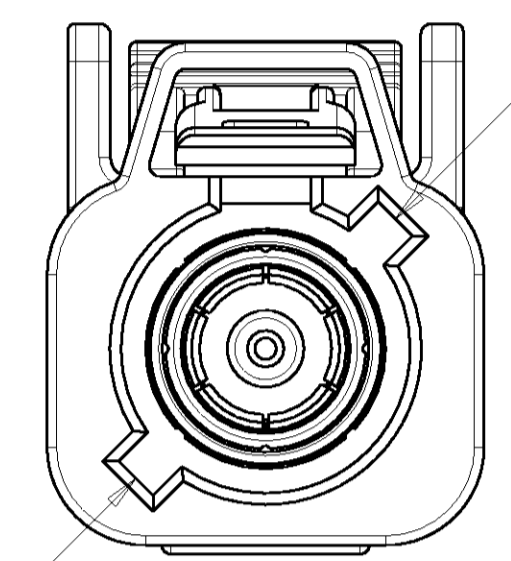
DETAIL A

CODING RIB B2 CODING RIB A



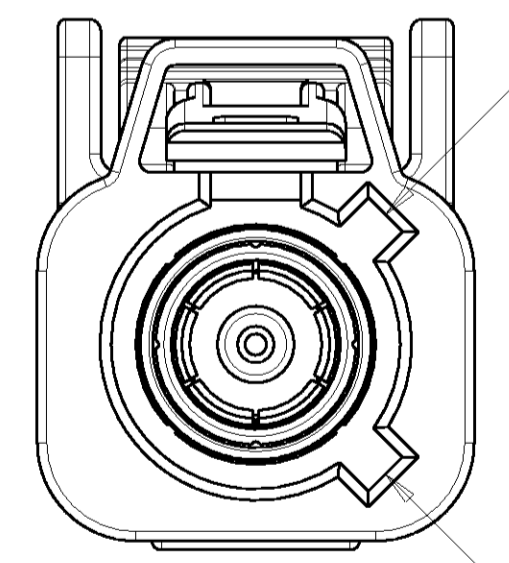
DETAIL B

CODING RIB C CODING RIB A



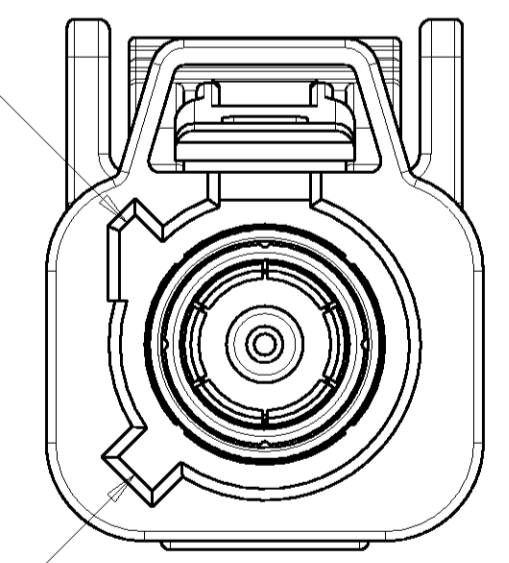
DETAIL C

CODING RIB A CODING RIB D



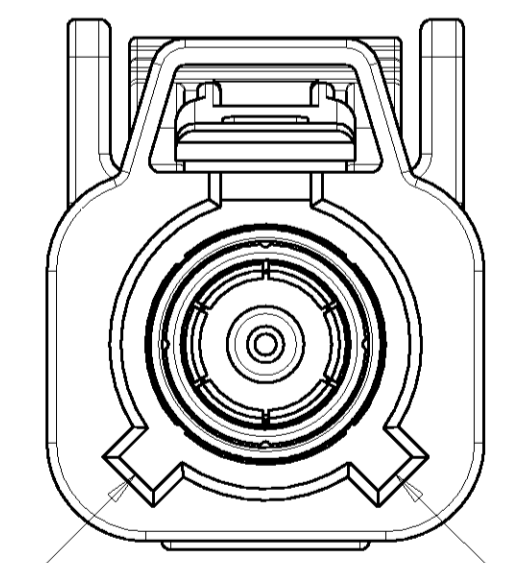
DETAIL D

CODING RIB B2 CODING RIB C



DETAIL H

CODING RIB C CODING RIB D



DETAIL K

<small>THE INFORMATION CONTAINED HEREIN IS UNCLASSIFIED EXCEPT WHERE SHOWN OTHERWISE. IT IS THE PROPERTY OF TYCO ELECTRONICS CORPORATION AND IS TO BE CONTAINED AND CONTROLLED BY THE USER'S ORGANIZATION UNLESS SO INDICATED BY THE USER'S ORGANIZATION.</small>		DWN D. J. HARDY 02 JUN 2005	Tyco Electronics Harrisburg, PA 17105-3608
DIMENSIONS: mm		ENGR J. W. HALL 30 AUG 2005	NAME PLUG KIT, UNASSEMBLED, 1 POSITION, RG-71, 90 DEGREE, FAKRA, SMB
TOLERANCES UNLESS OTHERWISE SPECIFIED: 0 PLC ± 1 PLC ±0.25 2 PLC ± 3 PLC ± 4 PLC ± ANGLES ± FINISH		APVD J. W. HALL 30 AUG 2005	PRODUCT SPEC APPLICATION SPEC SIZE CAGE CODE DRAWING NO A1 00779 C-1438956
MATERIAL -		WEIGHT -	RESTRICTED TO CUSTOMER DRAWING SCALE 5:1 SHEET 2 OF 2 REV B