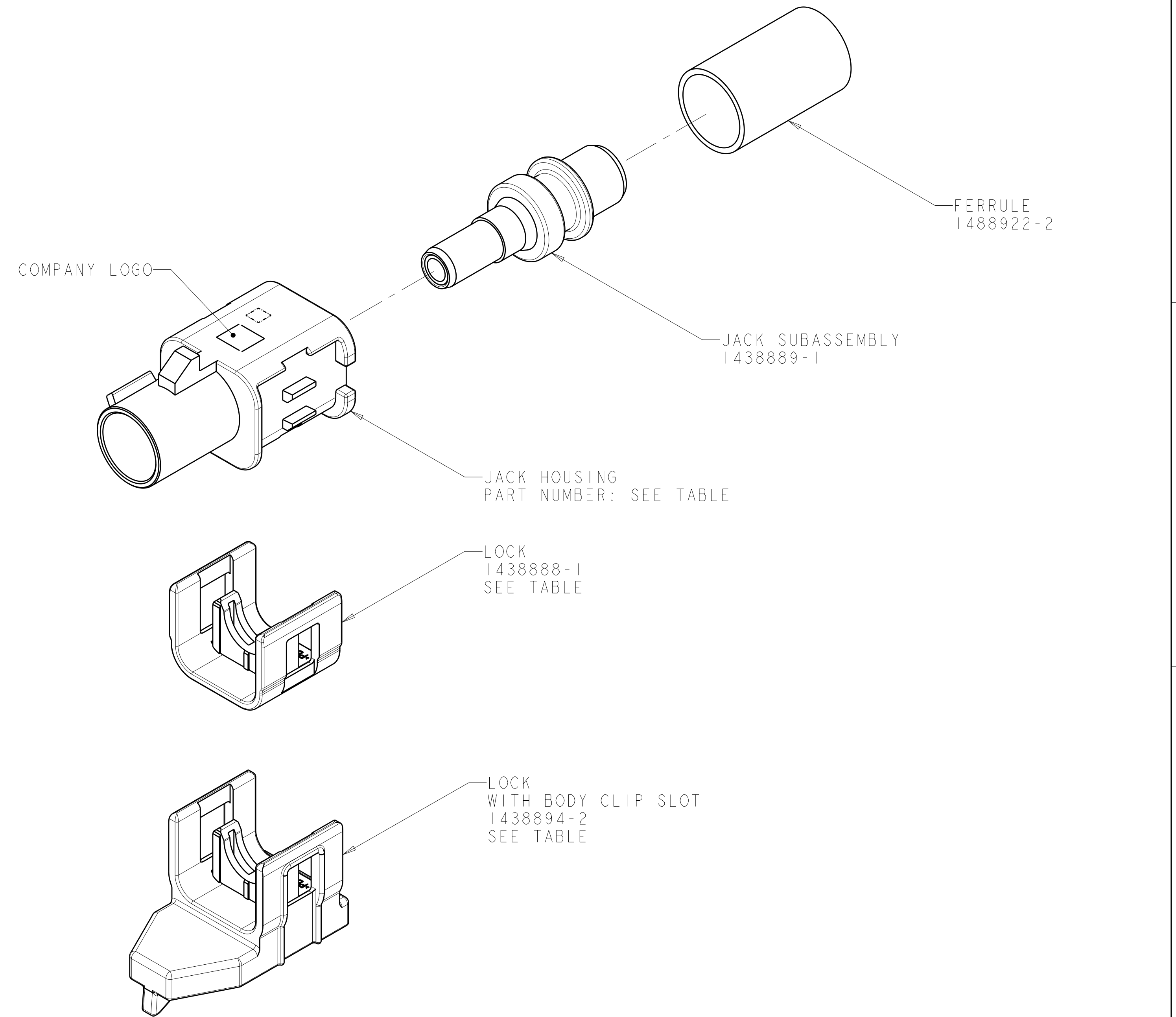
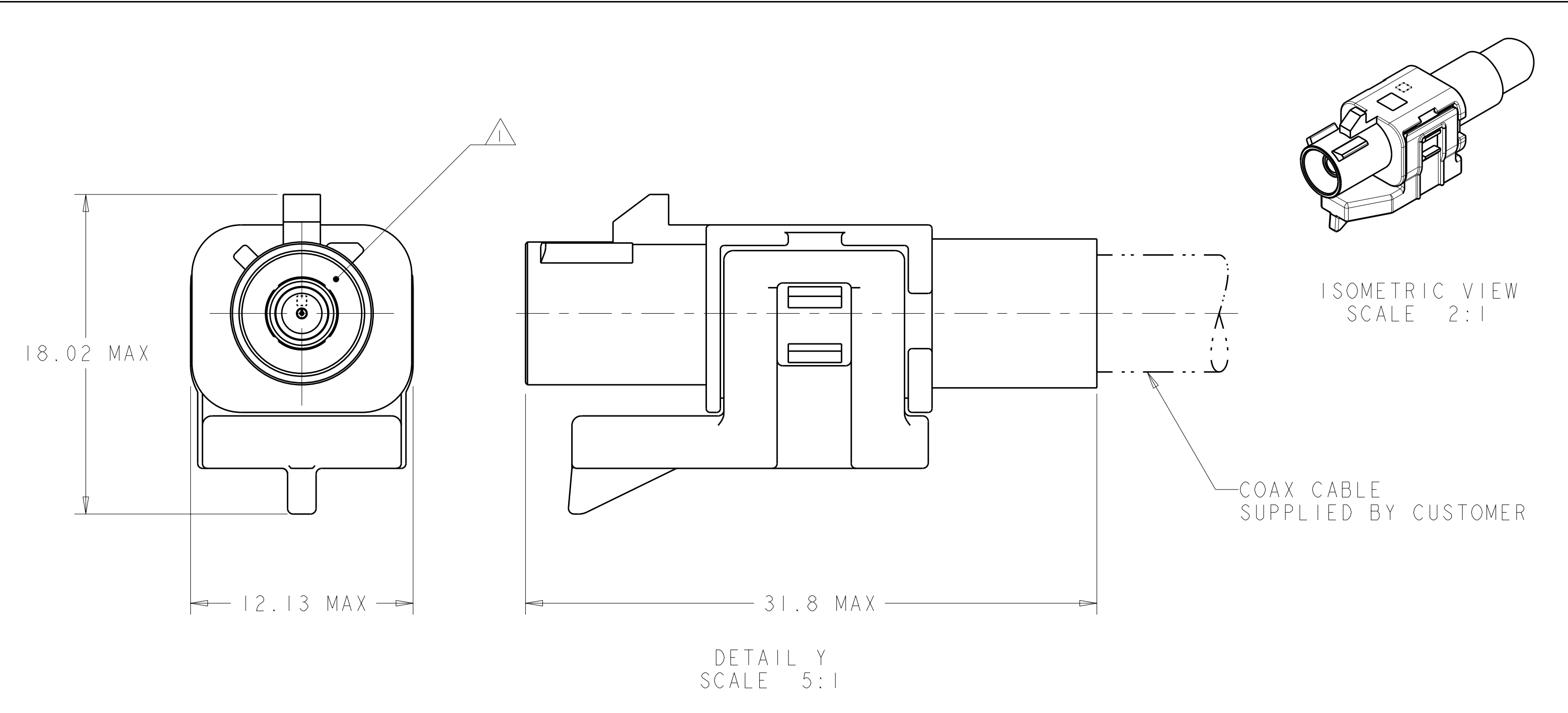
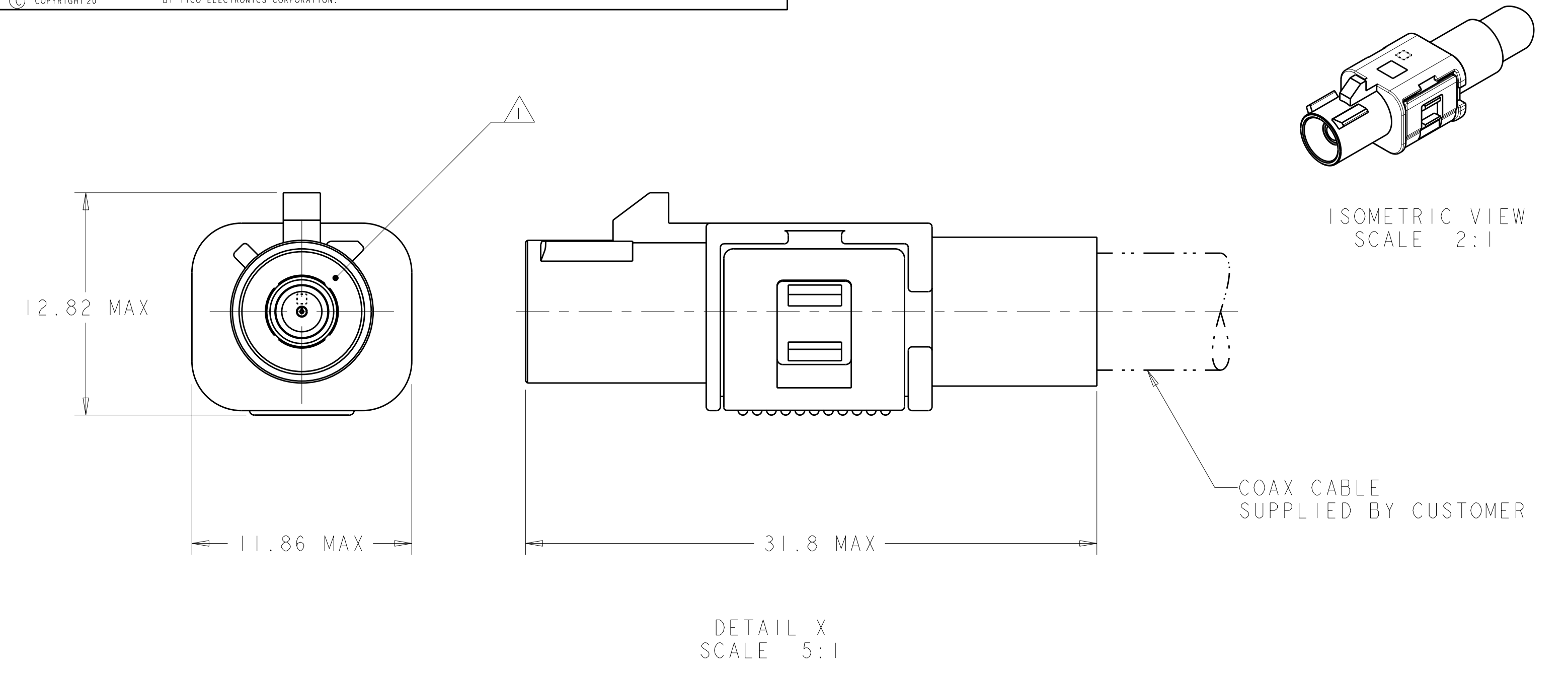
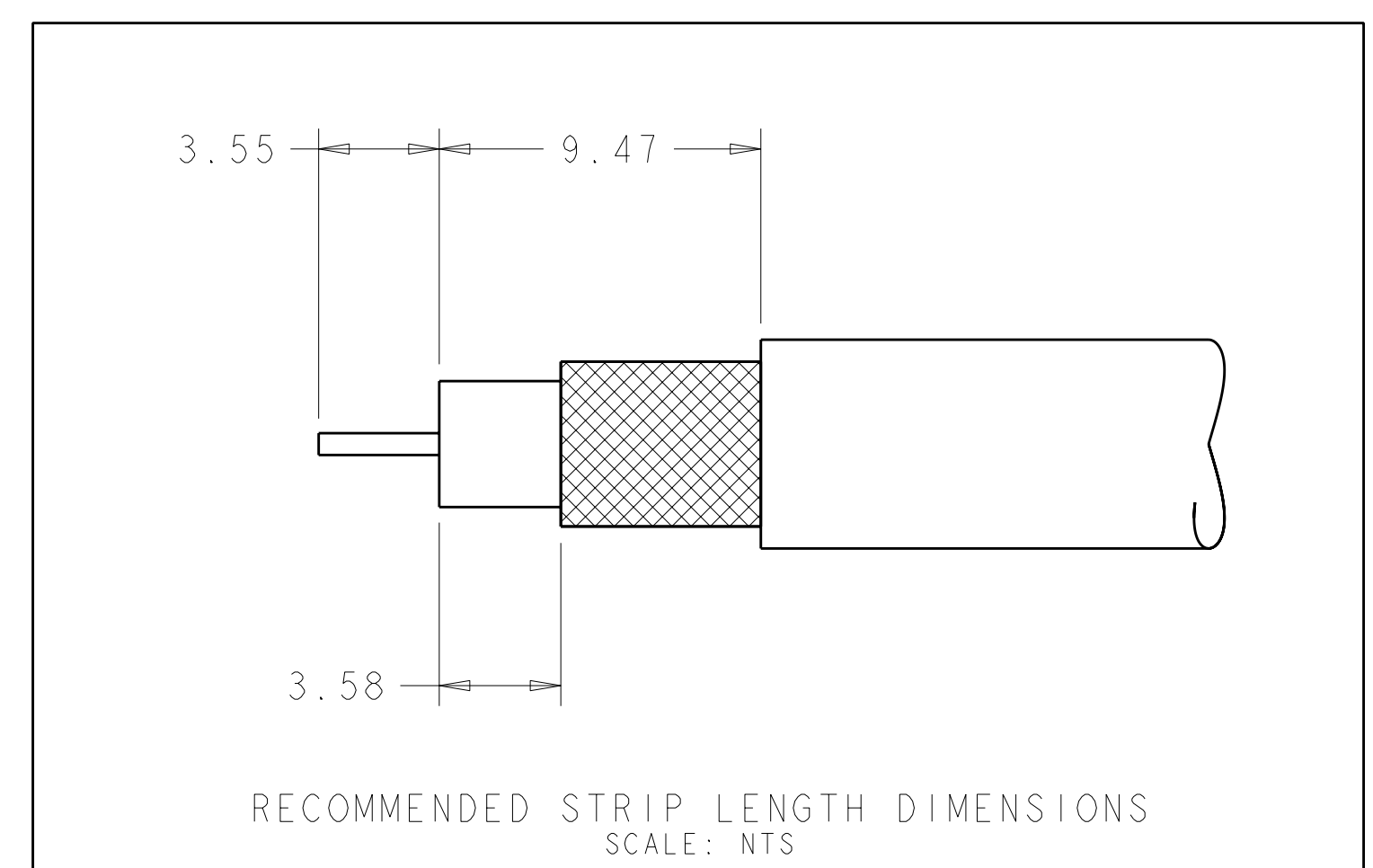


LOC		DIST		REVISIONS			
IN	00	P	LTR	DESCRIPTION	DATE	DWN	APVD
		D1		REVISED PER ECO-10-013737	30JUN2010	DLD	LLV



▲ JACK INTERFACE PER DIN 72594-1, ROAD VEHICLES - RADIO FREQUENCY INTERFACE - DIMENSIONS AND ELECTRICAL REQUIREMENTS.

- JACK SUBASSEMBLY WILL ACCEPT RG-71 COAXIAL CABLE.
- SEE INSTRUCTION SHEET 408-10028.
- SPACER 1274233-2 MUST BE PURCHASED SEPERATELY.
- PIN CONTACT 1438890-8 MUST BE PURCHASED SEPERATELY.

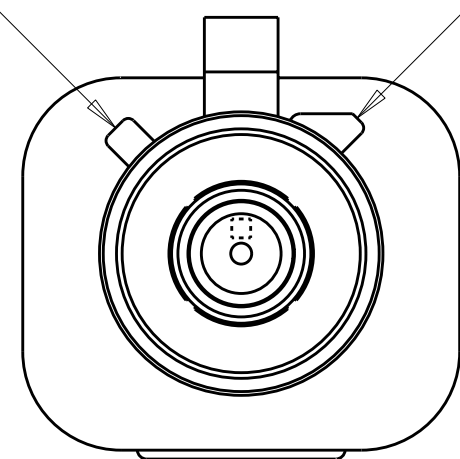


ASSEMBLY	KEYING	CODING	LOCK COLOR	LOCK PART NUMBER	HOUSING COLOR	JACK HOUSING PART NUMBER	PART NUMBER
PER DETAIL Y	PER DETAIL K	K	GRAY	1438894-2	CURRY	1-1438887-0	6-1438957-0
PER DETAIL Y	PER DETAIL H	H	GRAY	1438894-2	HEATHER VIOLET	1438887-8	5-1438957-8
PER DETAIL Y	PER DETAIL D	D	GRAY	1438894-2	CLARET VIOLET	1438887-4	5-1438957-4
PER DETAIL Y	PER DETAIL C	C	GRAY	1438894-2	SIGNAL BLUE	1438887-3	5-1438957-3
PER DETAIL Y	PER DETAIL B	B	GRAY	1438894-2	SIGNAL WHITE	1438887-2	5-1438957-2
PER DETAIL Y	PER DETAIL A	A	GRAY	1438894-2	JET BLACK	1438887-1	5-1438957-1
PER DETAIL X	PER DETAIL K	K	RED	1438888-1	CURRY	1-1438887-0	1-1438957-0
PER DETAIL X	PER DETAIL H	H	RED	1438888-1	HEATHER VIOLET	1438887-8	1438957-8
PER DETAIL X	PER DETAIL D	D	RED	1438888-1	CLARET VIOLET	1438887-4	1438957-4
PER DETAIL X	PER DETAIL C	C	RED	1438888-1	SIGNAL BLUE	1438887-3	1438957-3
PER DETAIL X	PER DETAIL B	B	RED	1438888-1	SIGNAL WHITE	1438887-2	1438957-2
PER DETAIL X	PER DETAIL A	A	RED	1438888-1	JET BLACK	1438887-1	1438957-1

DIMENSIONS:		TOLERANCES UNLESS OTHERWISE SPECIFIED:		DWN 02JUN2005		Tyco Electronics	
mm		9 PLC ±		CHK J. J. HARDY 30AUG2005		Tyco Electronics Harrisburg, PA 17105-3608	
Ø		5 PLC ±0.25		CHK J. W. HALL 30AUG2005		NAME	
MATERIAL		FINISH		APVD J. W. HALL 30AUG2005		PRODUCT SPEC	
						APPLICATION SPEC	
						SIZE CAGE CODE DRAWING NO RESTRICTED TO	
						A 00779 C=1438957	
						CUSTOMER DRAWING SCALE 4:1 SHEET 1 OF 2 REV D1	

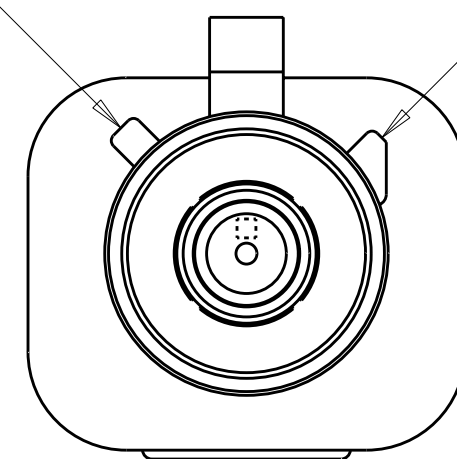
LOC		DIST		REVISIONS			
P	LTB	DESCRIPTION	DATE	DNW	APVD		
-	-	SEE SHEET 1	-	-	-		

CODING RIB A CODING RIB B1



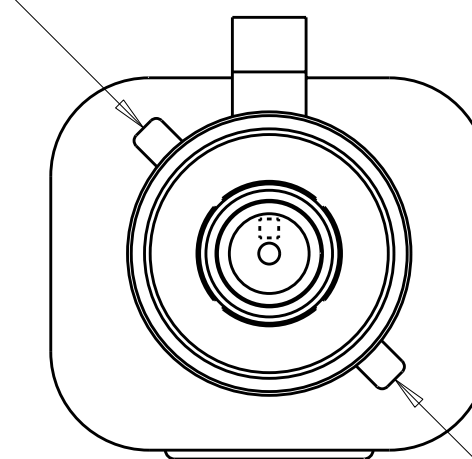
DETAIL A
SCALE 5:1

CODING RIB A CODING RIB B2



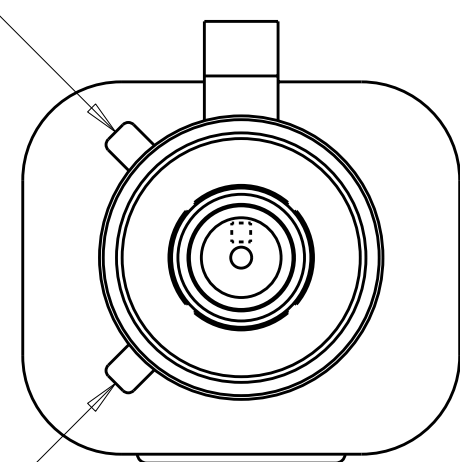
DETAIL B
SCALE 5:1

CODING RIB A CODING RIB C



DETAIL C
SCALE 5:1

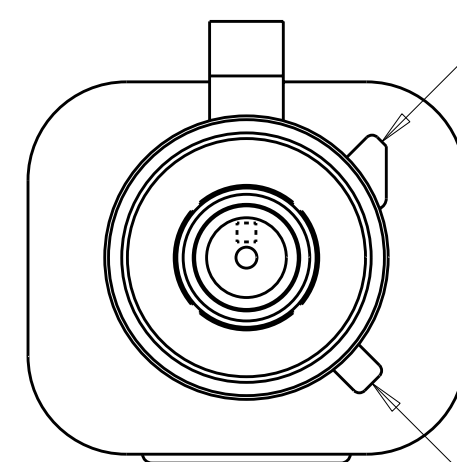
CODING RIB A



DETAIL D
SCALE 5:1

CODING RIB D

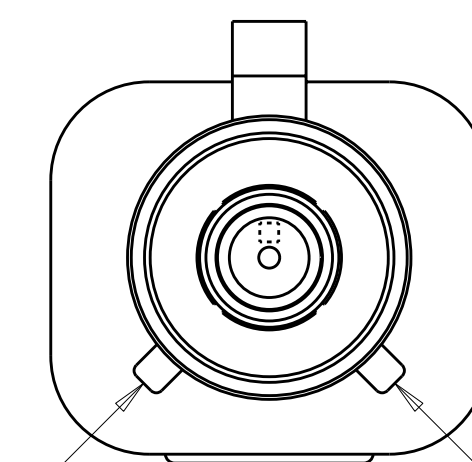
CODING RIB B2



DETAIL H
SCALE 5:1

CODING RIB C

CODING RIB D CODING RIB C



DETAIL K
SCALE 5:1

<small>THIS DRAWING IS UNPUBLISHED. RELEASED FOR PUBLICATION 20. THIS DRAWING IS UNPUBLISHED. RELEASED FOR PUBLICATION 20. THIS DRAWING IS UNPUBLISHED. RELEASED FOR PUBLICATION 20.</small>		DWN J. J. HARDY 02JUN2005 CHK J. W. HALL 30AUG2005 APVD J. W. HALL 30AUG2005	Tyco Electronics Tyco Electronics Harrisburg, PA 17105-3608
DIMENSIONS: mm 	TOLERANCES UNLESS OTHERWISE SPECIFIED: 0 PLC ± 1 PLC ±0.25 2 PLC ± 3 PLC ± 4 PLC ± ANGLES ± FINISH -	NAME PRODUCT SPEC APPLICATION SPEC 114-13157 WEIGHT - CUSTOMER DRAWING	SIZE CAGE CODE DRAWING NO RESTRICTED TO A 00779 C-1438957 - SCALE 4:1 SHEET 2 OF 2 REV D1