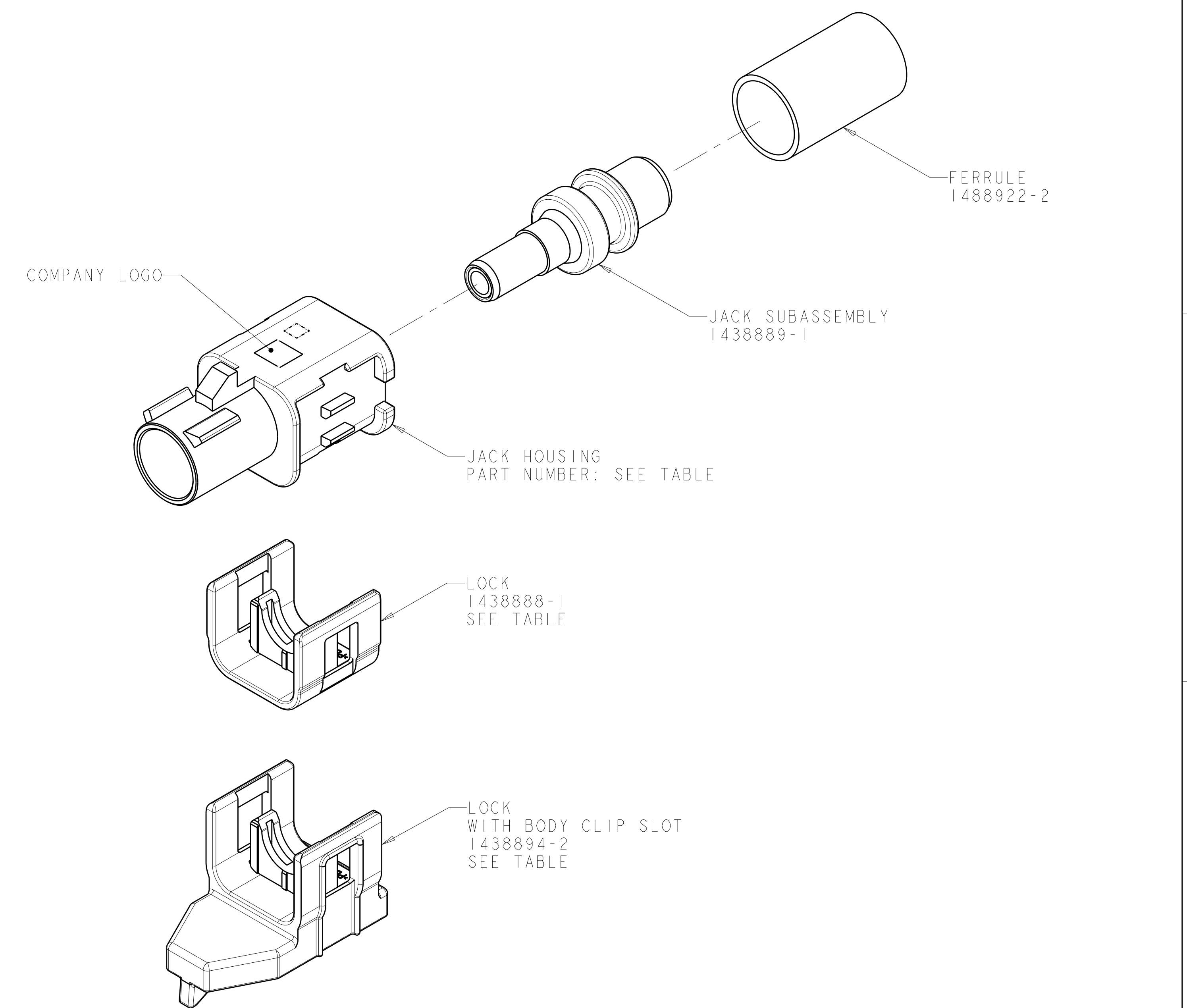
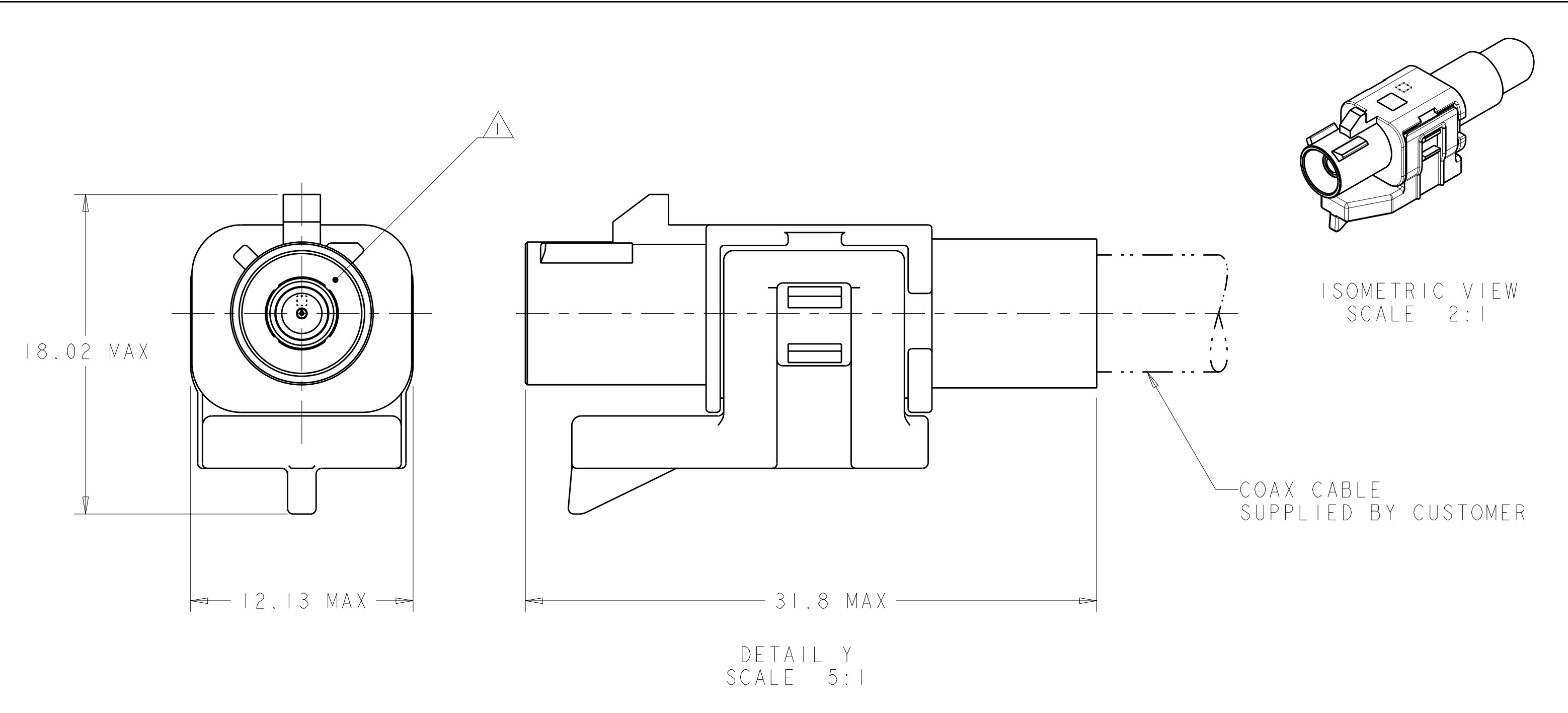
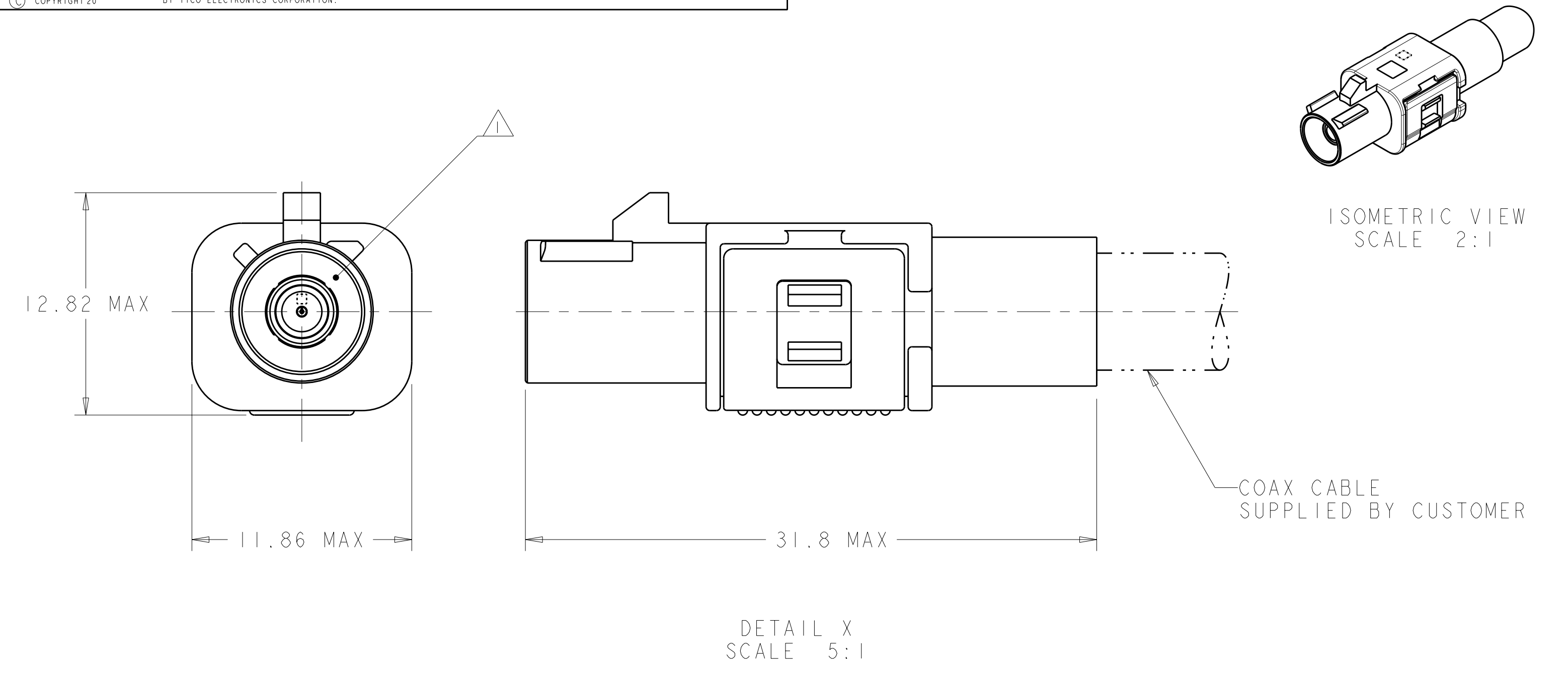
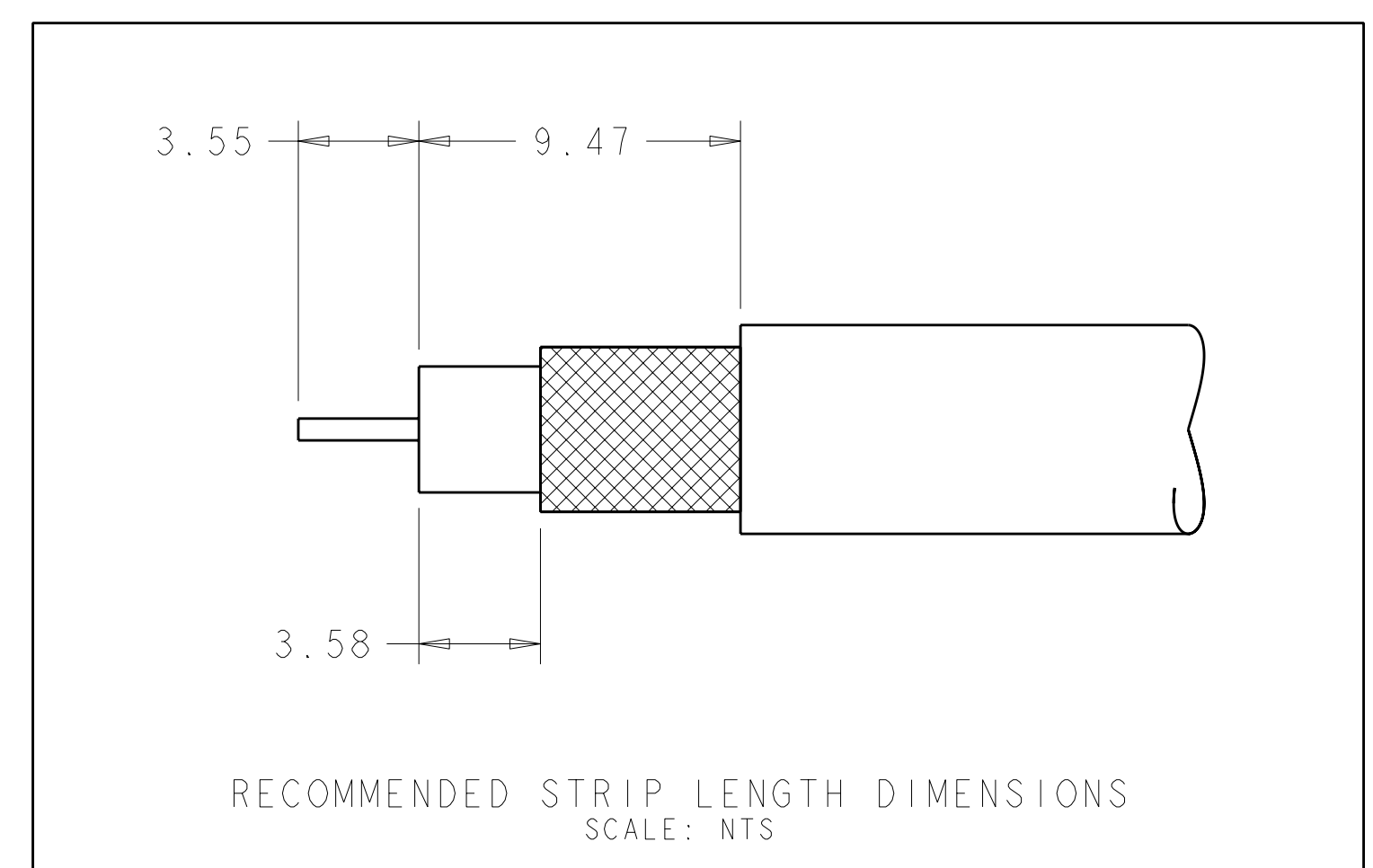


REVOLUTION		REVISIONS					
LOC	DIST	P	LTB	DESCRIPTION	DATE	OWN	APVD
IN	00	D1		REVISED PER ECO-10-013737	30JUN2010	DLD	LLV



▲ JACK INTERFACE PER DIN 72594-1, ROAD VEHICLES - RADIO FREQUENCY INTERFACE - DIMENSIONS AND ELECTRICAL REQUIREMENTS.

- JACK SUBASSEMBLY WILL ACCEPT RG-71U/M COAXIAL CABLE.
- SEE INSTRUCTION SHEET 408-10028.
- SPACER 1274233-1 MUST BE PURCHASED SEPERATELY.
- PIN CONTACT 1438890-9 MUST BE PURCHASED SEPERATELY.

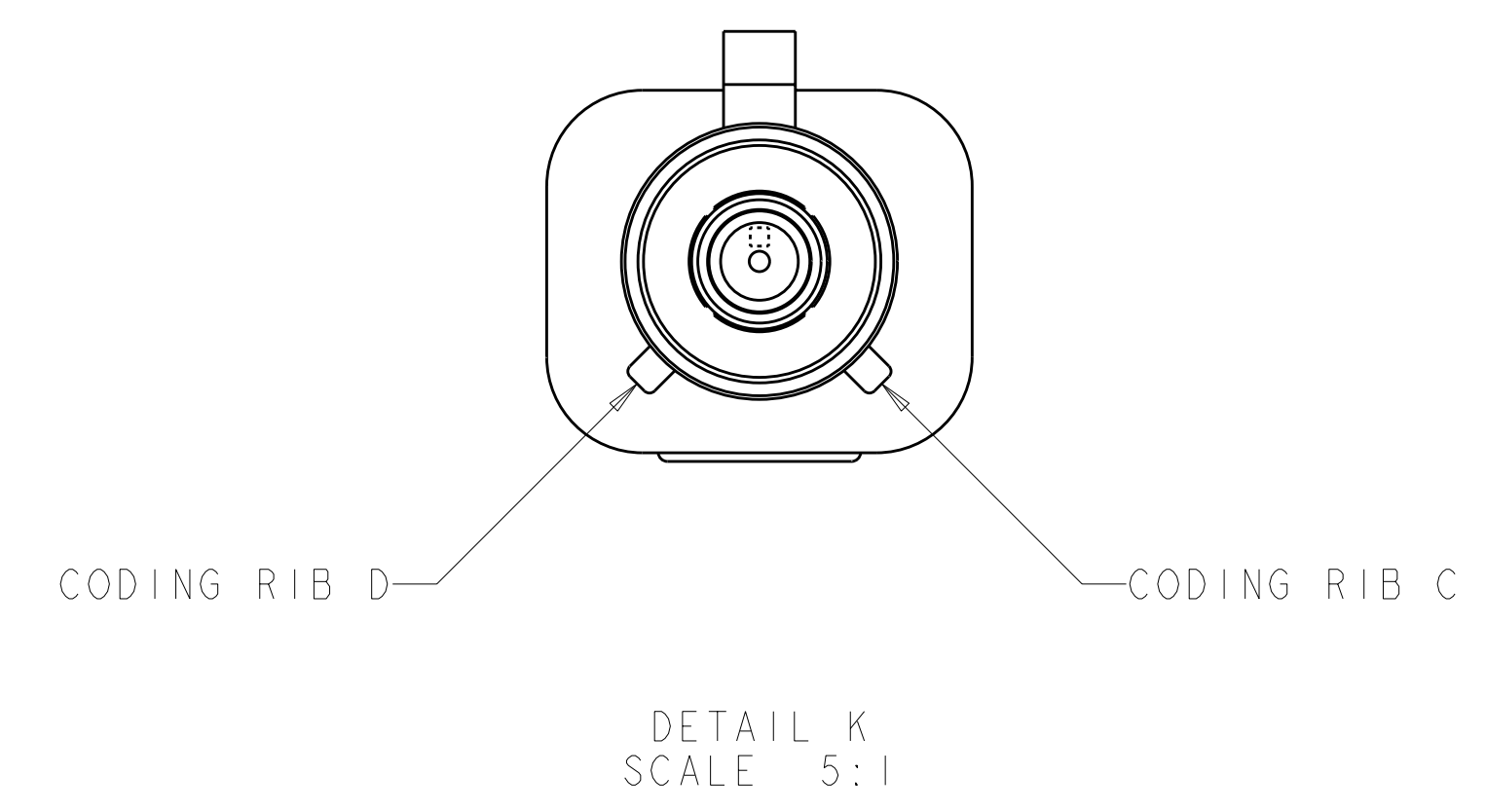
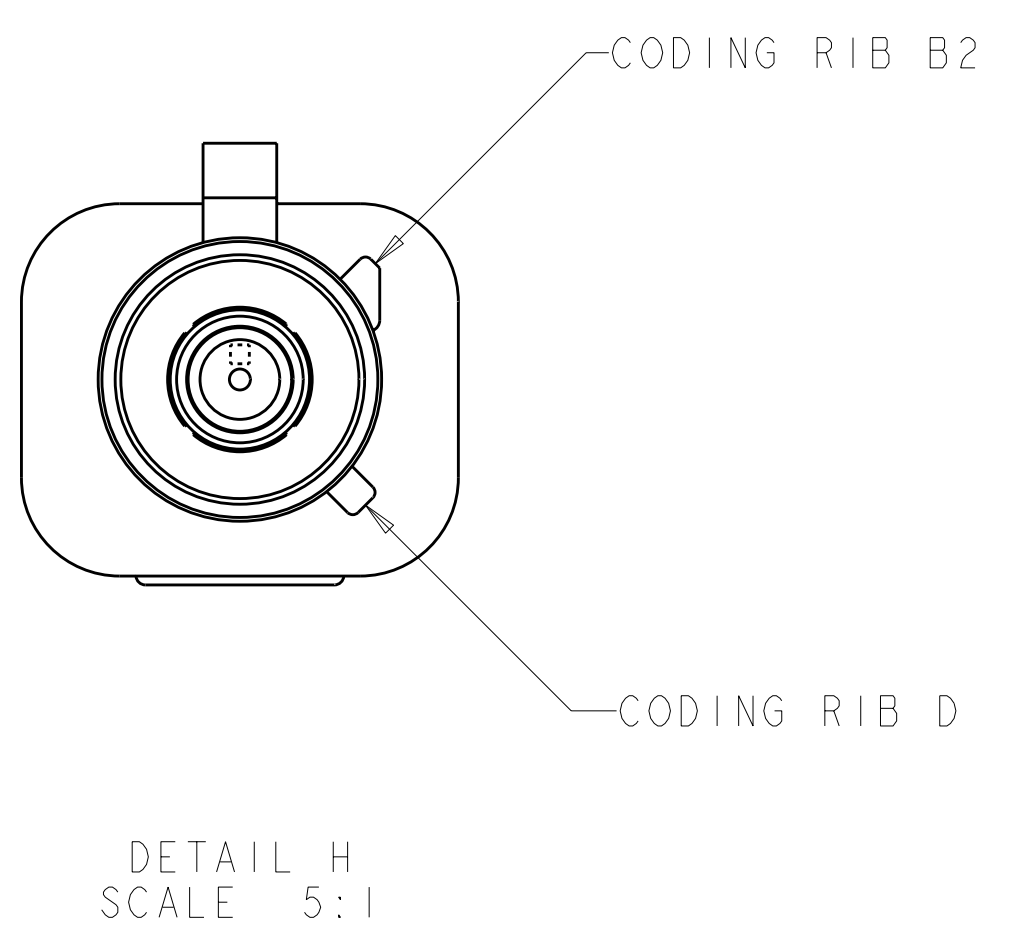
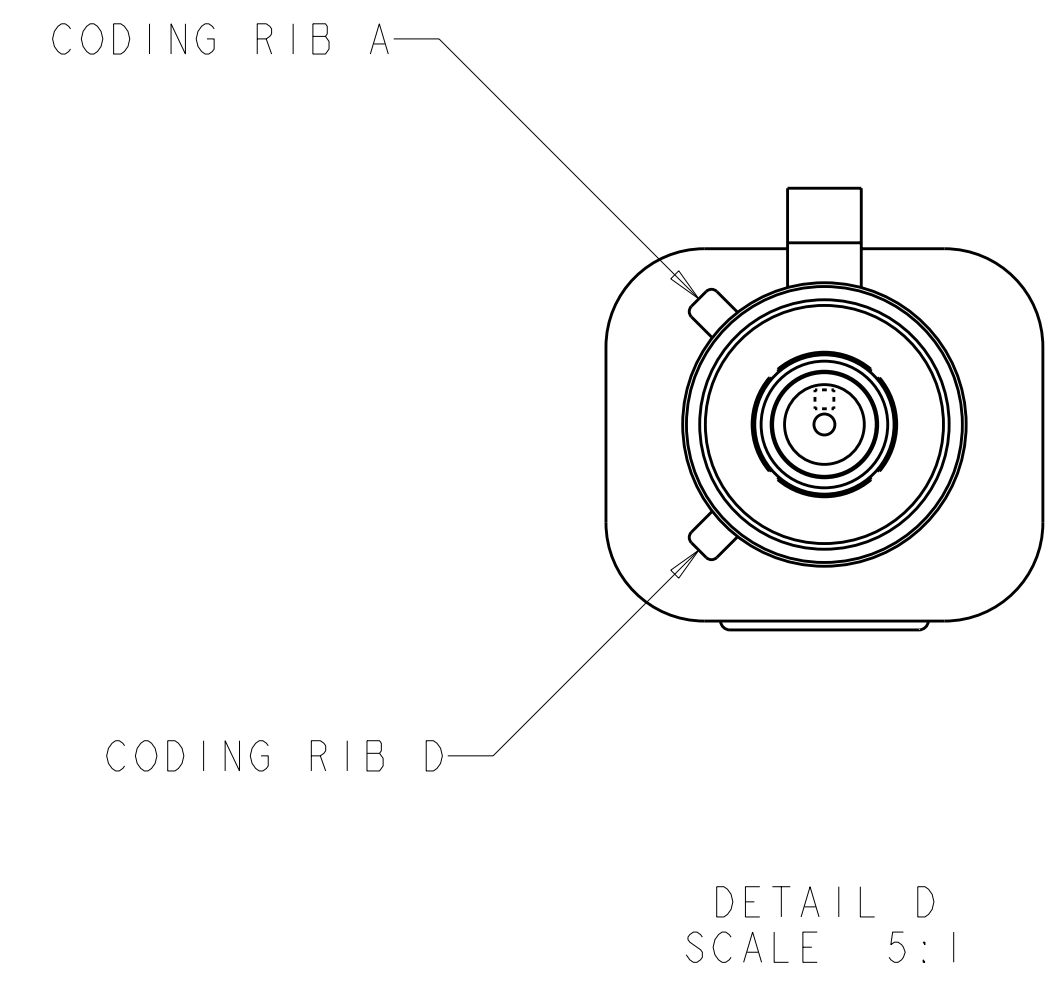
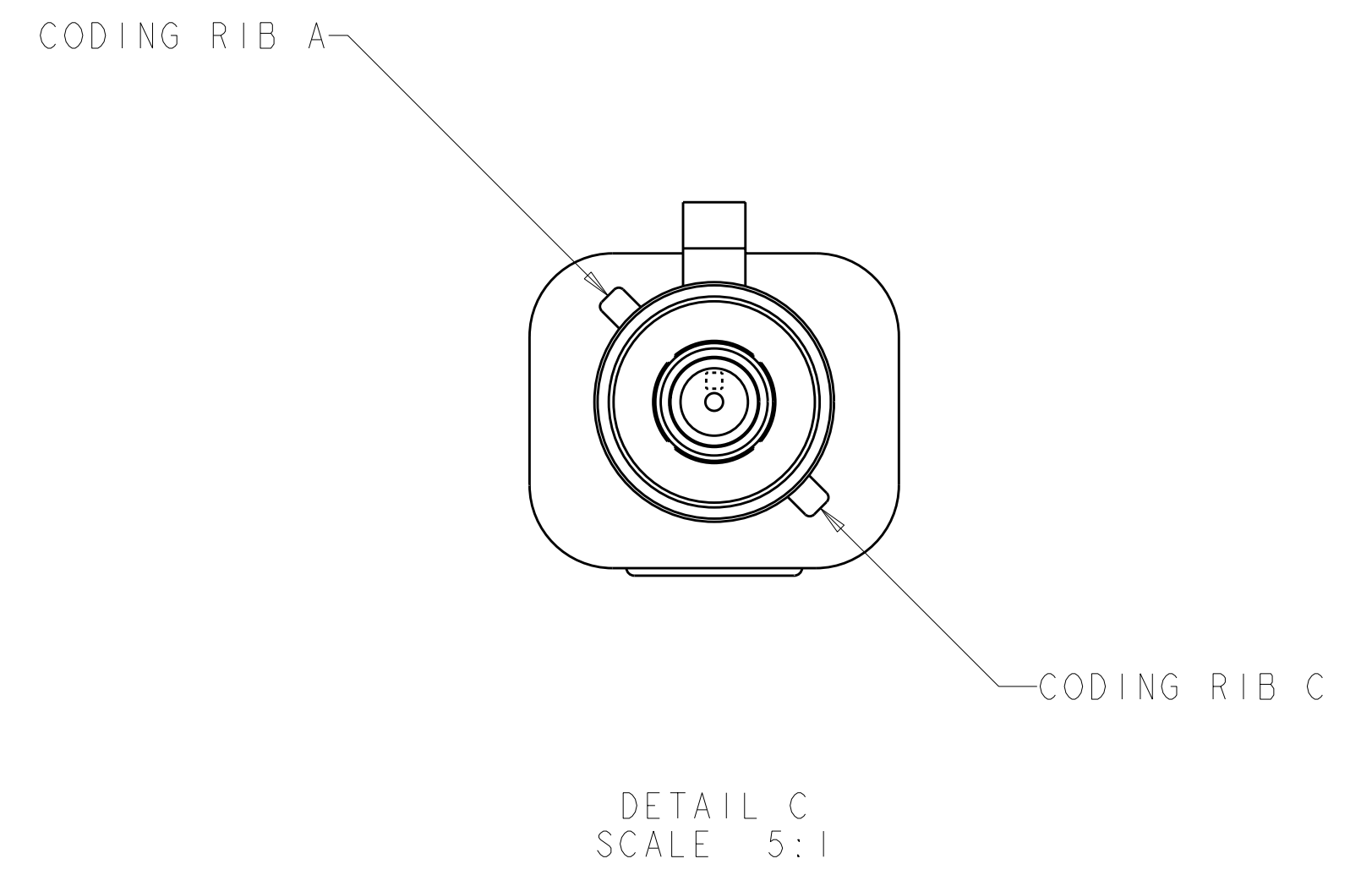
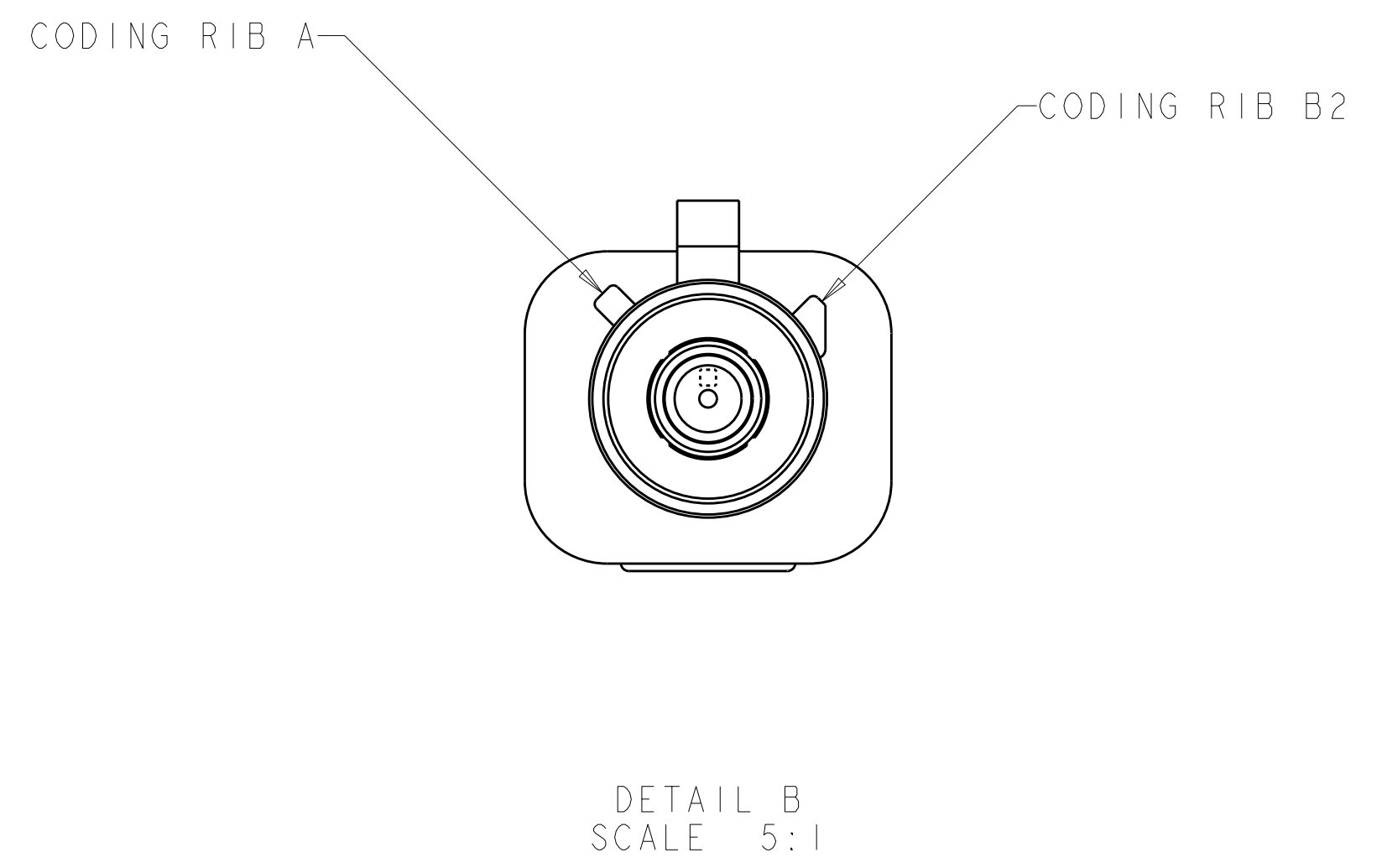
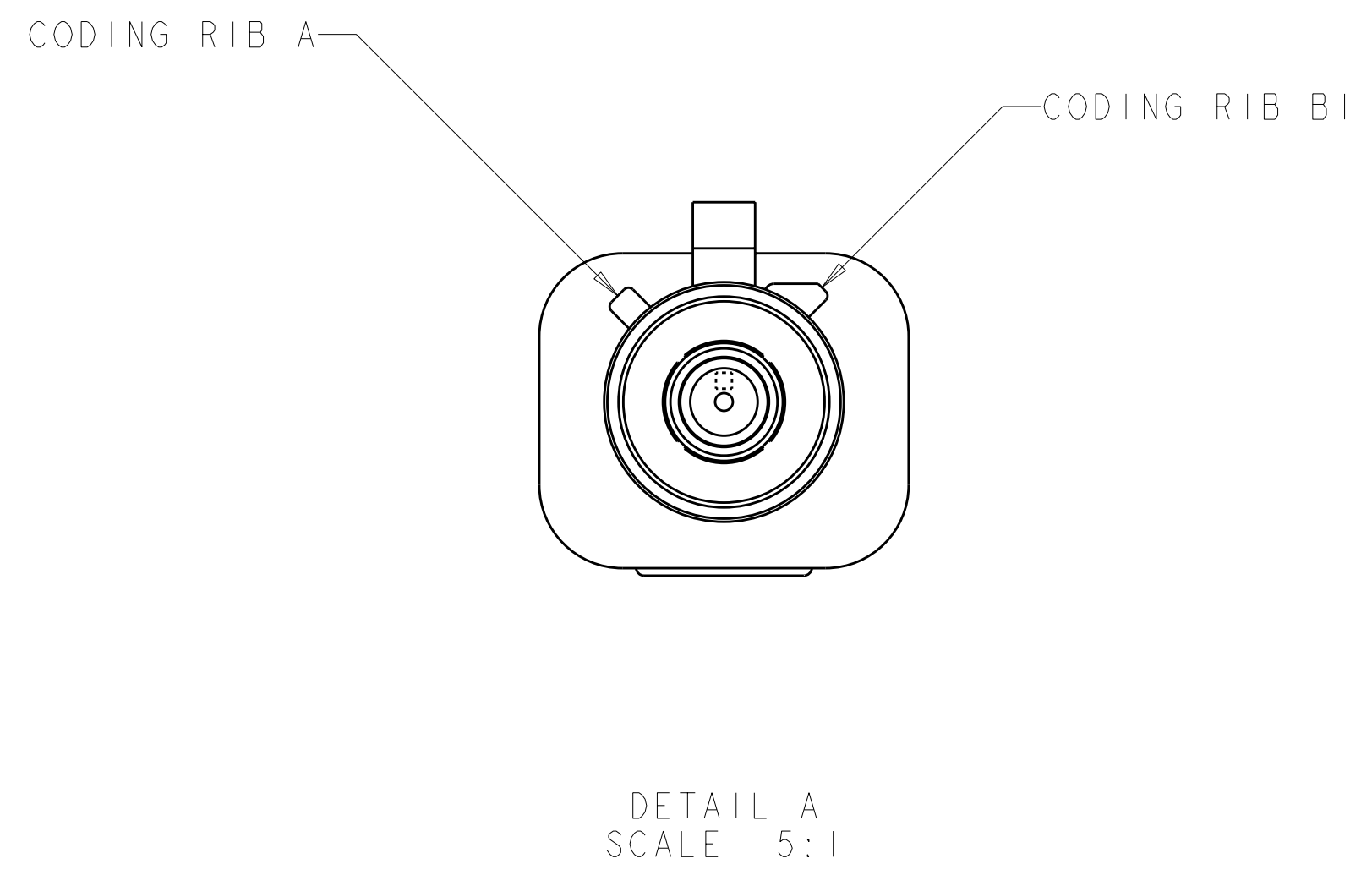


ASSEMBLY	KEYING	CODING	LOCK COLOR	LOCK PART NUMBER	HOUSING COLOR	JACK HOUSING PART NUMBER	PART NUMBER
PER DETAIL Y	PER DETAIL K	K	GRAY	1438894-2	CURRY	1-1438887-0	6-1438960-0
PER DETAIL Y	PER DETAIL H	H	GRAY	1438894-2	HEATHER VIOLET	1438887-8	5-1438960-8
PER DETAIL Y	PER DETAIL D	D	GRAY	1438894-2	CLARET VIOLET	1438887-4	5-1438960-4
PER DETAIL Y	PER DETAIL C	C	GRAY	1438894-2	SIGNAL BLUE	1438887-3	5-1438960-3
PER DETAIL Y	PER DETAIL B	B	GRAY	1438894-2	SIGNAL WHITE	1438887-2	5-1438960-2
PER DETAIL Y	PER DETAIL A	A	GRAY	1438894-2	JET BLACK	1438887-1	5-1438960-1
PER DETAIL X	PER DETAIL K	K	RED	1438888-1	CURRY	1-1438887-0	1-1438960-0
PER DETAIL X	PER DETAIL H	H	RED	1438888-1	HEATHER VIOLET	1438887-8	1438960-8
PER DETAIL X	PER DETAIL D	D	RED	1438888-1	CLARET VIOLET	1438887-4	1438960-4
PER DETAIL X	PER DETAIL C	C	RED	1438888-1	SIGNAL BLUE	1438887-3	1438960-3
PER DETAIL X	PER DETAIL B	B	RED	1438888-1	SIGNAL WHITE	1438887-2	1438960-2
PER DETAIL X	PER DETAIL A	A	RED	1438888-1	JET BLACK	1438887-1	1438960-1

DIMENSIONS: mm 		TOLERANCES UNLESS OTHERWISE SPECIFIED: 9 PLC ± 1 PLC ±0.25 5 PLC ± 4 PLC ± ANGLES ±		DWN: D.J. HARDY 09JUN2005 CHK: J.W. HALL 01SEP2005 APVD: J.W. HALL 01SEP2005		Tyco Electronics Harrisburg, PA 17105-3608	
MATERIAL: - FINISH: -		WEIGHT: -		NAME: JACK KIT, UNASSEMBLED, 1 POSITION, RG-71U/M, FAKRA, SMB PRODUCT SPEC: - APPLICATION SPEC: - 114-13157 00779 ©=1438960		RESTRICTED TO: - SCALE: 4:1 SHEET 1 OF 2 REV: D1	

THIS DRAWING IS UNPUBLISHED. RELEASED FOR PUBLICATION 20
 © COPYRIGHT 20 BY TYCO ELECTRONICS CORPORATION. ALL RIGHTS RESERVED.

LOC		DIST		REVISIONS			
1	N	00		REV	DATE	BY	APPV
-	-	-	-	1	SEE SHEET 1	-	-



<small>THIS DRAWING IS UNPUBLISHED. RELEASED FOR PUBLICATION 2005. ALL RIGHTS RESERVED. THIS DRAWING IS UNPUBLISHED. RELEASED FOR PUBLICATION 2005. ALL RIGHTS RESERVED. THIS DRAWING IS UNPUBLISHED. RELEASED FOR PUBLICATION 2005. ALL RIGHTS RESERVED.</small>		DWN: D.J. HARDY 09JUN2005 CHK: J.W. HALL 01SEP2005 APVD: J.W. HALL 01SEP2005	Tyco Electronics Harrisburg, PA 17105-3608
DIMENSIONS: mm 	TOLERANCES UNLESS OTHERWISE SPECIFIED: 9 PLC ± 8 PLC ±0.25 5 PLC ± 4 PLC ± ANGLES ±	NAME: JACK KIT, UNASSEMBLED, 1 POSITION, RG-71U/M, FAKRA, SMB PRODUCT SPEC: APPLICATION SPEC: 114-13157 WEIGHT:	SIZE: A CAGE CODE: 00779 DRAWING NO: C-1438960 RESTRICTED TO:
MATERIAL: -	FINISH: -	CUSTOMER DRAWING	SCALE: 4:1 SHEET 2 OF 2 REV: D1