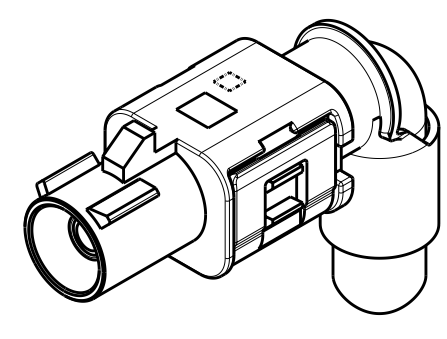
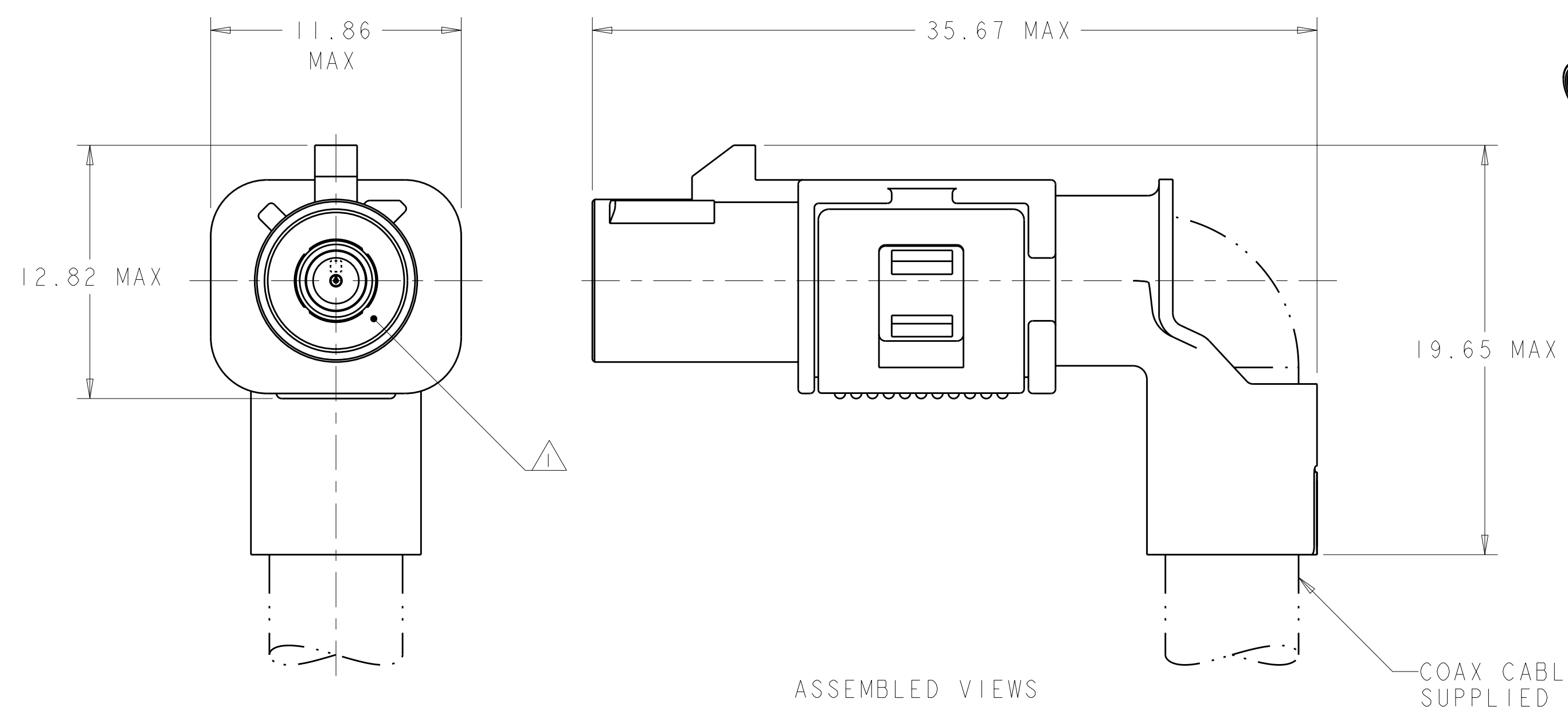
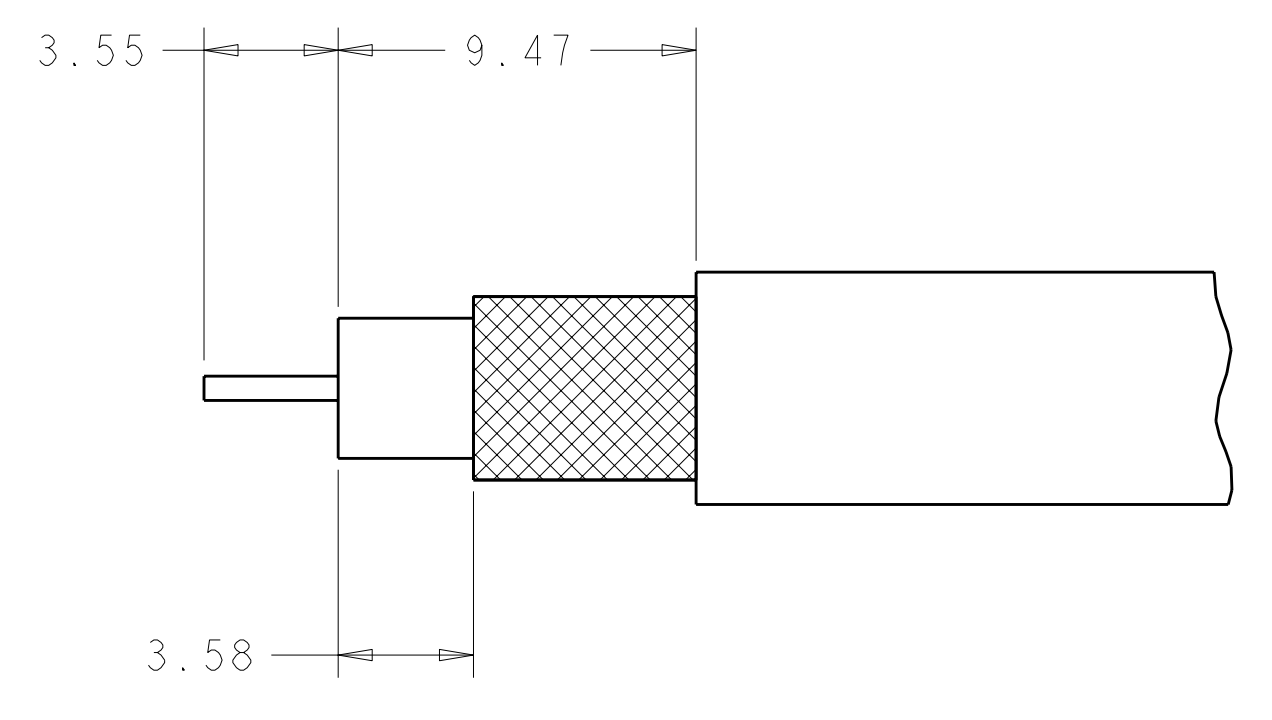
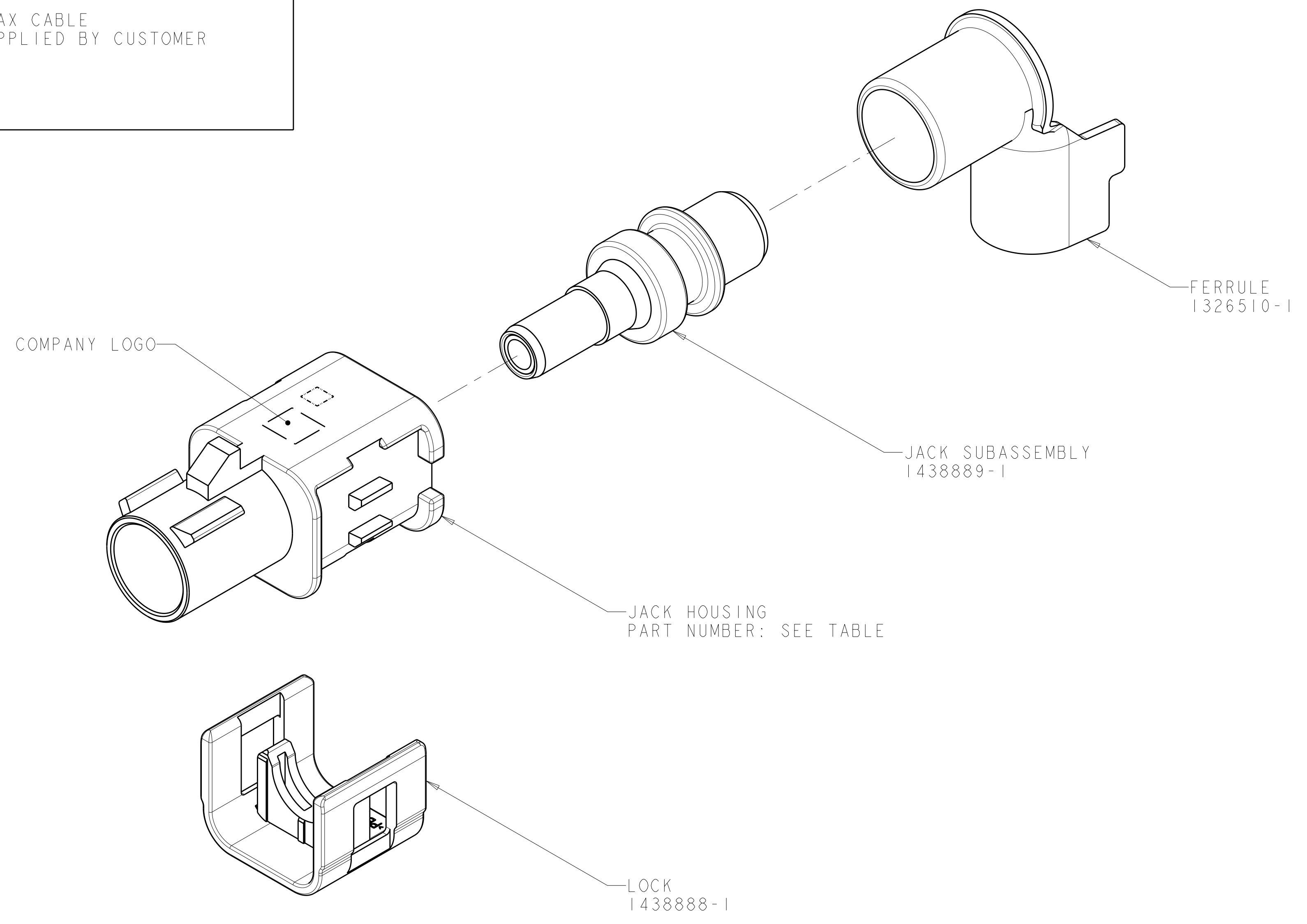


| LOC | DIST | REVISIONS | | | |
|-----|------|-----------|-----------|-----|------|
| | | REV | DATE | BY | APPD |
| IN | 00 | A | 29JUL2005 | DJH | JMR |
| | | B | 05DEC2005 | DJH | JMR |
| | | C | 13MAR2006 | DJH | JMR |
| | | CI | 30JUN2010 | DLD | LLV |



ISOMETRIC VIEW
SCALE 2:1

- ⚠ JACK INTERFACE PER DIN 72594-1, ROAD VEHICLES - RADIO FREQUENCY INTERFACE - DIMENSIONS AND ELECTRICAL REQUIREMENTS.
- JACK SUBASSEMBLY WILL ACCEPT RG-62 COAXIAL CABLE.
 - SEE INSTRUCTION SHEET 408-10028.
 - SPACER 1274233-2 MUST BE PURCHASED SEPARATELY.
 - PIN CONTACT 1438890-4 MUST BE PURCHASED SEPARATELY.



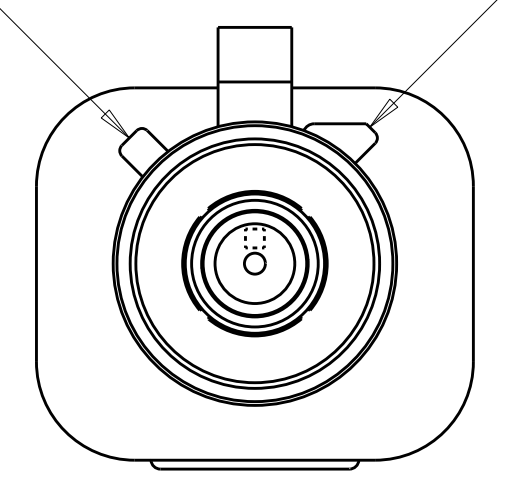
| PER DETAIL | KEYING | CODING | HOUSING COLOR | JACK HOUSING PART NUMBER | PART NUMBER |
|--------------|--------|----------------|---------------|--------------------------|-------------|
| PER DETAIL K | K | CURRY | | 1-1438887-0 | 1-776797-0 |
| PER DETAIL H | H | HEATHER VIOLET | | 1438887-8 | 776797-8 |
| PER DETAIL D | D | CLARET VIOLET | | 1438887-4 | 776797-4 |
| PER DETAIL C | C | SIGNAL BLUE | | 1438887-3 | 776797-3 |
| PER DETAIL B | B | SIGNAL WHITE | | 1438887-2 | 776797-2 |
| PER DETAIL A | A | JET BLACK | | 1438887-1 | 776797-1 |

| | | | | | | | |
|-----------------------|--|--|--|---|--|---|--|
| DIMENSIONS: mm | | TOLERANCES UNLESS OTHERWISE SPECIFIED: 9 PLC ± 1 PLC ±0.25 5 PLC ± 4 PLC ± ANGLES ± FINISH | | DWN: D.J. HARDY 27JUL2005 CHK: J.W. HALL 27JUL2005 APVD: J.W. HALL 27JUL2005 PRODUCT SPEC APPLICATION SPEC 114-13157 WEIGHT CUSTOMER DRAWING | | Tyco Electronics Harrisburg, PA 17105-3608 NAME: JACK KIT, UNASSEMBLED, 1 POSITION, RG-62, 90 DEGREE, FAKRA, SMB SIZE: 00779 C=776797 SHEET 1 OF 2 REV C1 | |
|-----------------------|--|--|--|---|--|---|--|

THIS DRAWING IS UNPUBLISHED. RELEASED FOR PUBLICATION 20
 © COPYRIGHT 20 BY TYCO ELECTRONICS CORPORATION. ALL RIGHTS RESERVED.

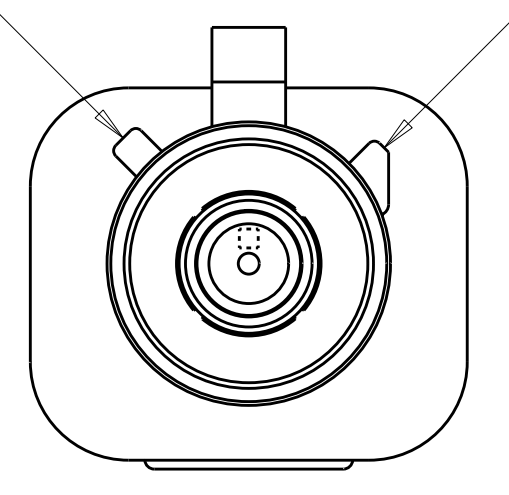
| LOC | | DIST | | REVISIONS | | | |
|-----|-----|-------------|------|-----------|------|--|--|
| P | LTB | DESCRIPTION | DATE | DWN | APVD | | |
| - | - | SEE SHEET 1 | - | - | - | | |
| | | | | | | | |
| | | | | | | | |

CODING RIB A CODING RIB B1



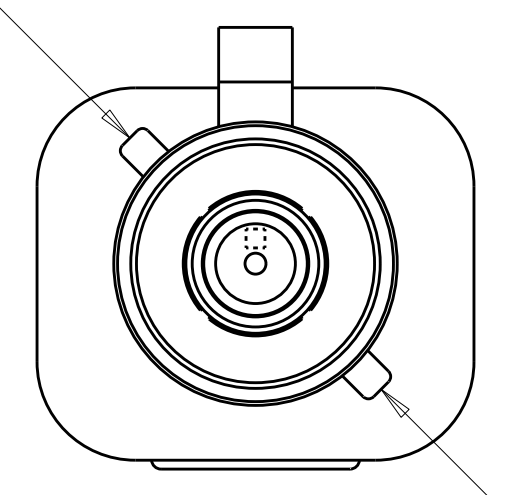
DETAIL A

CODING RIB A CODING RIB B2



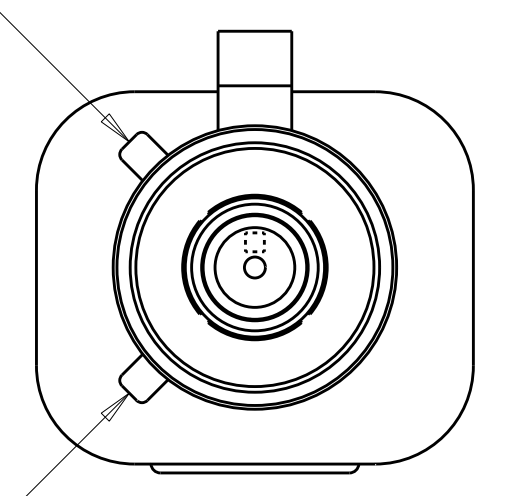
DETAIL B

CODING RIB A CODING RIB C



DETAIL C

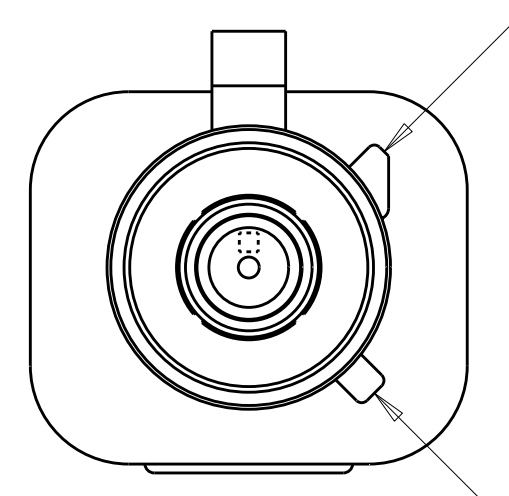
CODING RIB A



DETAIL D

CODING RIB D

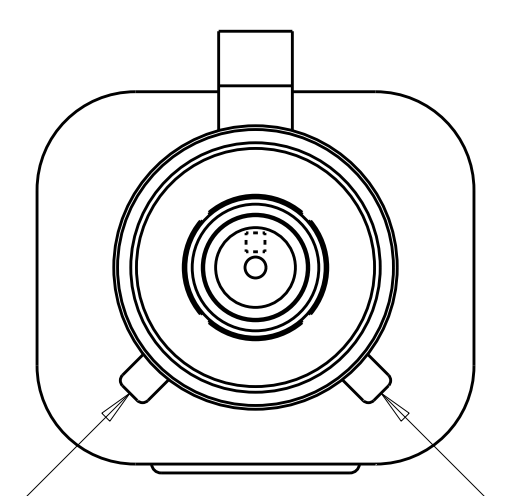
CODING RIB B2



DETAIL H

CODING RIB C

CODING RIB D



DETAIL K

CODING RIB C

| | | | |
|---|--|--|---|
| <small>THIS DRAWING IS UNPUBLISHED. RELEASED FOR PUBLICATION 20 © COPYRIGHT 20 BY TYCO ELECTRONICS CORPORATION. ALL RIGHTS RESERVED.</small> | | DWN D. J. HARDY 27JUL2005 CHK J. W. HALL 27JUL2005 APVD J. W. HALL 27JUL2005 | Tyco Electronics Tyco Electronics Harrisburg, PA 17105-3608 |
| DIMENSIONS: mm | | TOLERANCES UNLESS OTHERWISE SPECIFIED: 9 PLC ± 1 PLC ±0.25 5 PLC ± 4 PLC ± ANGLES ± FINISH | NAME JACK KIT, UNASSEMBLED, 1 POSITION, RG-62, 90 DEGREE, FAKRA, SMB SIZE CAGE CODE DRAWING NO A11 00779 C=776797 RESTRICTED TO |
| MATERIAL - | | WEIGHT - CUSTOMER DRAWING | SCALE 5:1 SHEET 2 OF 2 REV C1 |