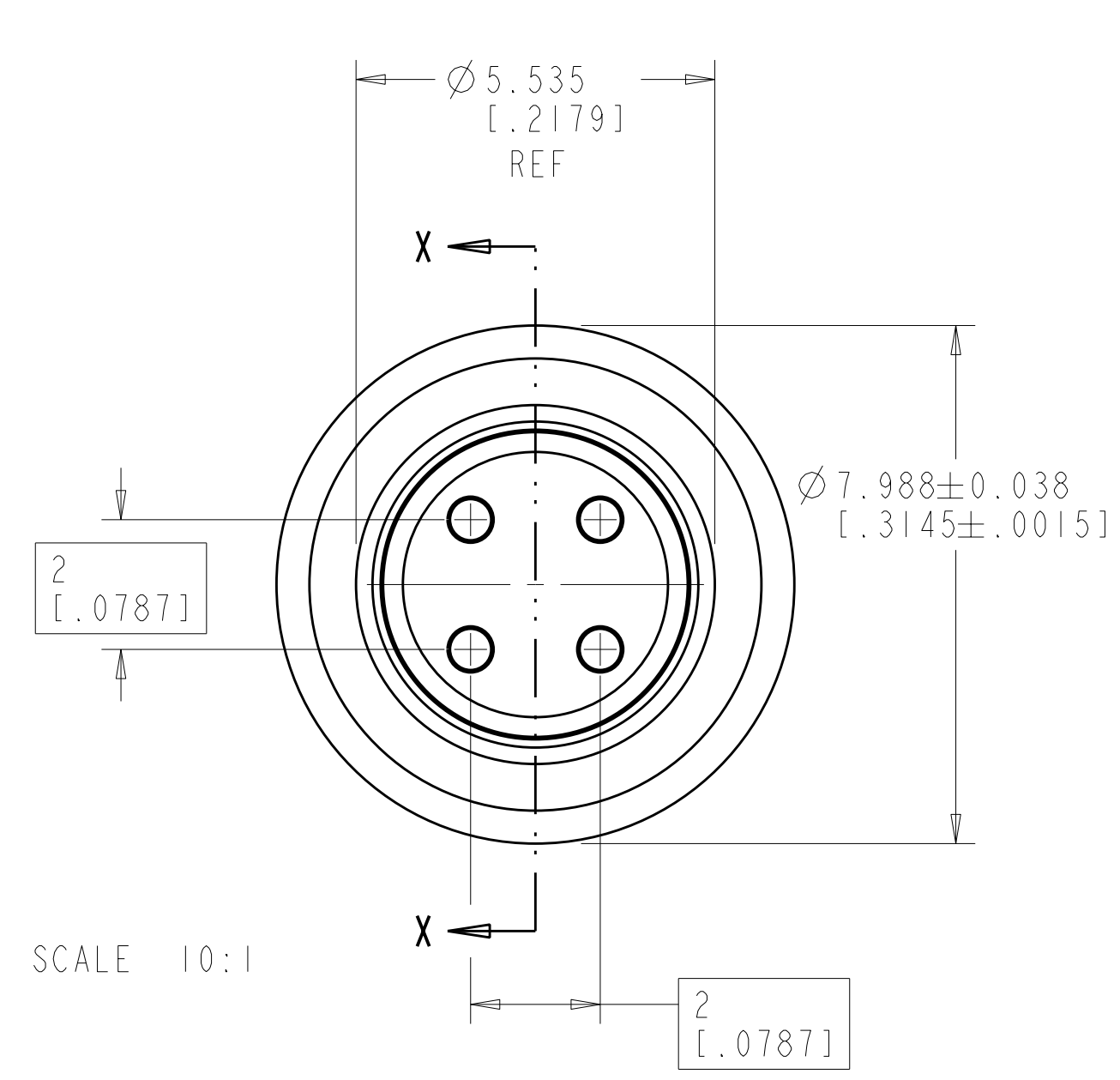
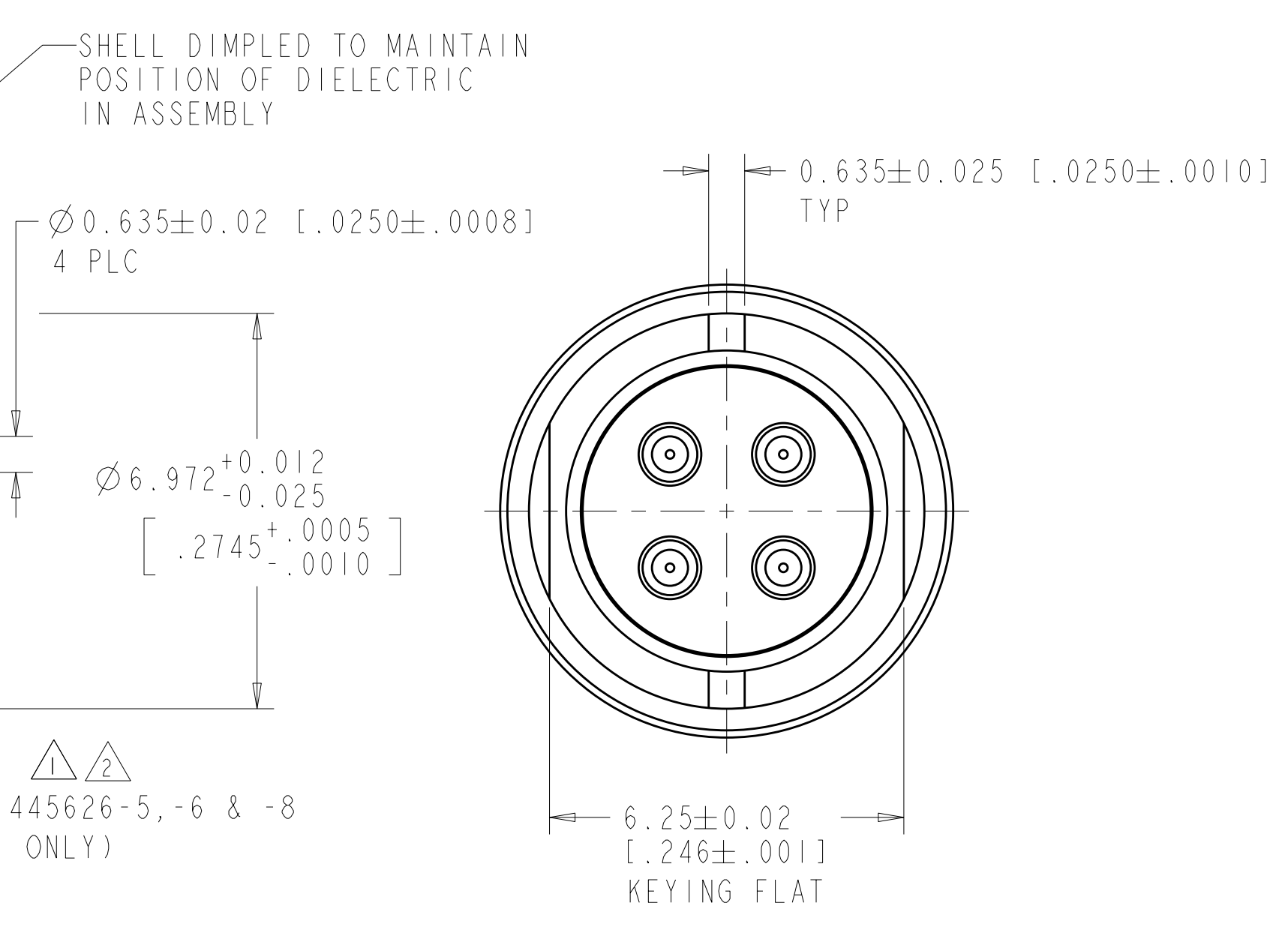
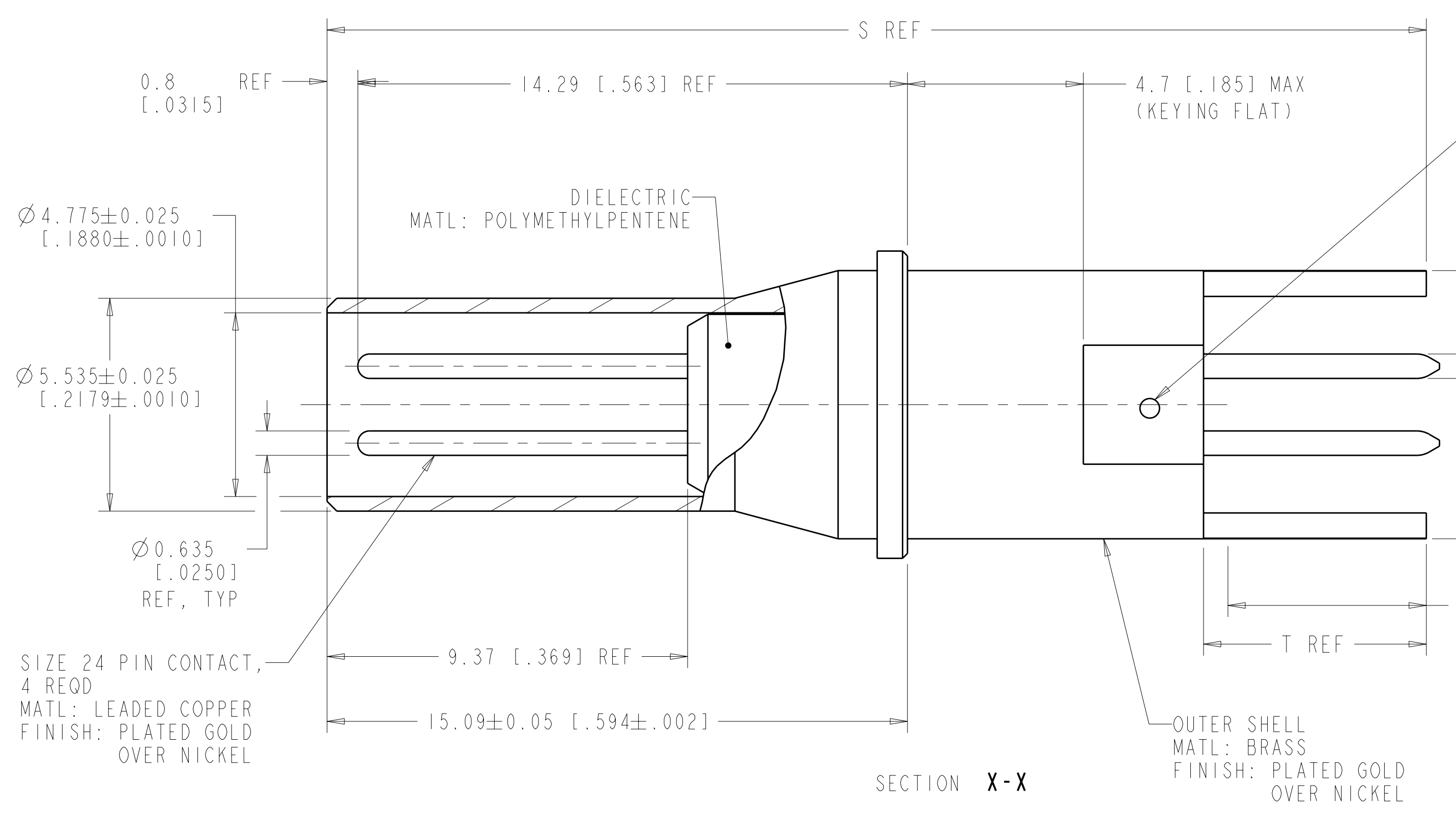


| LOC | DIST | REV | DATE | BY | APPD |
|-----|------|-----|--------|----|------|
| | | K | 2-7-12 | CT | DM |

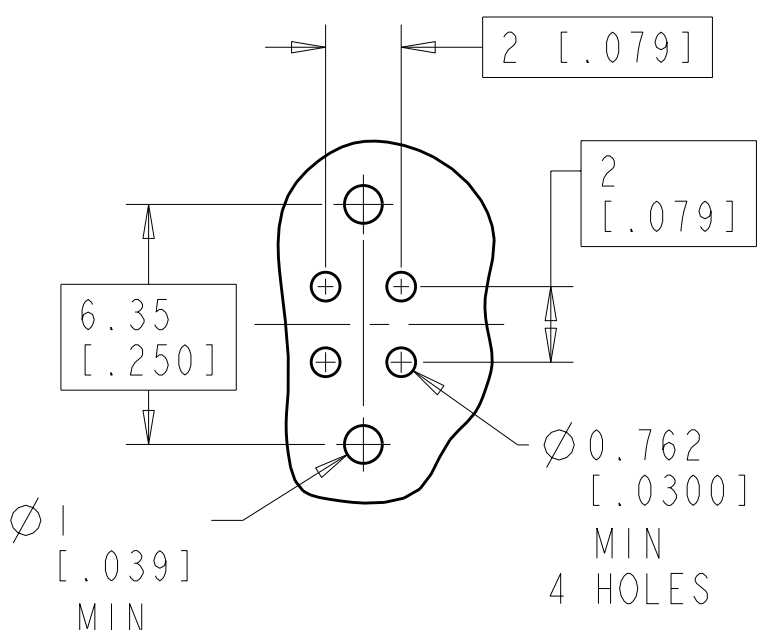
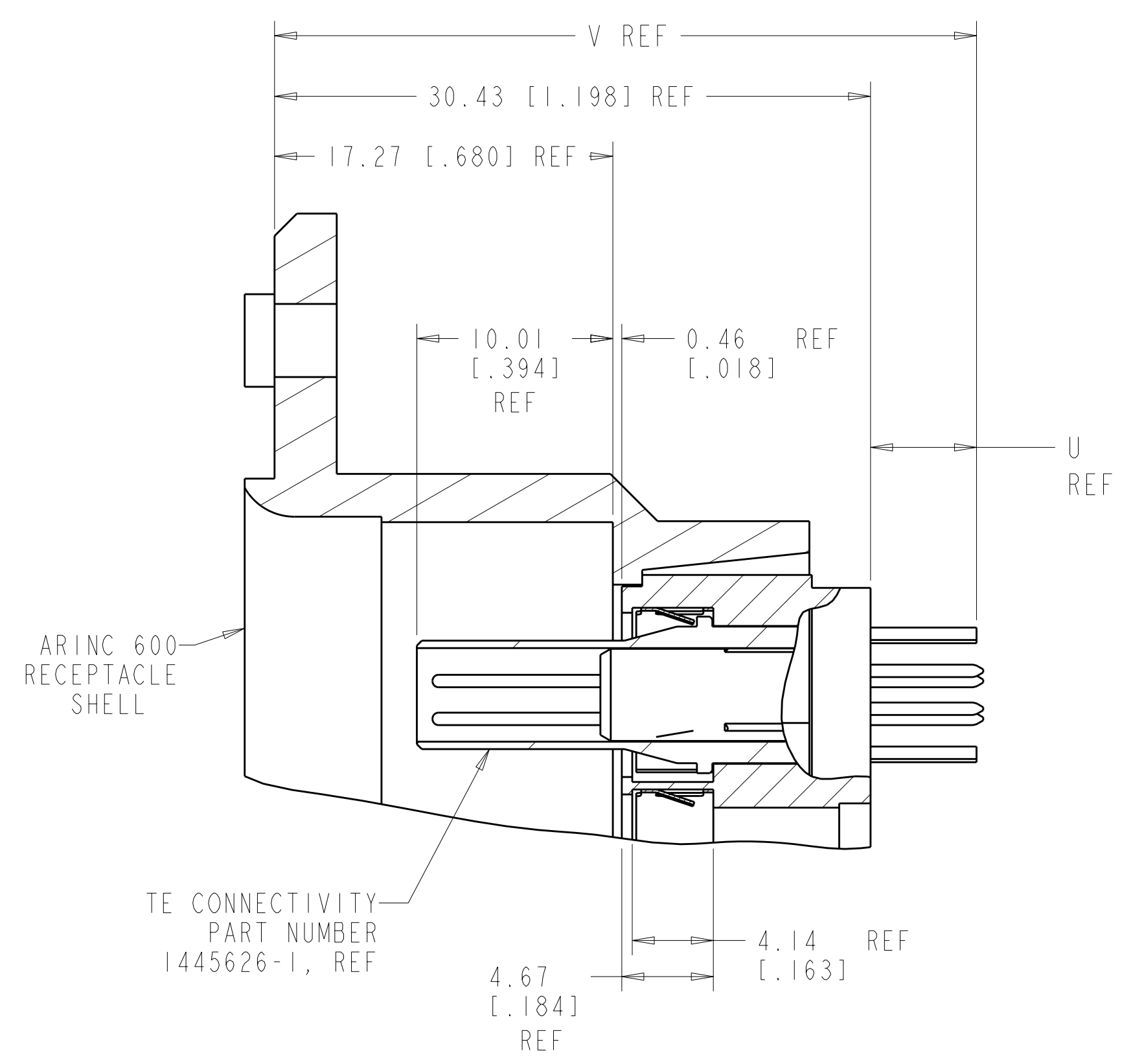
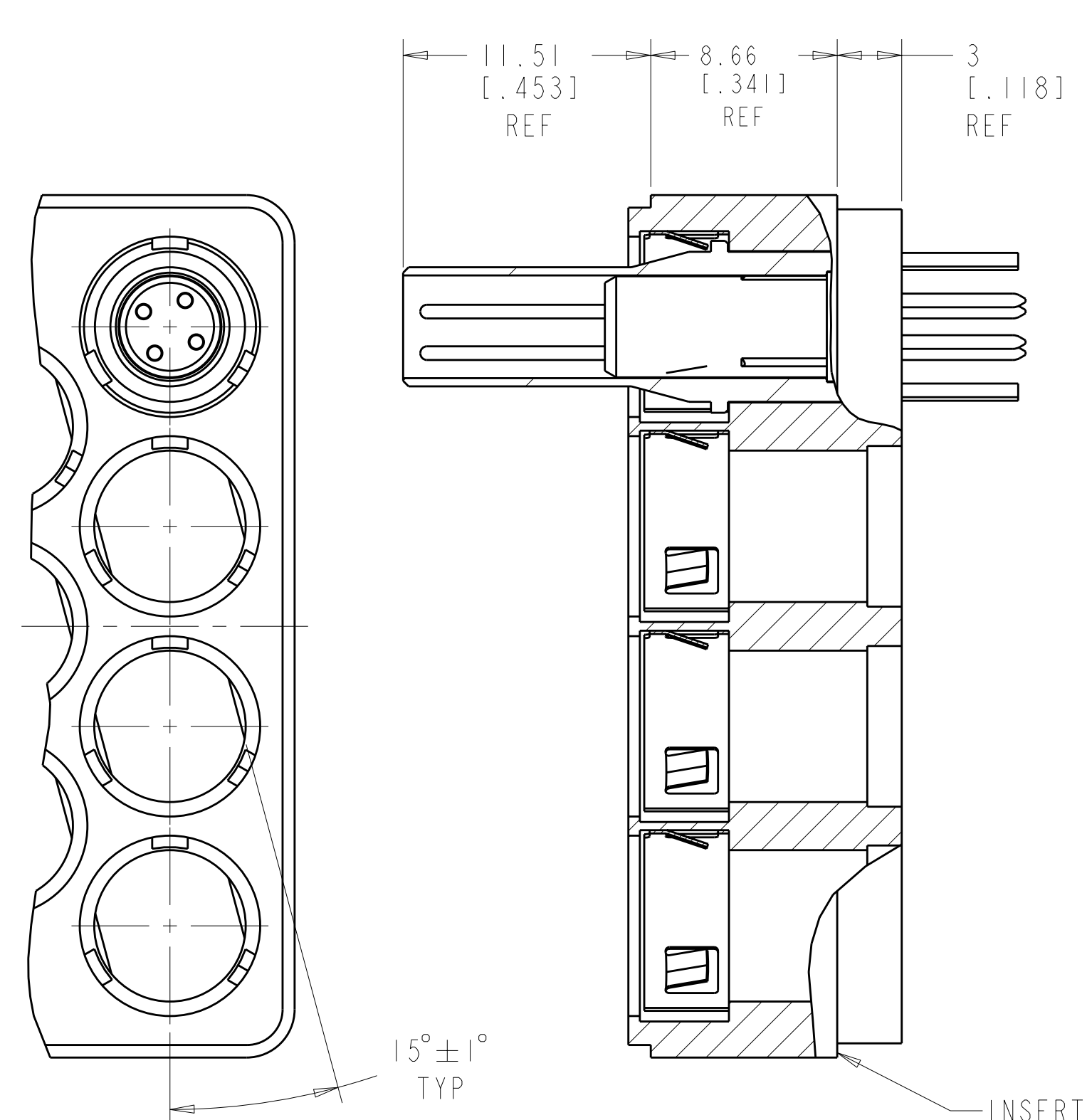


SCALE 10:1



△ THIS AREA SOLDER DIPPED. SOLDER TAIL DIMENSIONS APPLY PRIOR TO SOLDER DIP.
 △ SOLDER IS RoHS COMPLIANT Sn.

3. CHARACTERISTIC IMPEDANCE: 100 OHMS NOMINAL



QUADRAx PIN ASSY, 1445626-1, SHOWN INSTALLED IN ARINC 664, SIZE 2 INSERT WITH SIZE 8, FRONT RELEASE, FRONT REMOVABLE CAVITY

INSERT RETAINER PLATE BUTTS ON THIS SURFACE

| V REF | U REF | T REF | S REF | DESCRIPTION | PART NO. |
|---------------|--------------|---------------|---------------|---|-------------|
| 37.49 [1.476] | 7.06 [1.278] | 8.25 [1.325] | 30.25 [1.191] | SAME AS 1445626-9 EXCEPT TAILS ARE SOLDER DIPPED △ | 1-1445626-0 |
| 37.49 [1.476] | 7.06 [1.278] | 8.25 [1.325] | 30.25 [1.191] | SAME AS 1445626-1 EXCEPT WITH .278 SOLDER TAIL LENGTH | 1445626-9 |
| 39.95 [1.573] | 9.52 [1.375] | 10.72 [1.422] | 33.50 [1.319] | SAME AS 1445626-2 EXCEPT TAILS ARE SOLDER DIPPED △ | 1445626-8 |
| 35.84 [1.411] | 5.41 [1.213] | 5.79 [1.228] | 28.58 [1.125] | SAME AS 1445626-1 EXCEPT TAILS ARE SOLDER DIPPED △ | 1445626-6 |
| 36.78 [1.448] | 6.35 [1.250] | 7.54 [1.297] | 30.33 [1.194] | SAME AS 1445626-4 EXCEPT TAILS ARE SOLDER DIPPED △ | 1445626-5 |
| 36.78 [1.448] | 6.35 [1.250] | 7.54 [1.297] | 30.33 [1.194] | SAME AS 1445626-1 EXCEPT WITH .250 SOLDER TAIL LENGTH | 1445626-4 |
| 34.65 [1.364] | 4.2 [1.166] | 4.60 [1.181] | 27.38 [1.078] | SAME AS 1445626-1 EXCEPT WITH .166 SOLDER TAIL LENGTH | 1445626-3 |
| 39.95 [1.573] | 9.52 [1.375] | 10.72 [1.422] | 33.50 [1.319] | SAME AS 1445626-1 EXCEPT WITH .375 SOLDER TAIL LENGTH | 1445626-2 |
| 35.84 [1.411] | 5.41 [1.213] | 5.79 [1.228] | 28.58 [1.125] | PER ARINC 664 STANDARD; | 1445626-1 |

THIS DRAWING IS A CONTROLLED DOCUMENT. DWG: Brent D. Toth, JAN2004; CHK: W.H.BERNHART, JAN2004; APPD: W.H.BERNHART, JAN2004.

| | | | |
|-----------------------|--|------------------|---|
| DIMENSIONS: mm [INCH] | TOLERANCES UNLESS OTHERWISE SPECIFIED: | PRODUCT SPEC | NAME: ASSEMBLY, PIN, QUADRAx, 2mm SO, FRONT RELEASE-FRONT REMOVABLE, ADN, WITH PIN CONTACTS |
| 9 PLC ±.01 | 1 PLC ±0.2 [1.008] | APPLICATION SPEC | SIZE: 114-13123 |
| 5 PLC ±0.13 [1.005] | 4 PLC ±0.05 [1.002] | WEIGHT | RESTRICTED TO |
| 4 PLC ±.01 | ANGLES ±.01 | CUSTOMER DRAWING | SCALE: 3:2 SHEET 1 OF 1 REV K |